

Unterlagen
für
Bahnschiedsrichter
beim
Team Racing

ISAF - Unterlagen

Was ist wo?

Seiten 3 bis 113

CALL BOOK

Seiten 114 bis 124

2010 supplements to

Seiten 125 bis 191

Umpires and Team Racing Manual



CALL BOOK FOR TEAM RACING
2009 - 2012

REVISED NOVEMBER 2009

INTERNATIONAL SAILING FEDERATION
WWW.SAILING.ORG

The
CALL BOOK
for TEAM RACING
for 2009 – 2012

Updated November 2009

International Sailing Federation
November 2008

First edition: July 2001
Second edition: February 2002
Third edition: December 2004
Fourth edition: November 2008 + updates

© International Sailing Federation
Isle of Man
All rights reserved

Foreword

Team Racing continues to develop as an important part of our sport. Sailed in dinghies or keel-boats, it attracts all ages and experiences, from school and junior squad sailors at local events to World and Olympic Champions. Its pinnacle is the biennial ISAF Team Racing World Championships.

The Call Book has been developed and refined with input from sailors and umpires alike due to the need for as much consistency as possible in responding to on the water protests. The aim of the Call Book is to help resolve any doubt amongst sailors and umpires about situations referred to in the Call Book.

This latest edition updates calls to reflect the 2009-2012 Racing Rules of Sailing and also introduces new calls and fine-tunes the existing text.

It is important to note that this Call Book, like previous editions, is only authoritative for Team Racing.

The ISAF Racing Rules Committee trusts that competitors and umpires will continue to provide input to the Racing Rules Committee for further development of the Call Book.

Readers with comments and suggestions are invited to send them to the ISAF Secretariat.

David Tillett
Chairman
ISAF Racing Rules Committee
November 2008

Preface

This is the fourth edition of the ISAF Call Book for Team Racing. It has been edited to reflect the changes in the Racing Rules of Sailing for 2009 – 2012 and in particular the rules of Appendix D. Special thanks to members of the Match & Team Racing Rules Working Party: Chris Atkins, Bruce Hebbert, Rob Overton, John Standley and Richard Thompson for their help in updating this book.

Whilst most of the changes are simply changes in references, there are some significant game changes involved and sailors and umpires are well advised to study the new call book in detail!

The following is an incomplete list of changes:

- Calls B5, D9, D10 and E9 are deleted. When a call is deleted, the numbers of remaining calls do not change. However, a new call may be inserted using the call number of a deleted call.
- New calls in this edition of the call book are D9, D10, J6, J7, L6, M7 and M8. They have all been submitted through the rapid response system and subsequently approved by the ISAF Racing Rules Committee.
- The decisions in calls B6, B8, E2, E6, F2 and L2 are completely or partially changed.
- In addition, there are significant changes in calls A6, E1, E3, E5, E7, E8, G6, H1, H2, H4, J2, J3, J4, J5, M1 and M2.

The purpose of this call book is to define, for umpires and competitors, how incidents will be called in Team Racing.

The calls have been split into sections associated with progress around the course, citing typical incidents in the order they are likely to occur and explaining the rules that are applicable. As a result, some calls are simpler than others, and some include repetitions from earlier explanations. While calls are printed in one section only, this does not mean that they do not apply at other times. Many calls (e.g. those in the prestart section) will apply at all times.

Diagrams are limited to 2-dimensional snapshots of each situation. They cannot show wind strength, the waves, the heel and speed of boats and all the many other things that contribute to a real-life scenario. They should therefore not be used too literally, but rather as a tool to help recognise quickly and clearly the situation being addressed.

The calls in this book cannot cover every possible incident. As new tactics are developed, new calls will be required. Should reading this call book, or an incident on the water, stimulate you to comment or propose an additional call, please send an email to ISAF at sail@isaf.co.uk. If there's an incident that you are unsure of, then perhaps it should be written up and submitted as a new call.

The publishing of the Call Book is governed by ISAF regulation 31. This means that it is authoritative for team racing only. It also means that changes can only be made through the same submission procedures as changes to the rules themselves.

ISAF regulations provide for a system with Rapid Response Team Racing Calls. Calls proposed under this system should be presented in a form similar to existing calls, and sent to the ISAF office in Southampton. A call approved as a Rapid Response Call will be immediately communicated to all IU's, and MNA's. In addition it will be posted on the ISAF website www.sailing.org.

The Match & Team Racing Rules Working Party will make recommendations on submitted calls and approved Rapid Response Calls to the Racing Rules Committee November meeting each year.

I welcome any comments for improvement of this Call Book.

Marianne Middelthon, Chairman
Match & Team Racing Rules Working Party
November 2008

Note: This file has been updated to include new calls and edits and updates to existing calls following the ISAF Conference November 2009.

The following calls are either new or amended: E9, E10, E11, E12, E13, J8 and L4.

INDEX TO CALL BOOK

Section	Topic
Introduction	General Principles for Umpire Decisions
A	Definitions and Fundamentals
B	Prestart
C	The Start
D	Windward Leg
E	Windward Mark
F	Reaching
G	The Run
H	The Gybe Mark
J	The Leeward Mark
K	The Finish
L	Other Rules
M	The Umpiring Process

Index of Rules (in Call Titles)

Notes on the text

1. With the exception of certain calls in Section M, the calls assume that the protest flag and hail, and umpire flag and hail, have been made in accordance with the rules.
2. Some calls highlight important principles in the rules. For ease of reference, these clarifications are printed in italics at the end of the call.
3. Boat shading is used to differentiate between teams. Boats A, B, C are shaded white and are on one team, and X, Y, Z are shaded grey and are on the other.
4. When boats are already overlapped at position 1 in a call, the phrase 'A has no proper course restriction' is used to show that A is not subject to rule 17 and may sail above her proper course. The alternative is 'A is subject to rule 17'.
5. Unless otherwise indicated, the wind is blowing from the top of the diagram.
6. The calls refer to 'umpires' making decisions. Whilst it is normal to have two umpires in an umpire boat, there is no requirement for this and the calls apply equally when there is only one umpire.

GENERAL PRINCIPLES FOR UMPIRE DECISIONS

Four general principles apply to umpire decisions:

1. 'Last Point of Certainty'

There are many occasions when umpires are required to judge (often from imperfect positions) the exact moment when the state of a boat, or her relationship with another boat, changes. Examples include passing head to wind or establishing an overlap.

In such cases the umpires will assume this state or relationship has not changed until they are certain that it has changed.

2. Disagreement between Umpires

There are occasions when umpires disagree over what the decision should be. In such cases, even if there has been contact, the umpires will signal 'no penalty' rather than penalize one boat or other.

3. Rule 14: Avoiding Contact

Any incident involving contact will also involve rule 14. However, when the umpires decides that a boat required to keep clear or give room is to be penalized for breaking another rule of Part 2, a breach of rule 14 will not result in an additional penalty unless there is damage. Except in this case, rule 14 has no impact on the immediate umpire decision, and is therefore not addressed separately in each call in this book.

4. Definition: Room, and meaning of 'in a seamanlike way'

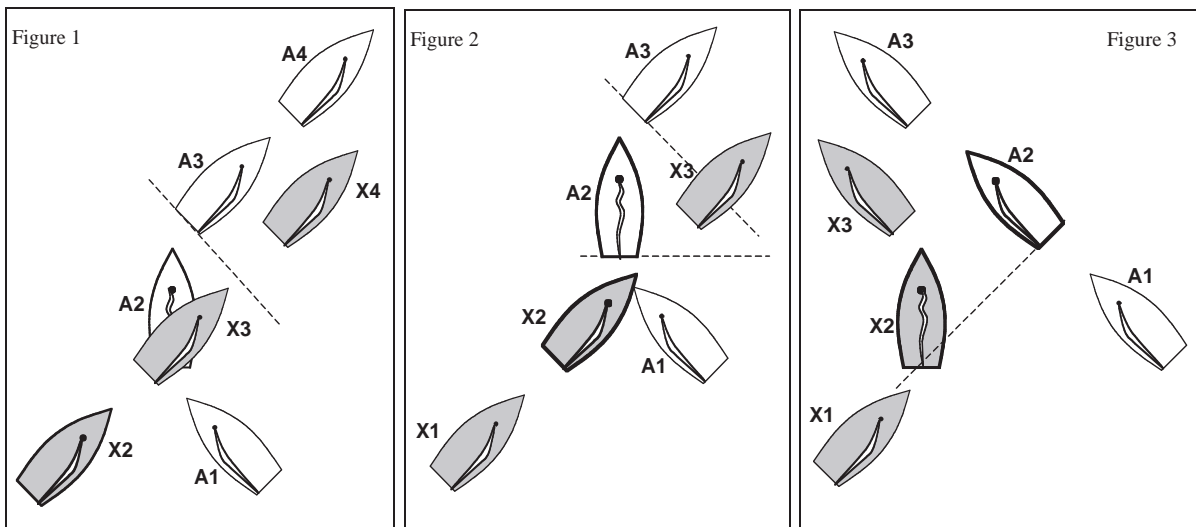
ISAF Case 21 states that 'extraordinary' and 'abnormal' manoeuvres are unseamanlike. Some actions that are abnormal and therefore unseamanlike in a fleet of many boats will be considered normal and therefore seamanlike in a team race. However any manoeuvre that puts a boat or crew at risk of damage is unseamanlike. The umpires will judge each incident on the basis of the boat's actions in relation to the wind and water conditions she is experiencing at the time.

CALL A1

Rule 13 **While Tacking**
Rule 17 **On the Same Tack; Proper Course**

Question

On a windward leg, an overlap is established while one boat is tacking or shortly thereafter. Under which of the following conditions is X, the leeward boat, permitted to sail above her proper course?



Answer

- Figure 1: Overlap established from clear astern - X does not acquire luffing rights. A completes her tack at position 3, when she is clear ahead of X. Shortly thereafter X establishes an overlap from clear astern and will break rule 17 if she sails above her proper course during this overlap, and while the boats remain within two lengths of each other, unless in doing so she promptly sails astern of A.
- Figure 2: Overlap established from clear astern - X acquires luffing rights. The moment A passes head to wind in position 2 the boats are on the same tack, but not overlapped. The overlap is established before A reaches a close-hauled course - i.e. while A is subject to rule 13. Therefore rule 17 does not apply and X may sail above her proper course.
- Figure 3: Overlap established 'instantaneously'. At position 2, when X passes through head to wind, both boats are on the same tack and overlapped. As neither boat established this overlap from clear astern, the overlap is said

to be 'instantaneous'. Rule 17 does not apply and X may sail above her proper course.

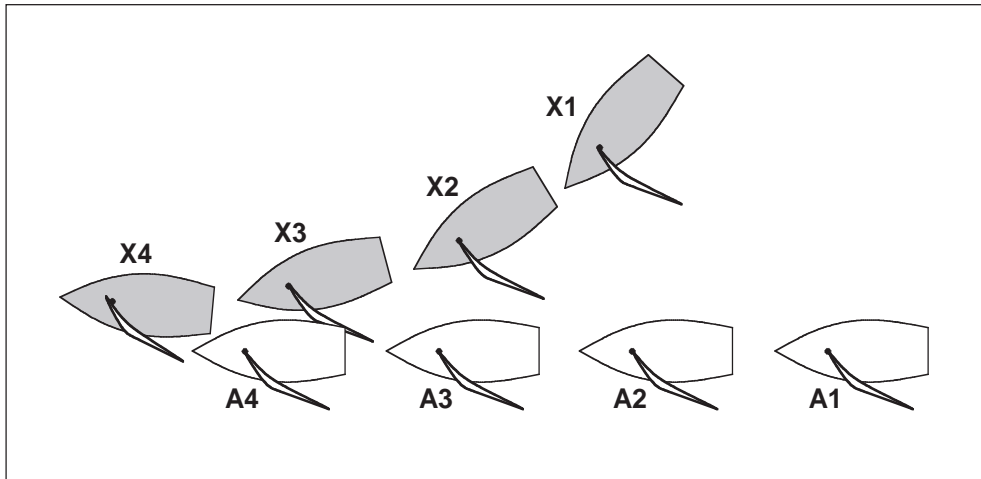
A tacking boat changes tack the moment she passes head to wind. However, she is keep-clear boat subject to rule 13 from the moment she passes head to wind until she is on a close-hauled course. If another boat becomes overlapped to leeward of her from clear astern during that period, rule 17 does not apply and the leeward boat may sail above her proper course - i.e. she has 'luffing rights'.

CALL A2

Rule 11 **On the Same Tack, Overlapped**
Definitions **Keep Clear**

Question

X closes on A from windward. When is X no longer keeping clear of A?



Answer

X is keeping clear of A when A can both sail her course with no need to take avoiding action and, because they are on the same tack and overlapped, change course in both directions without immediately making contact.

At positions 1 & 2: X is keeping clear.

At position 3: if A luffs, there will be contact but not immediately, so X is still keeping clear.

At position 4: A cannot change course to windward without immediately making contact with X. X is no longer keeping clear, and would be penalized under rule 11 if A were to protest, whether or not the boats make contact.

At any moment, a boat's course (as that term is used in Part 2 and the Definitions) means the direction in which her bow is pointing. It does not mean her proper course, nor the course she could be expected to be sailing shortly.

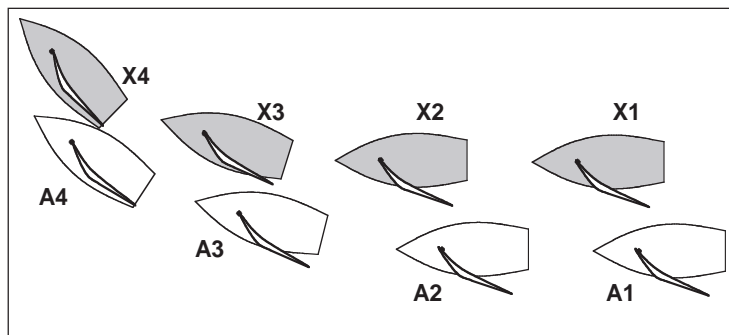
There does not need to be contact for a boat to fail to keep clear.

CALL A3

Rule 11 **On the Same Tack, Overlapped**
Rule 16.1 **Changing Course**
Definitions **Keep Clear**

Question

A and X are overlapped, sailing parallel courses, with about $\frac{1}{2}$ boat's width between them. A has no proper course restriction. Just before position 3 A luffs slowly and X promptly responds. A continues to luff and there is no longer any means of X avoiding A. X tries to keep clear by luffing and there is contact. A protests. What should the call be?



Answer

Positions 1 and 2: X is keeping clear because she is sufficiently far from A that A is able to change course in both directions without immediately making contact.

Position 3: After A's first change of course, X still has room to keep clear. X must, promptly and in a seamanlike way, do whatever she can to establish sufficient distance between her and A so that she is keeping clear. If X does this she is protected by rule 16.1.

Between 3 and 4: A continues to change course, and X is no longer able to keep clear. A breaks rule 16.1. Penalize A.

If A continues to luff and X continues to respond promptly and in a seamanlike way to each luff, A will ultimately have to stop luffing when the boats are so close that any further luff from A will result in X being unable to keep clear. If A does stop luffing at such a time, and X continues to respond to keep clear, neither boat breaks a rule.

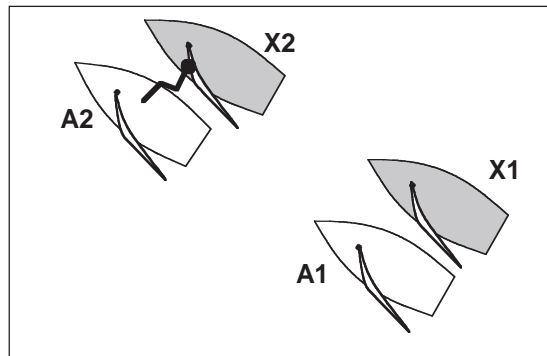
A boat that is required to keep clear must promptly take any opportunity to keep clear when a right-of-way boat changes course, but does not normally have to anticipate any change of course by a right-of-way boat.

CALL A4

Rule 2 **Fair Sailing**
Rule 11 **On the Same Tack, Overlapped**
Rule 16.1 **Changing Course**
Definitions **Keep Clear**

Question

X and A are small dinghies sailing to windward with a small gap between them. A squall hits the boats and A's crew leans out, touching X's leeward gunwale with his body. X protests. What should the call be?



Answer

Penalize X under rule 11. Boat A does not change course. A's actions are consistent with seamanlike sailing in the existing conditions, and X fails to meet her obligations as keep clear boat.

If A's actions are inconsistent with seamanlike sailing in the existing conditions, and are solely designed to cause contact, she breaks rule 2, Fair Sailing.

(See also ISAF Cases 73 and 74.)

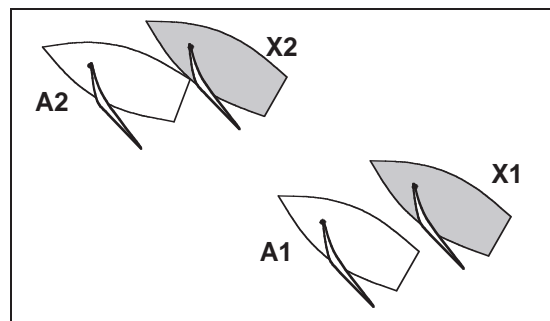
A boat changes course when she changes her compass bearing. Leaning out, slowing, and heeling the boat are not changing course.

CALL A5

Rule 11 **On the Same Tack, Overlapped**
Rule 16.1 **Changing Course**
Definitions **Keep Clear**

Question

A and X are sailing parallel courses with very little distance between them. A bears away and her stern hits X. A protests. What should the call be?



Answer

The umpires will consider how close two boats may sail in the prevailing conditions such that the leeward boat can both luff and bear away without immediately making contact with the windward boat, and also how the two boats came to be this close.

- Case 1: When X has had an opportunity to keep clear but is sailing so close to A that any luff or bear away by A will immediately result in contact, X fails to keep clear and breaks rule 11. Penalize X.
- Case 2: If X is not keeping clear, but the boats came to be this close as a result of A's earlier alteration of course, to which X responded promptly, and X has since not had an opportunity to increase the distance between the boats, then A breaks rule 16.1, penalize A.
- Case 3: If X is keeping clear and A bears away hard, then A does not give X room to keep clear and therefore breaks rule 16.1. Penalize A.

CALL A6

Rule 11 **On the Same Tack, Overlapped**

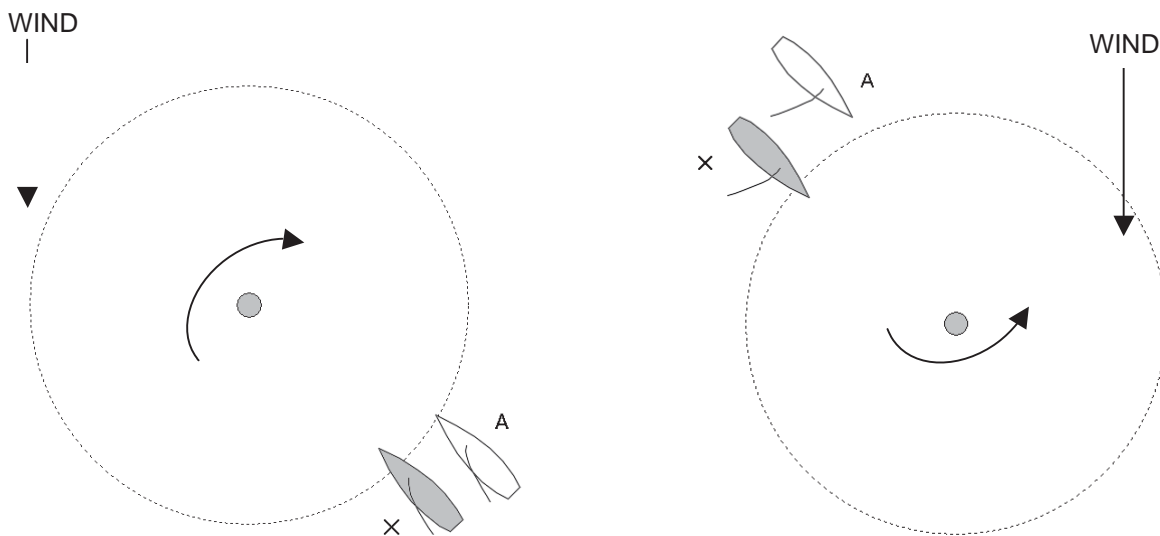
Rule 18.1 **When Rule 18 Applies**

Rule 18.2 **Giving Mark-Room**

Definitions **Zone**

Question 1

X and A are approaching a mark to be left as indicated by the arrows. Rule 17 does not apply to X. What is the latest time X may luff?



Answer 1

Rule 18 begins to apply when any part of the hull of either boat is in the zone. From this moment, if X luffs and thereafter has to bear away in order to give A mark-room, then X breaks rule 18.2. X does not break rule 18.2 if she is able to luff while giving mark-room. A is required to keep clear under rule 11. However, she will be exonerated under rule 18.5(a) if she breaks rule 11 because X fails to give her mark-room.

Question 2

If X has to bear away to give mark-room, when is she required to do so?

Answer 2

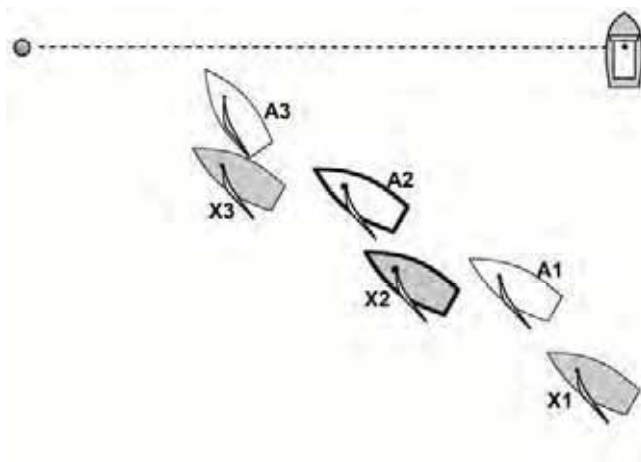
X is required to bear away promptly when the first of the boats enters the zone.

CALL B1

Rule 11 **On the Same Tack, Overlapped**
Rule 15 **Acquiring Right of Way**

Question

Before the start, A is sailing slowly and X establishes an overlap from clear astern. At the time the overlap is established A can keep clear by maintaining her course and accelerating. Instead A delays her response and then luffs, and her stern hits X. There is a protest. What should the call be?



Answer

Penalize A. When X gains her overlap she must initially give A room to keep clear. X fulfills her obligations under rule 15, because, when the overlap is established, A can keep clear by maintaining her course and accelerating, or by luffing. However, when A delays her response, and then elects to luff and there is contact, she fails to keep clear. A breaks rule 11.

When a keep-clear boat reacts appropriately and in a timely manner, but is unable to keep clear, the right-of-way boat fails to give room and will be penalized for breaking rule 15.

When a keep clear boat reacts slowly, or in an inappropriate manner, and then fails to keep clear, the keep clear boat will be penalized for failing to keep clear.

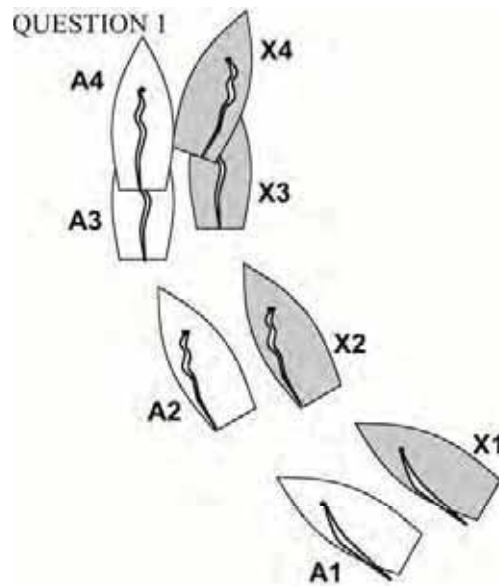
When one boat acquires right of way, the other boat must promptly take appropriate action to try to keep clear. Depending on the circumstances, this action may include accelerating or tacking.

CALL B2

Rule 11	On the Same Tack, Overlapped
Rule 13	While Tacking
Rule 16.1	Changing Course
Definitions	Keep Clear

Question 1

Boats A and X are overlapped and X, the windward boat, is keeping clear. A luffs head to wind, X luffs in response, and both reach head to wind, side by side. X continues to change course and passes through head to wind. As a result X makes contact with A. There is a protest. What should the call be?



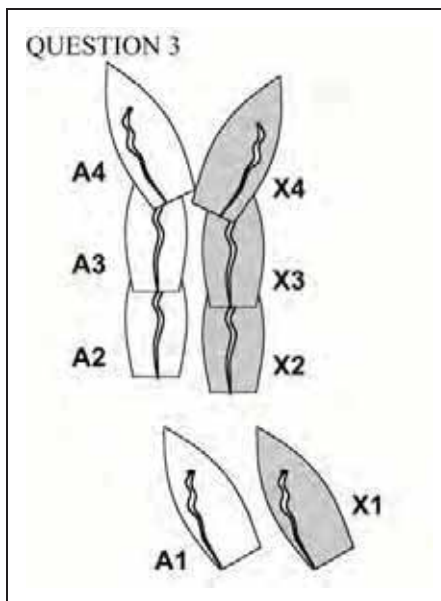
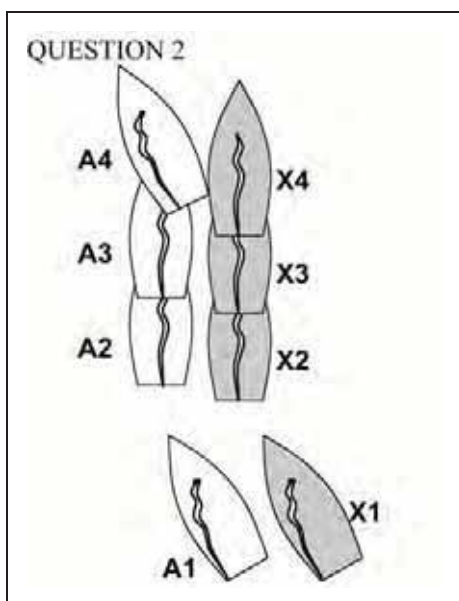
Answer 1

If, when A begins her luff, X responds promptly and continues to do all she can to keep clear throughout the incident, but there is contact anyway, then A is not giving X room to keep clear and A breaks rule 16.1. Penalize A.

If X could have kept clear, but either responds too slowly or not enough, or over-rotates, then X breaks rule 11 or 13. Penalize X.

Question 2

In similar circumstances, A luffs without breaking rule 16 and X responds. When head to wind X maintains this position when she could have tacked off. Slightly later A bears away and their sterns make contact. There is a protest. What should the call be?



Answer 2

If A's change of course immediately results in contact with X, then X was not keeping clear and broke rule 11. Penalize X.

If there is a greater distance between them, and A bears away hard without giving X room to keep clear, then A breaks rule 16.1. Penalize A.

Question 3

In similar circumstances X keeps clear but, when she reaches head to wind, she maintains this position for a while. X then passes through head to wind and, slightly later, A bears away and their sterns make contact. There is a protest. What should the call be?

Answer 3

When X passes head to wind, the boats are no longer overlapped on the same tack so the second part of the definition of Keep Clear no longer applies.

If the contact would have occurred without A bearing away, X breaks rule 13. Penalize X.

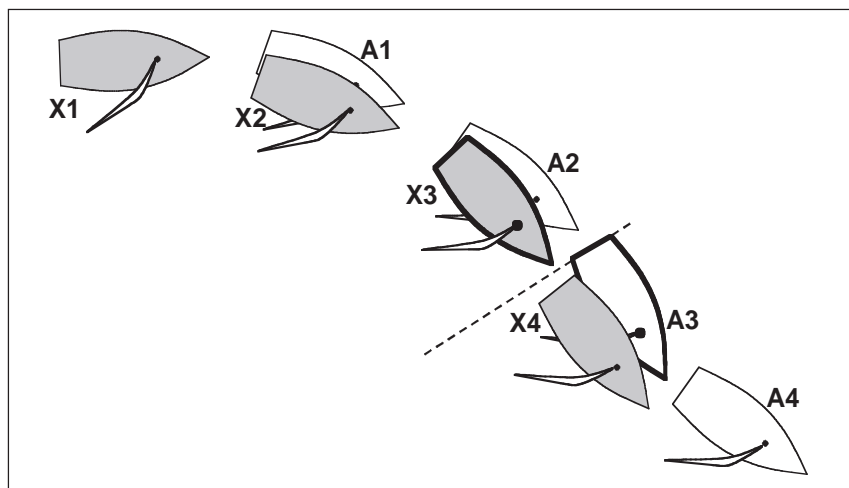
If the contact would not have occurred without A bearing away, A breaks rule 16.1. Penalize A.

CALL B3

Rule 11	On the Same Tack, Overlapped
Rule 12	On the Same Tack, Not Overlapped
Rule 15	Acquiring Right of Way
Rule 16.1	Changing Course

Question 1

Before the start, A and X are both on port tack, with X clear astern of A. As A bears away to gybe, X also bears away onto a course that will become a collision course if A bears away further. At no time during the manoeuvre are the boats overlapped. A luffs and protests. What should the call be?



Answer 1

No penalty. As right-of-way boat A is required to give X room to keep clear when she changes course. X is required to keep clear, so she must not prevent A from sailing in the direction she is pointing. At position 3 X is keeping clear, but her actions are preventing A from bearing away further. Neither boat breaks a rule.

Question 2

If an overlap is established just after position 3, does the situation change?

Answer 2

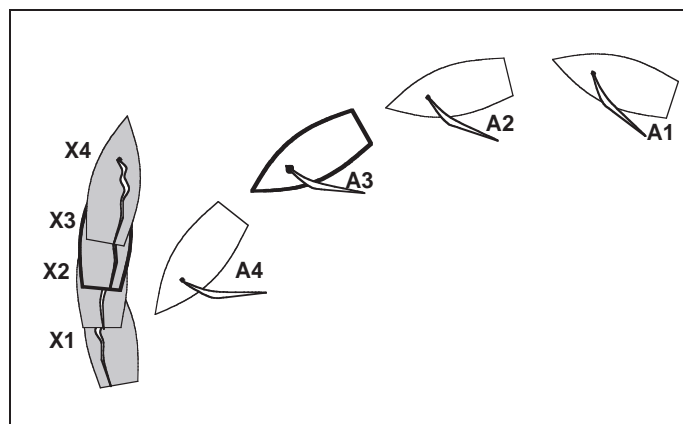
Just after position 3, X becomes right-of-way boat at least in part because of A's actions. Therefore, provided she maintains her course, X does not initially need to give A room to keep clear. As A keeps clear she breaks no rule. No penalty.

CALL B4

Rule 13 While Tacking Rule 16.1 Changing Course

Question 1

A and X are separated and not on a collision course. X intends to tack but after passing head to wind she loses way. Before X is on a close-hauled course, A bears away onto a collision course with X. X is unable to take any avoiding action that would prevent contact if A were to stop bearing away. However, A bears away continuously and passes astern of X. A protests. What should the call be?



Answer 1

No penalty. A's change of course at position 1 requires her to give X room to keep clear (rule 16.1). Because X has lost way, she does not have room to keep clear if A maintains her course. A complies with rule 16.1 by bearing away further.

Question 2

Will the answer change if X's helmsman intentionally loses steerage and places the boat in a situation where it will be impossible to keep clear if A changes to a collision course?

Answer 2

No. Whether or not she does so deliberately, no rule prohibits X from being in the position she is in here, or requires her to anticipate A's change of course.

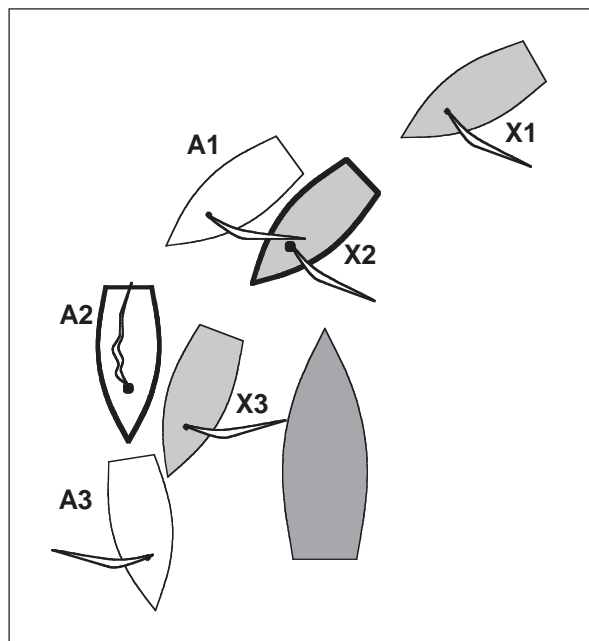
A right-of-way boat changing course may comply with rule 16.1 by changing course further and thus giving the other boat room to keep clear. (See also Call D3.)

CALL B6

Rule 10 **On Opposite Tacks**
Rule 15 **Acquiring Right of Way**
Rule 16.1 **Changing Course**

Question

Before the start A and X, reaching on starboard tack, approach an anchored boat. When A reaches the anchored boat, she is clear ahead of X. A passes to windward of it, bears away alongside it, then gybes in order to sail around its stern. Very soon after A gybes, X is still on starboard and gains a small inside overlap. X changes course trying to avoid contact with A but there is contact. There is a protest. What should the call be?



Answer

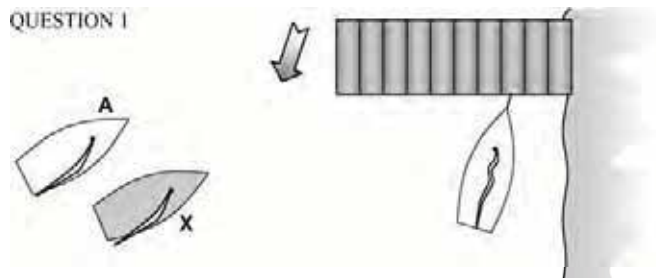
Penalize A. When A gybes in position 2, she gives up right-of-way. Therefore rule 15 does not apply. From position 3 A is required to keep clear of X and fails to do so.

CALL B7

Rule 20 Room to Tack at an Obstruction

Question 1

Before the start A and X are sailing close-hauled towards a pontoon. X calls for room to tack. A replies 'No, you can go inside'. X protests. What should the call be?

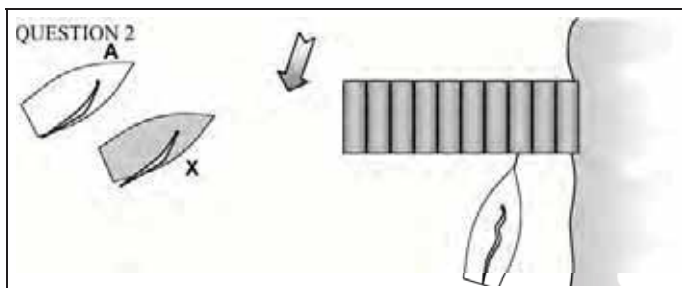


Answer 1

Rule 20.1 allows X to hail for room to tack to avoid the obstruction, and requires that A responds. It is up to X to decide whether to tack or gybe to avoid the obstruction. By not responding, A breaks rule 20.1(b). Penalize A.

Question 2

The situation is the same except that X by luffing slightly is able to avoid the pontoon. X calls for room to tack. A replies 'No, you can luff slightly'. X does this and protests. What should the call be?



Answer 2

Penalize both boats. Rule 20.1 requires A to act in response to the hail. By not doing so she breaks rule 20.1(b). In addition, because X does not need to make a substantial course change to avoid the pontoon, X breaks rule 20.3 by hailing for room to tack.

If instead A tacks and protests, then X breaks rule 20.3 and A breaks no rule.

A boat hailed under rule 20.1 must act as if the hail is valid even if she believes it to be invalid. If she does not she breaks rule 20.1(b).

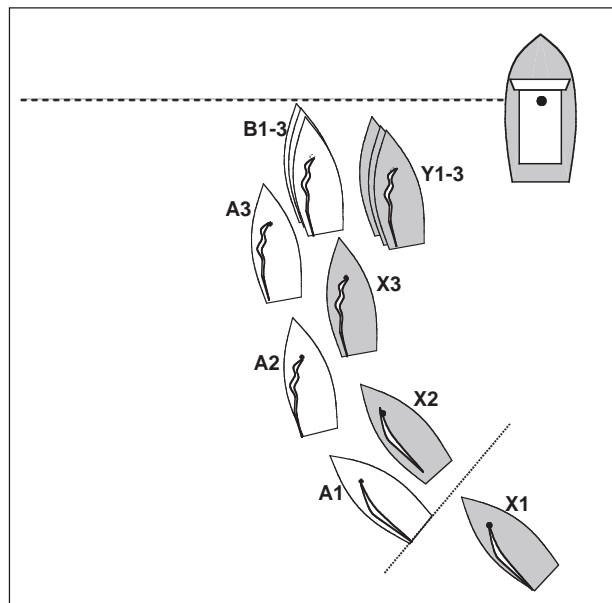
A boat hailing under rule 20.1, when not entitled to do so, breaks rule 20.3

CALL B8

Rule 19.2 Giving Room at an Obstruction Definitions Obstruction

Question

Shortly before the start, B and Y, both on starboard, are approximately stationary near the starting line. A and X are approaching close-hauled with A clear ahead of X when A is two lengths away from B's transom. A then luffs slightly, causing X to luff and establish an overlap to windward of A. X has the opportunity to tack, but instead hails A for room to pass to leeward of B. A does not give X room, and there is contact between X's bows and B's transom. B protests. What should the call be?



Answer

Penalize A.

When two boats are approaching an obstruction, even if that obstruction is a right-of-way boat, rule 19.2 determines an inside boat's right to room.

The boats become overlapped at position 2. When A chooses to pass to leeward of B, she is required by 19.2(b) to give X room to pass between her and B. A is able to give X room from the time the overlap began, so breaks rule 19.2(b) when she fails to give room.

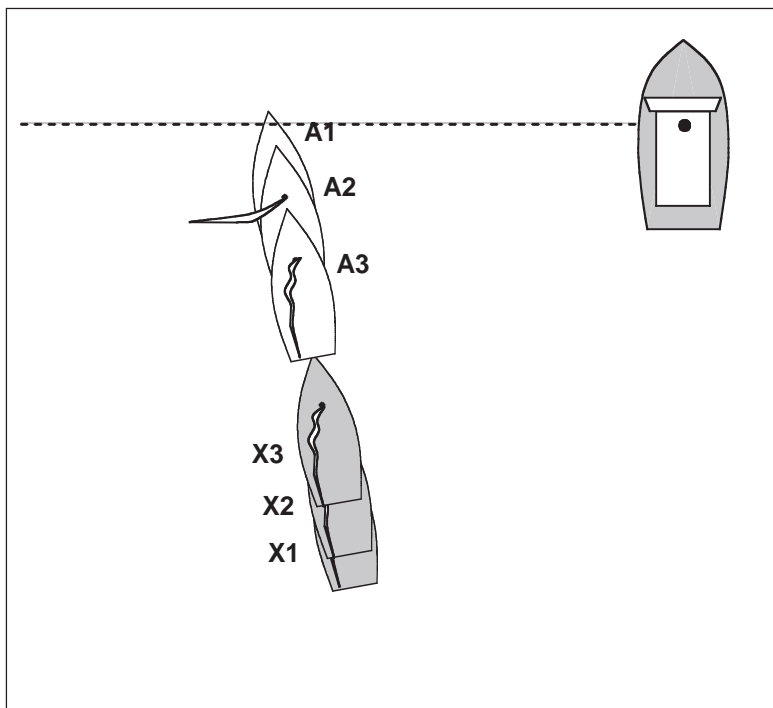
A boat racing is an obstruction for other boats if they are required to keep clear of her. In such a case, rule 19 may apply.

CALL B9

Rule 21.3 Moving Astern

Question

Shortly before the start, A and X are sailing ahead very slowly, A half a length ahead of X. A is in danger of crossing the starting line before the start and briefly backs her mainsail. This causes her to sail backwards toward X. She then stops backing her sail but continues to move backwards towards X. X maintains her position, and there is contact. X protests. What should the call be?



Answer

Rule 21.3 requires a boat moving astern by backing a sail to keep clear of one that is not. Although A is no longer backing her sail, she is moving astern because she backed her sail, and is still subject to rule 21.3. A fails to keep clear and breaks rule 21.3. Penalize A.

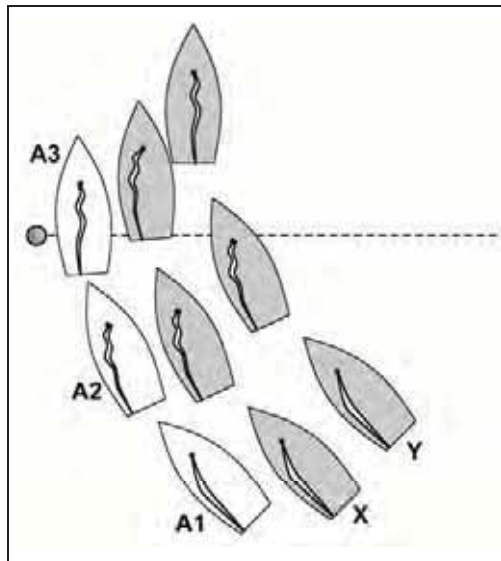
A boat is 'moving astern by backing a sail' and therefore subject to rule 21.3 if she is moving astern through the water, and she initiated or assisted her sternwards motion by backing her sail. If she ceases to back the sail, but is still moving astern, she is still subject to the rule.

CALL C1

Rule 11 **Same Tack, Overlapped**
Rule 16.1 **Changing Course**
Rule 17 **On the Same Tack; Proper Course**
Part 2 **Section C, Preamble, When Rules do not Apply**

Question

Before the starting signal A establishes an overlap from clear astern to leeward of X and Y. After the start A luffs above close-hauled to pass the leeward starting mark. X immediately luffs to try to keep clear, but makes contact with team-mate Y who is also trying to keep clear. Y protests. What should the call be?



Answer

Rule 18 does not apply at a starting mark when boats are approaching it to start (Section C Preamble). Because A establishes the overlap from clear astern within two of her hull lengths, she may not sail above her proper course after the starting signal. (A boat has no proper course before the starting signal.) In this case A's proper course is to luff to pass the mark. Provided A complies with rule 16.1 when she luffs, A does not break a rule.

Rule 16.1 requires that, when A changes course, she must give X and Y room to keep clear. If Y was keeping clear of X, but is now unable to do so because of X's luff to keep clear of A, then A's alteration of course breaks rule 16.1. Penalize A.

However if Y is so close to X that she is not keeping clear when A starts to luff, or if Y responds late or not enough when X changes course to keep clear of A, then Y fails to keep clear and breaks rule 11. Penalize Y.

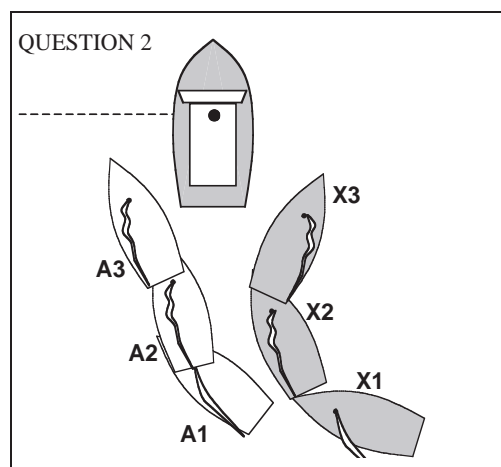
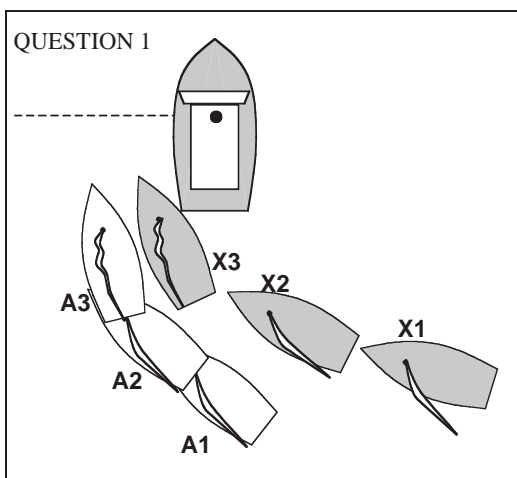
When a right-of-way boat subject to rule 16 changes course, she must give any keep clear boat affected by this change of course room to keep clear.

CALL C2

Rule 11 **On the Same Tack, Overlapped**
Rule 16.1 **Changing Course**
Part 2 **Section C, Preamble, When Rules do not Apply**

Question 1

A and X are approaching the starting line to start with A clear ahead and to leeward of X. X establishes an overlap to windward between A and the committee boat. At position 3 A luffs, hailing 'No room'. X responds to the luff, and in so doing makes contact with the committee boat. X protests. What should the call be?



Answer 1

Neither rule 18 nor rule 19 applies when boats are approaching a starting mark to start. A is therefore not required to give X room to pass the committee boat. However rule 16.1 requires A to give X room to keep clear when she changes course. When A changes course after position 2 she fails to give X room to keep clear. Penalize A.

Question 2

If A's alteration of course occurs after position 1, and as a result X passes the wrong side of the committee boat, what should the call be?

Answer 2

Provided she reacts promptly, X can still keep clear by passing the wrong side of the committee boat. A therefore does not break rule 16.1. No penalty.

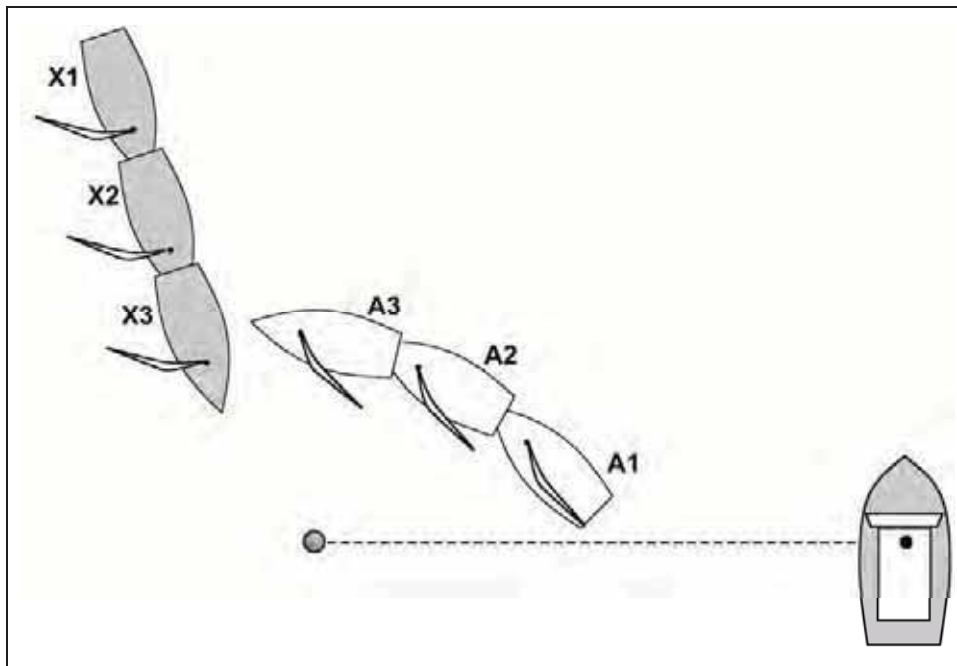
If X does not respond promptly to the luff and then fails to keep clear, she breaks rule 11. Penalize X.

CALL C3

Rule 21.1 Starting Errors
Rule 23.2 Interfering with Another Boat

Question

After the start X is sailing on port tack from the course side of the starting line without having started. Boat A has started correctly and bears away below her proper course onto a collision course with X. X protests. What should the call be?



Answer

Penalize A. X and A are not on the same leg of the course. Therefore when A bears away below her proper course and interferes with X, she breaks rule 23.2.

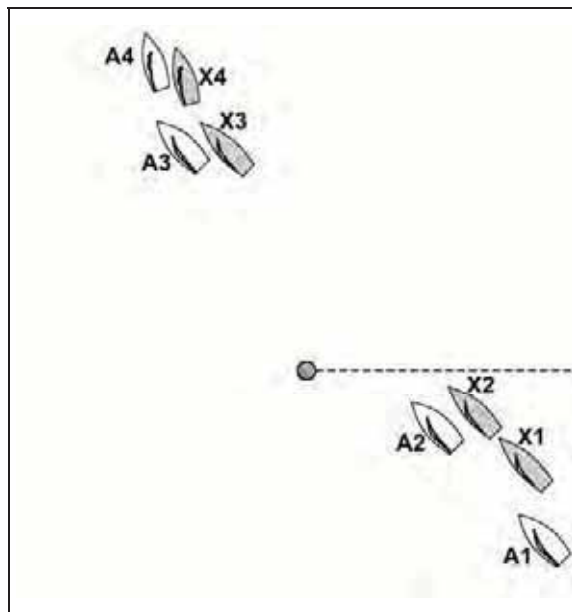
A boat that, after the starting signal, is sailing towards the pre-start side of the line without having started correctly, is not on the same leg of the course as boats that have started. If the umpires are not certain whether or not a boat that is sailing toward the starting line after the starting signal has started correctly, they will use the principle of 'last point of certainty'. In such cases the umpires will assume the boat has not started until they are certain that she has.

CALL C4

- Rule 11** **On the Same Tack, Overlapped**
Rule 16.1 **Changing Course**
Rule 17 **On the Same Tack; Proper Course**

Question 1

Before the starting signal A establishes an overlap to leeward of X from clear astern. After the starting signal both boats continue on starboard tack, and at all times X is keeping clear. About one minute after starting A is beginning to draw ahead, although the boats are still overlapped. A heels to windward and luffs above close-hauled. X protests. What should the call be?



Answer 1

Penalize A. A established her overlap from clear astern, and therefore breaks rule 17 by sailing above close-hauled after the starting signal. However if A heels to windward to slow X, without changing course, she breaks no rule.

Question 2

As a result of A's luff, the boats make contact. X protests. What should the call be?

Answer 2

If X could have responded to the luff and kept clear, but either did not respond or did not respond enough, she breaks rule 11 and A breaks rule 17. Penalize both.

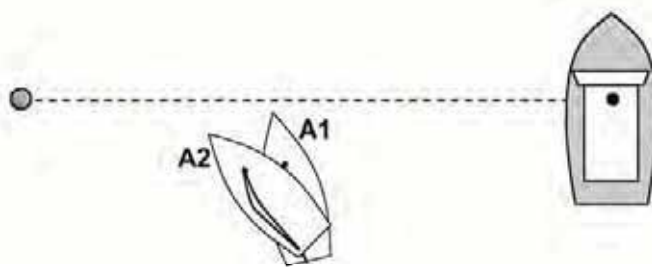
If X responds to the luff but is unable to avoid contact, then A's luff breaks both rule 16.1 and rule 17. Penalize A only.

CALL C5

Rule 42.3(d) Propulsion; Exceptions

Question

At the start, boat A has been near head to wind on starboard tack for some time, and has lost steerage way. She returns to a close-hauled course by repeatedly yanking the tiller to windward. Another boat protests. What should the call be?



Answer

A breaks no rule. She is above close-hauled and is moving slowly, and her 'sculling' movements are to turn the boat to a close-hauled course. This is specifically permitted by rule 42.3(d).

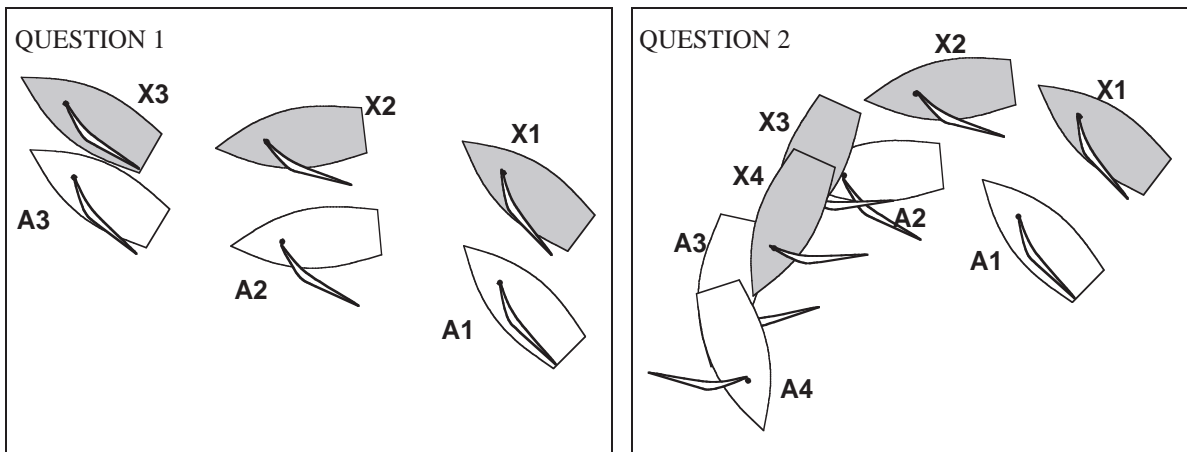
Repeated movements of the helm that is either forceful or that propels the boat forward or prevents her from moving astern break rule 42.2(d). However, sculling to turn a nearly stationary boat from above close-hauled onto a close-hauled course is permitted.

CALL D1

Rule 10	On Opposite Tacks
Rule 11	On the Same Tack, Overlapped
Rule 15	Acquiring Right of Way
Rule 16.1	Changing Course
Definitions	Keep Clear

Question 1

A and X are beating on starboard tack, overlapped with $\frac{1}{4}$ boat length between them. A bears away to give herself space to tack behind X, but X bears away onto a parallel course to prevent A from tacking. A luffs; X responds promptly, but there is contact. A protests. What should the call be?



Answer 1

At position 2 A is right-of-way boat and X is keeping clear of her. Rule 16.1 requires A to give X room to keep clear when she changes course. A fails to give X room when she luffs. Penalize A.

Question 2

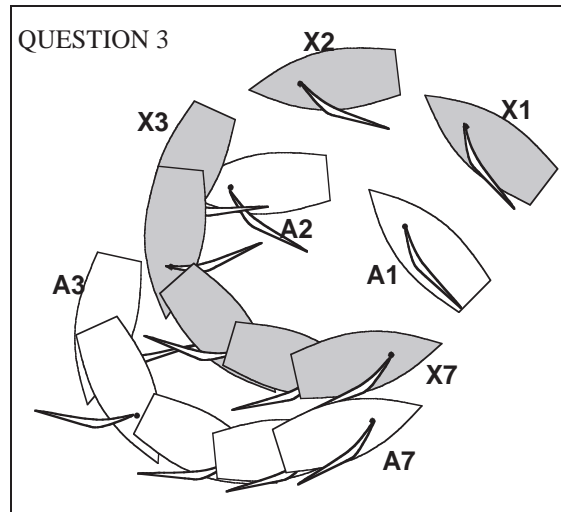
A and X are beating on starboard tack. A bears away to gybe out, and X also bears away. At position 3 A is clear ahead. When A gybes onto port, X maintains her course and there is contact. X protests. What should the call be?

Answer 2

A gives up right of way when she gybes, so X is not subject to rule 15. A breaks rule 10. Penalize A.

Question 3

Same situation as Question 2, except that A is able to gybe and keep clear of X. X chooses to gybe and then luffs hard to turn inside A. Because A (now leeward boat on port tack) also luffs, there is contact. X protests. What should the call be?



Answer 3

When X gybes, she becomes keep clear boat. Rule 15 does not apply as X gave up right of way. However, rule 16.1 now applies if A changes course. By changing course without giving X room to keep clear, A breaks rule 16.1. Penalize A.

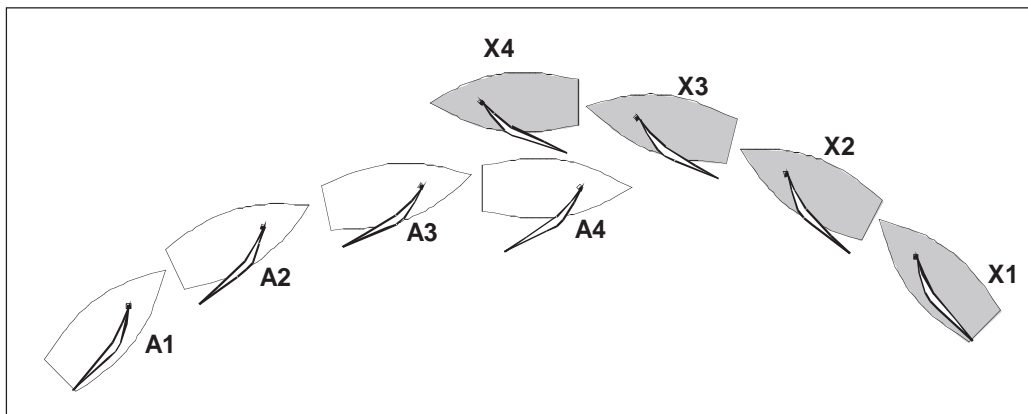
If A were to stop changing course the moment X gybes and there were still contact (or if A does change course but there clearly would have been contact even if she had not) then X breaks rule 11.

CALL D2

Rule 10 **On Opposite Tacks**
Rule 16.2 **Changing Course, Opposite Tacks**

Question

On a windward leg in light winds, X on starboard and A on port are on converging courses. At approximately three lengths from X, A bears away to avoid X. X then bears away, so that the boats remain on a collision course. Both A and X continue to bear away, until they finally pass one another with the wind approximately abeam. A protests. What should the call be?



Answer

Penalize X. After the start rule 16.2 prohibits a starboard tack boat from changing course if that requires a port tack boat, that is keeping clear by sailing to pass astern of her, to have to change course immediately to continue to keep clear.

When X alters course between position 1 and 2, A does not have to make an immediate change of course, so no rule is broken.

When X alters course between positions 2 and 3, she breaks rule 16.2. Boat A was keeping clear by sailing to pass astern of X, but after X's latest change of course A has to change course immediately to continue to keep clear.

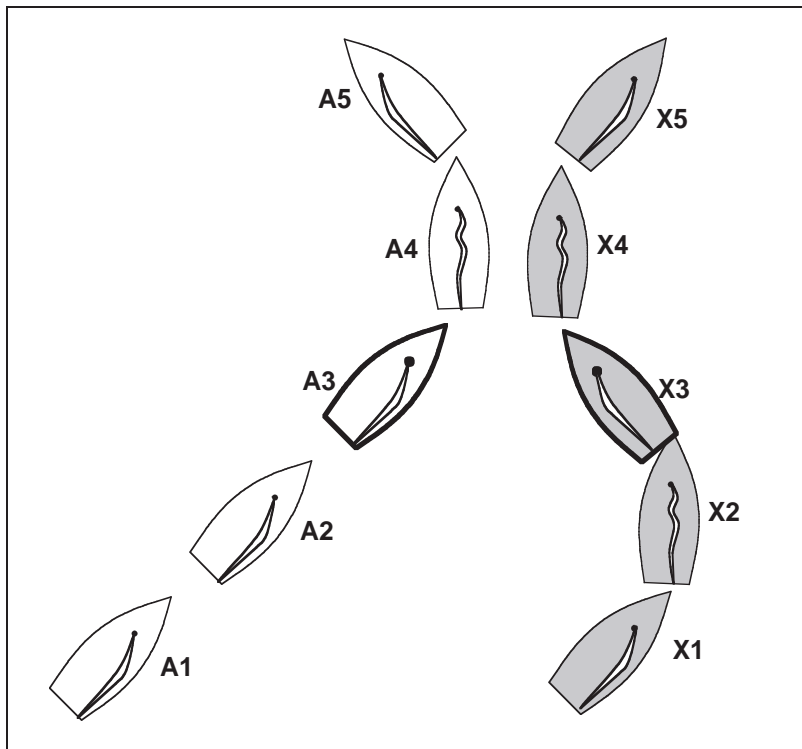
When the wind is stronger or the boats are moving faster, if X performs a similar manoeuvre she will break rule 16.2 when further from A.

CALL D3

Rule 10 **On Opposite Tacks**
Rule 13 **While Tacking**
Rule 15 **Acquiring Right of Way**

Question

A and X are sailing on port tack on a windward leg. X tacks onto starboard close to A. When X completes her tack onto starboard, both boats immediately have to luff and tack away to avoid contact. A protests. What should the call be?



Answer

No penalty. Neither boat breaks a rule. At position 3 X acquires right of way through her own actions and must initially give A room to keep clear. By tacking back onto port, she gives A room to keep clear.

If A has to take avoiding action before X completes her tack, X breaks rule 13.

If at position 4 the boats are so close that there is risk of contact, or A had to tack in an unseamanlike way, then X breaks rule 15

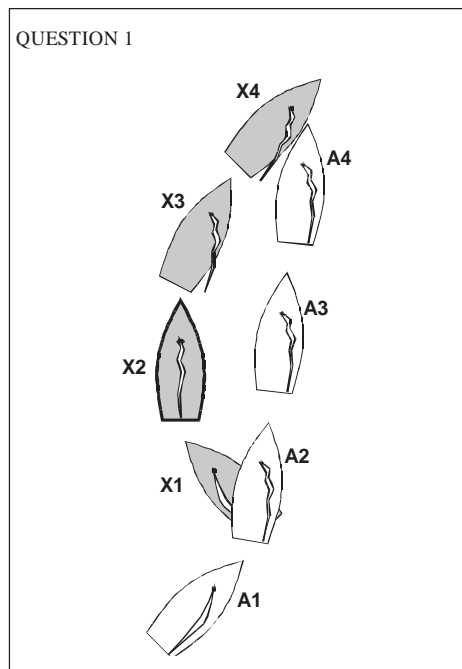
A boat acquiring right of way may comply with rule 15 by altering course herself. This principle applies on any leg of the course.

CALL D4

Rule 13 While Tacking Rule 16.1 Changing Course

Question 1

X on starboard tack crosses ahead of A on port tack on a windward leg. As A passes X's stern, X luffs, and tacks onto port. Meanwhile, after sailing behind X and while X is still on starboard, A luffs above close-hauled and heels to windward to make it difficult for X to complete her tack without making contact with A. There is contact and X protests. What should the call be?



Answer 1

Penalize X. After position 2 X gives up right of way, so rule 15 does not apply. A establishes a leeward overlap either instantaneously or while X is subject to rule 13, so rule 17 does not apply. As A does not alter course after position 2, rule 16 does not apply. X breaks rule 13.

Question 2

If A luffs after X passes head-to-wind, and as a result there is contact, will the answer still be the same?

Answer 2

It depends. After X passes head-to-wind, rule 16.1 applies to A when she changes course. If A gives X room to keep clear, but contact occurs, X breaks rule 13. Penalize X.

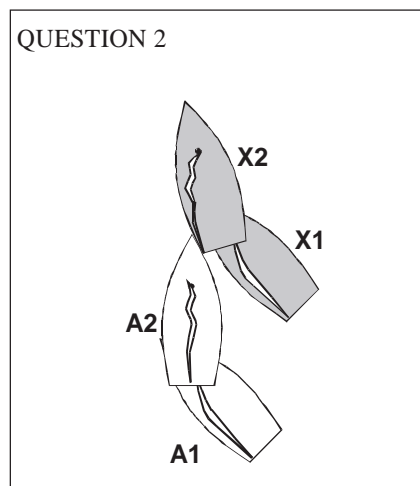
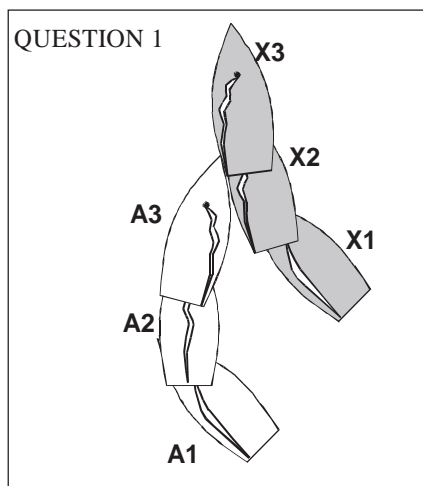
If A luffs without giving X room to keep clear even if X promptly reverses her tack, A breaks rule 16.1. Penalize A.

CALL D5

- Rule 11** **On the Same Tack, Overlapped**
Rule 13 **While Tacking**
Rule 16 **Changing Course**
Rule 17 **On the Same Tack; Proper Course**

Question 1

Two boats A and X are on a beat, having a close tacking duel. Both are on starboard tack and A is subject to rule 17. A luffs to tack astern of X, which she can do if X does not change course. As soon as A starts to luff, X also luffs. A passes through head to wind and makes contact with X's quarter. A protests. What should the call be?



Answer 1

Until A passes head to wind, X's only obligation is to keep clear. A is subject to rule 17 and may only sail above her proper course if she promptly sails astern of X.

As soon as A passes head to wind, X becomes right of way boat and any change of course from this moment must comply with rules 16.1 and 16.2. If contact is caused by X's change of course after position 2, X breaks rules 16.1 and 16.2. Penalize X.

If contact would occur even if X holds her course between position 2 and 3, A breaks rules 17 and 13. Penalize A.

Question 2

Will the answer be different if the contact occurs before A reaches head to wind?

Answer 2

A breaks rule 17.

In addition, if X is able to respond to the change of course by A, but fails to do so and does not keep clear, then she breaks rule 11. Penalize both boats.

However, if A's alteration of course does not give X room to keep clear, then A also breaks rule 16.1. Penalize A only.

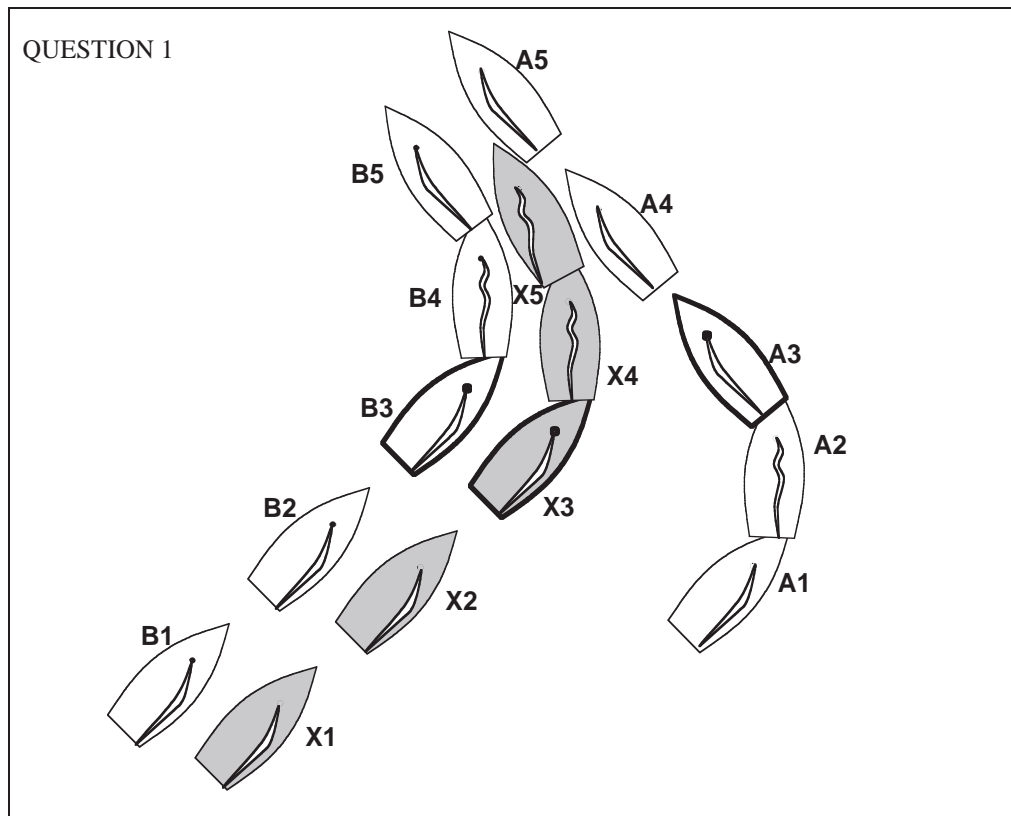
A boat 'sails astern' (reference rule 17) of another boat if, while sailing on either tack, she becomes wholly behind a line abeam from the aftermost point of the other's hull and equipment.

CALL D6

- Rule 10** **On Opposite Tacks**
- Rule 15** **Acquiring Right of Way**
- Rule 19.2** **Giving Room at an Obstruction**
- Rule 20** **Room to Tack at an Obstruction**
- Rule 64.1(c)** **Penalties and Exoneration**

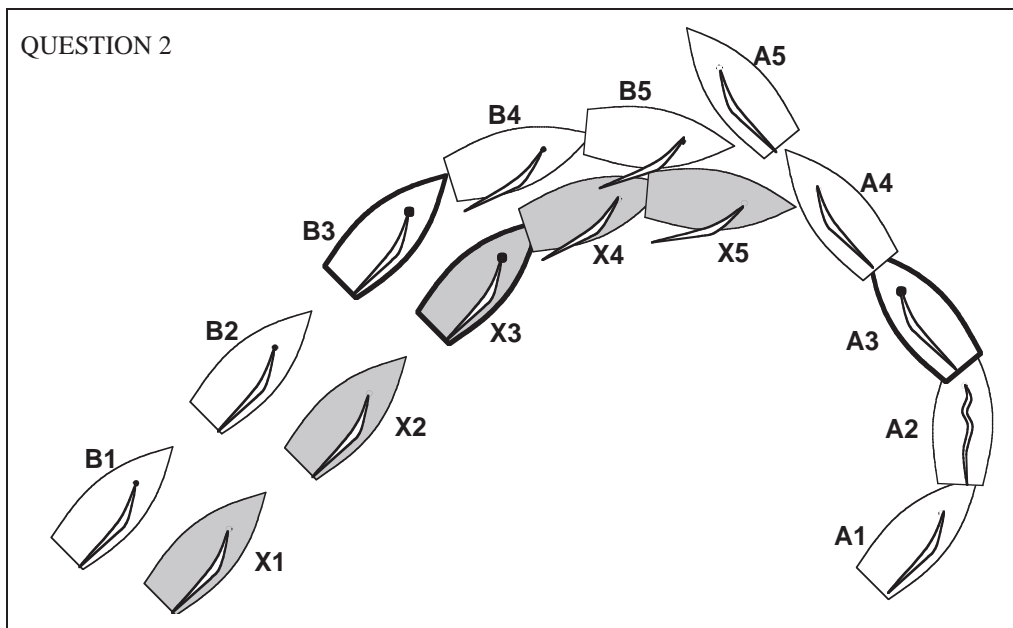
Question 1

On a beat to windward A is on port tack, ahead and to leeward of opponent X and team-mate B. A tacks onto starboard. At position 3 her tack is complete and X calls for room to tack. B tacks as soon as possible, but there is not room for X to tack between A and B. X protests. What should the call be?



Question 2

The circumstances are the same, except that at position 3, X bears away to pass astern of A. B also bears away to pass astern but there is insufficient room and she makes contact with both A and X. B protests. What should the call be?



Answer to Questions 1 and 2

If A completes her tack so close to X and B that they can neither both keep clear by tacking, nor both keep clear by bearing away to pass astern of A, then A breaks rule 15, Acquiring Right of Way. Penalize A.

If X and B could have kept clear by tacking, but X chooses to bear away astern of A and there is insufficient room for B, then X breaks rule 19.2(b), penalize X. B is exonerated under rule 64.1(c) because, as a result of X breaking rule 19.2(b), she was compelled to break rules 10 and 11.

If X and B could have kept clear by bearing away, but X chooses to hail for room to tack and B responds as soon as possible to the hail but there is still contact between the boats, then X breaks rule 20.1(a) by not giving B time to respond to her hail. Penalize X.

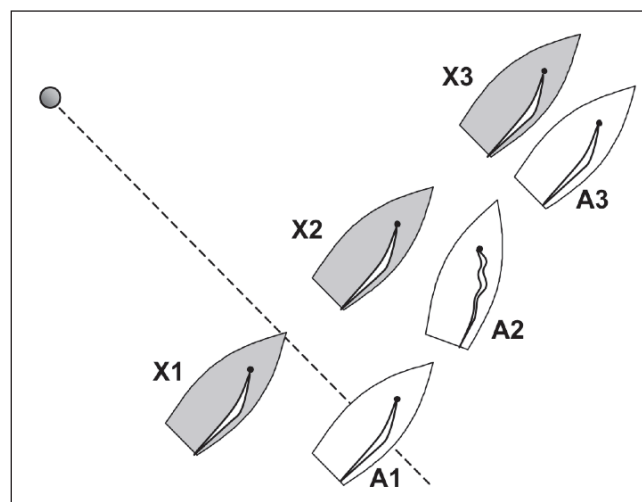
If, when a boat acquires right of way, she forces another boat to break a rule while keeping clear, she has not given that other boat room to keep clear and therefore breaks rule 15.

CALL D7

Rule 11 **On the Same Tack; Overlapped**
Rule 16.1 **Changing Course**
Rule 17 **On the Same Tack; Proper Course**

Question 1

A and X, close-hauled on port tack, approach the starboard tack layline near the windward mark. A is subject to rule 17. Both boats sail beyond the layline, and are clearly over-standing the mark. A luffs and is then forced to bear away to avoid contact with X who has held her course. There is a protest. What should the call be?



Answer 1

Penalize X. When A luffs it is clear that her proper course is to luff in order to tack towards the mark. A gives X room to keep clear as required by rule 16.1. A is then unable to sail her new course without the need to take avoiding action. X does not keep clear and breaks rule 11.

Question 2

What should the call be if due to shifty winds and/or rough seas it is not clear whether the boats are over-standing the mark?

Answer 2

Penalize both. It is not yet clear that A's only proper course is on the other tack. A breaks rule 17 when she sails above her proper course (close-hauled) without promptly sailing astern of X. If X could have responded to the luff and kept clear, but either did not respond or did not respond enough, she breaks rule 11.

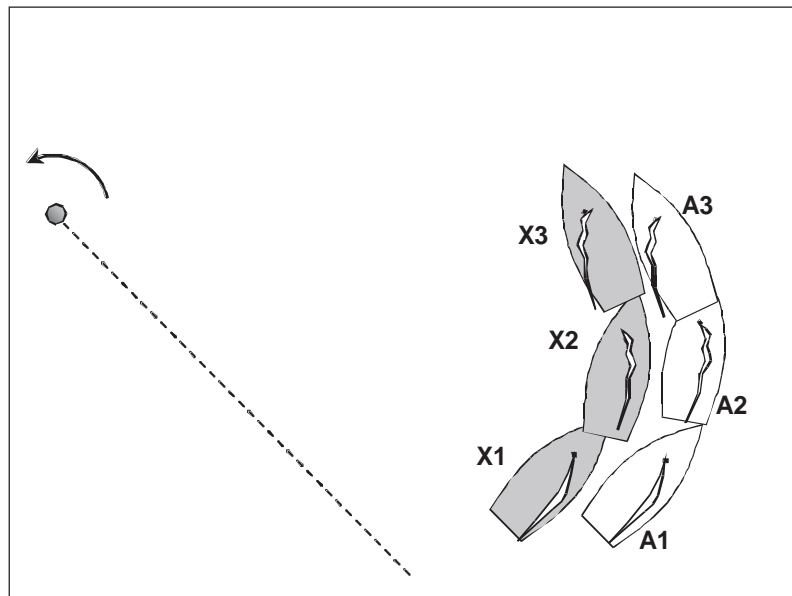
CALL D8

Rule 13 While Tacking

Question 1

X has sailed A, both on port, beyond the layline to the windward mark to let teammates overtake. Eventually X starts to tack and A does likewise, so that they are both between head to wind and close-hauled on starboard at the same time.

Before reaching close-hauled on starboard, X brings her rig upright and hits the rig of A. X protests. What should the call be?



Answer 1

Penalize X. Because both boats are subject to rule 13, X has to keep clear of A.

Question 2

Would the answer be the same if the boats were further away from the mark?

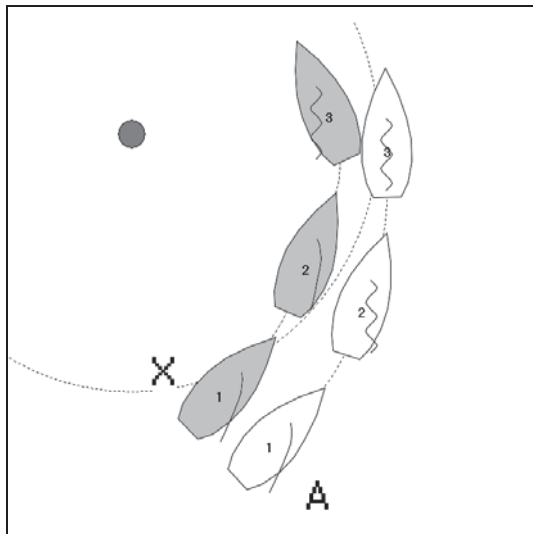
Answer 2

Yes.

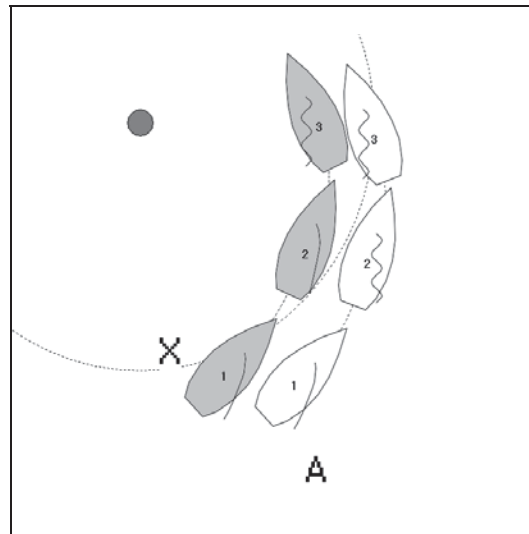
CALL D9

Rule 13	While Tacking
Rule 18.1	When Rule 18 Applies
Rule 18.2	Giving Mark-Room
Rule 18.5	Exoneration
Definitions	Mark-Room

Question 1



Question 2



Question 1

X and A overlapped on port tack enter the zone of a windward mark that is to be rounded to port. Both boats are close-hauled and X is keeping clear of A. X luffs to tack and, after she passes head-to-wind, there is contact between the boats. A protests. What should the call be?

Answer 1

From the time one of the boats enters the zone, rule 18 applies and A is required by rule 18.2(b) to give X mark-room. Because X is overlapped to windward and on the inside of A, mark-room includes room to tack.

Although rule 18 ceases to apply after X passes head-to-wind, because the boats are now on opposite tacks on a beat, the subsequent contact shows that before X passed head-to-wind, A had failed to give X mark-room.

Penalize A for breaking rule 18.2(b) and exonerate X under rule 18.5(a) for breaking rule 13, a rule of Section A.

Question 2

The situation is the same, except that the contact happens while both boats are subject to rule 13.

Answer 2

As soon as both boats are on starboard tack, the boats become overlapped, and rule 18.2(a) requires that A gives X mark-room.

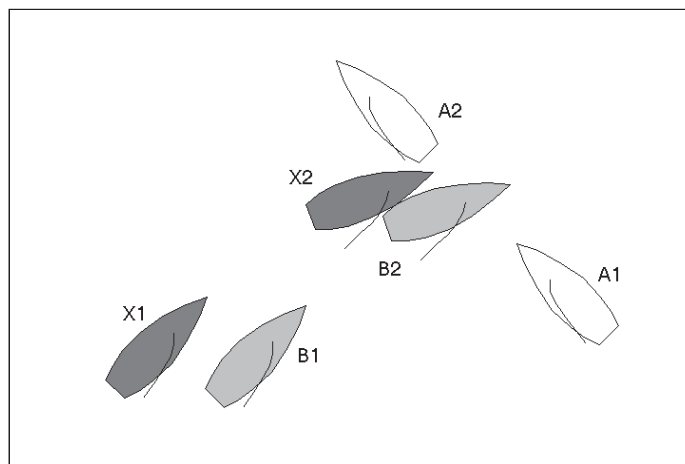
Penalize A for breaking rule 18.2(a). Because X is on A's port side while both boats are tacking, X is keep-clear boat under rule 13 until she completes the tack by getting down to a close-hauled course. X therefore breaks rule 13. However, because rule 13 is a rule of Section A, X is exonerated under rule 18.5(a).

CALL D10

Rule 11	On the Same Tack, Overlapped
Rule 19.1	When Rule 19 Applies
Rule 19.2(b)	Giving Room at an Obstruction
Rule 64.1(c)	Penalties and Exoneration
Definitions	Obstruction

Question 1

X and B are overlapped on port tack approaching A on starboard tack. B sails to pass astern of A; X attempts to sail between A and B but there is insufficient space and she makes contact with B. B protests. What should the call be?



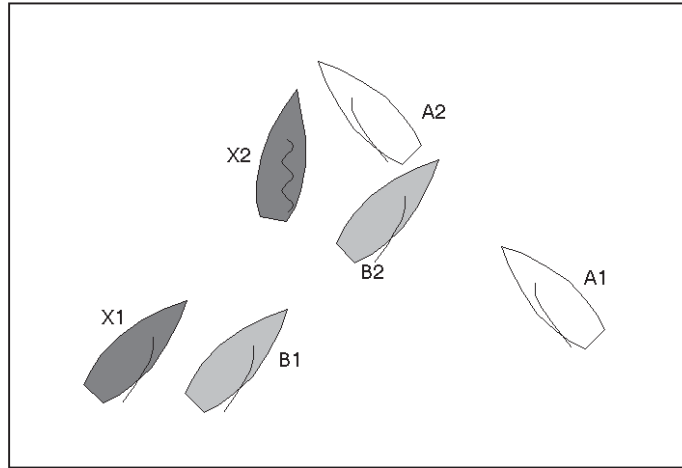
Answer 1

Because both X and B must keep clear of A, A is an obstruction and rule 19 applies. Rule 19.2(b) requires that the outside boat give the inside boat room between her and the obstruction. Penalize B as she fails to give room.

Rule 11 also applies and requires X to keep clear of B. However, X does not have to anticipate that B will break a rule. If, when it became clear that B was not giving room, the umpires decide that X then could have kept clear by tacking, penalize X for breaking rule 11; otherwise exonerate X under rule 64.1(c).

Question 2

The situation is the same, except that at position 1 B hails 'No room'. X tacks and protests. What should the call be?



Answer 2

In this case, it is clear to X that B will not give room. X complies with rules 11 and 14 by tacking.

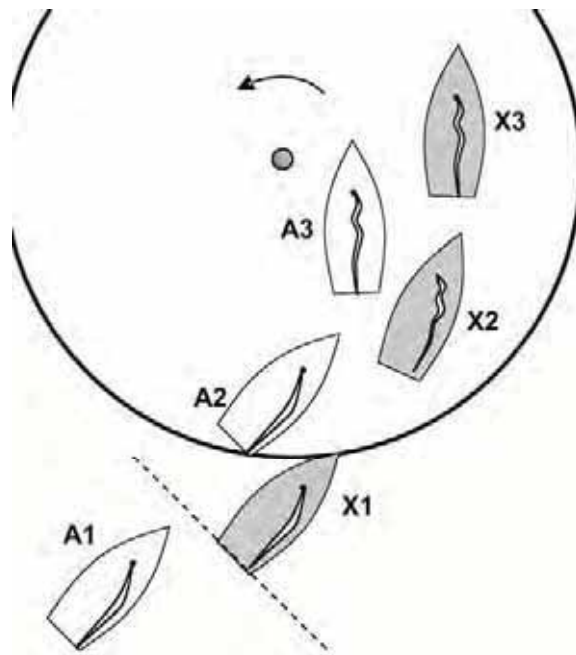
B and X are overlapped when they are at the obstruction and rule 19.2(b) requires B to give X room between her and the obstruction. Penalize B as she fails to give room.

CALL E1

Rule 13 **While Tacking**
Rule 18.2 **Giving Mark-Room**

Question

X and A are both close-hauled on port tack when X reaches the zone of a port-hand windward mark. X is clear ahead of A. X luffs to tack around the mark, but the presence of A prevents X from tacking and X protests. What should the call be?



Answer

No penalty.

X is clear ahead when she reaches the zone, and A must give her mark-room under rule 18.2(b). When A becomes overlapped inside X, she must continue to give mark-room, see rule 18.2(c). A must also keep clear, initially under rule 12 and then under rule 11. However, if X passes head to wind, rule 18.2(b) ceases to apply and X becomes keep-clear boat under rule 13. Also, while the boats are on opposite tacks on the beat, no part of rule 18 applies.

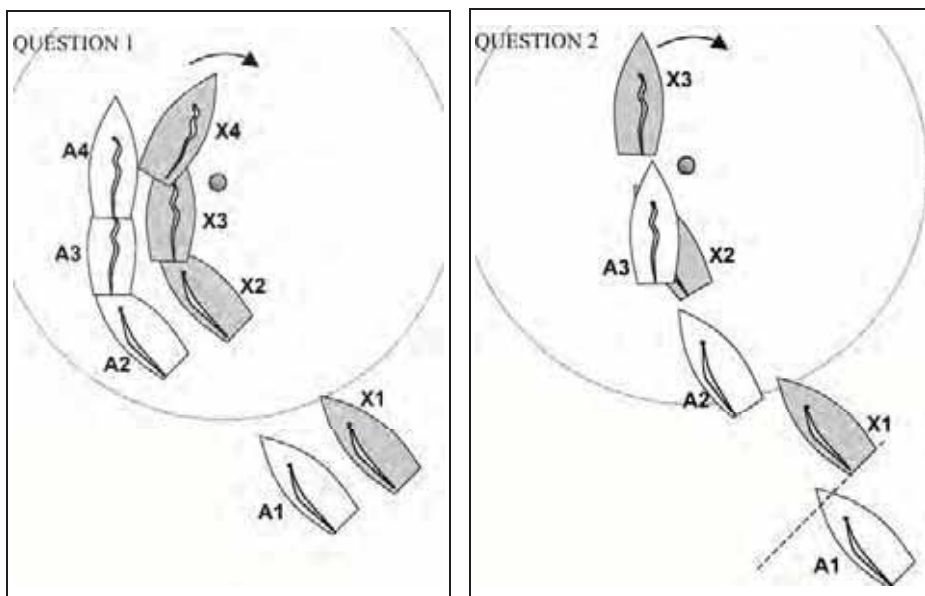
X may therefore luff to head to wind and A must give mark-room and keep clear of X, which she does.

CALL E2

Rule 13	While Tacking
Rule 18.2	Giving Mark-Room
Rule 18.5	Exoneration
Definitions	Mark-Room

Question 1

Approaching a starboard-hand windward mark on starboard tack, A and X are overlapped and level at the zone. A gives X sufficient room to luff to head to wind, but when X begins to tack, her stern swings and hits A. A protests. What should the call be?



Answer 1

A is right-of-way outside boat when X reaches the zone, and must give X mark-room. Mark-room includes room to sail her proper course when at the mark. However, mark-room only includes room to tack when the boat entitled to mark-room is overlapped to windward and on the inside of the boat required to give mark-room. In the situation in Question 1, mark-room includes room for X to tack at the mark. A fails to give X mark-room and breaks rule 18.2(b).

Penalize A and exonerate X under rule 18.5(b) for breaking rule 13.

Question 2

At the same mark A and X are just overlapped on starboard tack at the zone with A behind. A quickly becomes clear astern, but then changes course to be directly behind

X. As X's stern draws level with the mark, A hails 'Don't tack' and prevents X from tacking round the mark. X protests. What should the call be?

Answer 2

No penalty.

A is outside overlapped boat when X reaches the zone, and must give X mark-room. However, although X remains entitled to mark-room when she is at the mark, she is not overlapped to windward of A and the definition mark-room excludes room for her to tack. A gives X mark-room and keeps clear of her as required by rule 12.

Question 3

Will answers 1 and 2 be the same if X had been clear ahead at the zone.

Answer 3

Yes.

When a boat is entitled to mark-room, room for her to sail her proper course at the mark does not include room to tack unless, when at the mark, she is overlapped to windward and on the inside of the other boat. This is true whether or not the boats were overlapped at the zone.

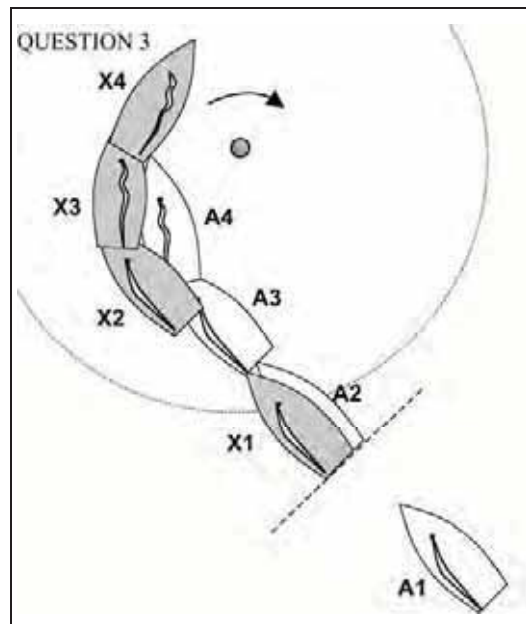
If contact occurs when a windward inside boat tacks at the mark, the contact may be evidence that the outside boat failed to give the inside boat the room she needed to tack.

CALL E3

Rule 13 **While Tacking**
Rule 16 **Changing Course**
Rule 18.1 **When Rule 18 Applies**

Question

X is on starboard tack at the zone of a starboard hand windward mark. She is half a length clear ahead and slightly to leeward of A. At the mark X luffs and tacks. A luffs to round the mark, and as a result A makes contact with X while A is still on starboard tack. X protests. What should the call be?



Answer

Penalize A.

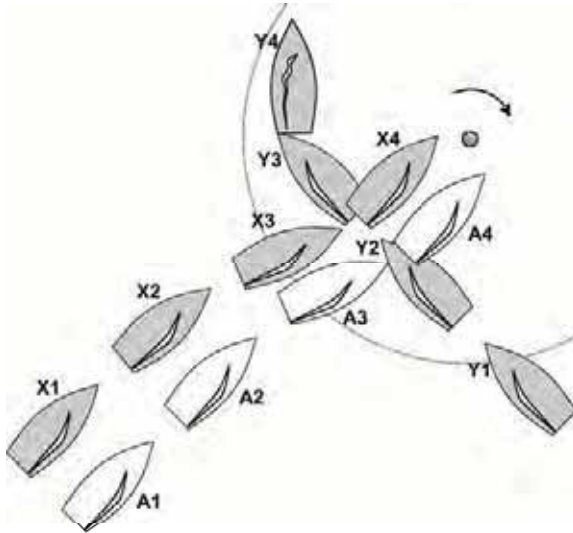
When X passes head to wind, the boats become on opposite tacks on a beat and therefore no part of rule 18 applies. A becomes right of way boat subject to rule 16. Provided X would have kept clear of A if A had not changed course after X passed head to wind, then A fails to give X room to keep clear and breaks rule 16.1.

CALL E4

- Rule 11** **On the Same Tack; Overlapped**
Rule 18.2 **Giving Mark-Room**
Rule 19.2(b) **Giving Room at an Obstruction**
Rule 20 **Room to Tack at an Obstruction**

Question

X and A are approaching a starboard-hand windward mark, overlapped and level, on port tack. A, to leeward, is on the layline. X is on collision course with her team mate Y who is on starboard tack. X hails A for room to pass astern of Y. A gives her room, but as a result is forced to pass the wrong side of the mark. A protests. What should the call be?



Answer

No penalty.

With respect to the windward mark, A is inside boat and has right of way over X, so X must keep clear of A and give her mark-room.

With respect to Y, A and X both have to keep clear of Y, so Y ranks as an obstruction to both. At position 2 A and X are both about to pass the same side of Y, so rule 19.2(b) applies. A is outside boat and must give X room to pass Y.

Once A has given X room to pass Y, X's obligation is to continue to keep clear of A and to give her mark-room. Because A is unable to pass the mark on the correct side, X's only obligation is to keep clear, which she does.

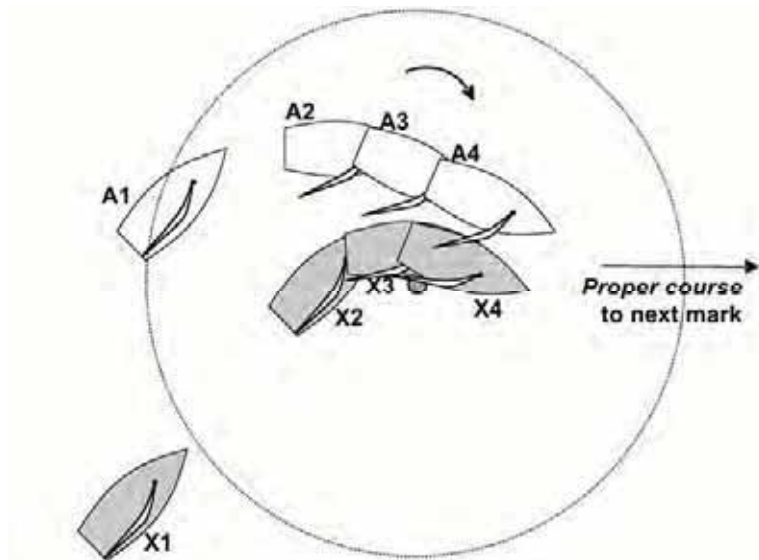
Rule 20, Room to Tack at an Obstruction, does not apply when A and X meet Y, because A does not herself have to make a substantial change of course to avoid Y.

CALL E5

- Rule 11** **On the Same Tack, Overlapped**
Rule 18.2 **Giving Mark-Room**
Rule 18.5 **Decisions: Exoneration**
Rule 64.1(c) **Penalties and Exoneration**

Question

In a steady wind boat A, on port tack, reaches the zone of a starboard-hand windward mark clear ahead and slightly above the layline. The next leg is a beam reach. A stops with her bow $1\frac{1}{2}$ lengths to windward of, and level with, the mark. Boat X, on the port tack layline, tries to sail between A and the mark, but A bears away to 'close the door'. X makes contact with A and the mark and protests. What should the call be?



Answer

Penalize A. When A enters the zone she is clear ahead of X and is entitled to mark-room under rule 18.2(b). Mark-room includes room for A to sail her proper course while at the mark. After position 2, A clearly bears away below her proper course and is no longer taking mark-room to which she is entitled.

After X becomes overlapped to leeward of A, A is required to keep clear. She fails to do so and breaks rule 11. She is not entitled to exoneration under rule 18.5 as she is not rounding the mark on her proper course.

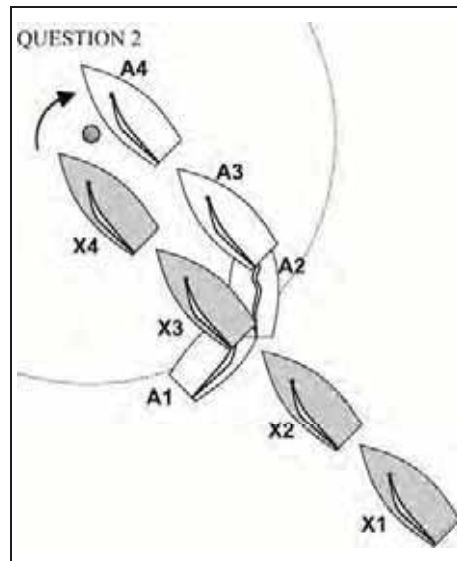
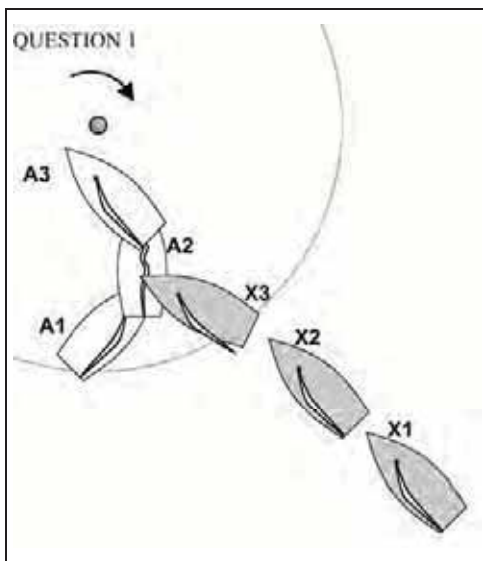
X breaks rule 31 but would not have done so if A had kept clear. Exonerate X under rule 64.1(c).

CALL E6

- Rule 12** **On the Same Tack, Not Overlapped**
Rule 18.2 **Giving Mark-Room**
Rule 18.3 **Tacking when Approaching a Mark**

Question 1

A is approaching a starboard-hand windward mark on port tack, and completes a tack within the zone clear ahead of X. After A is on a close-hauled course X bears away to avoid her. X protests. What should the call be?



Answer 1

No penalty.

A completes her tack at position 3 without breaking rule 13. X is not fetching the mark, so rule 18.3 does not apply. A becomes clear ahead, and X is required to keep clear, which she does.

Question 2

A is approaching a starboard-hand windward mark on port, and completes a tack within the zone inside X. X is on the layline, and does not give A mark-room, forcing A to pass the wrong side of the mark. A protests. What should the call be?

Answer 2

Penalize X.

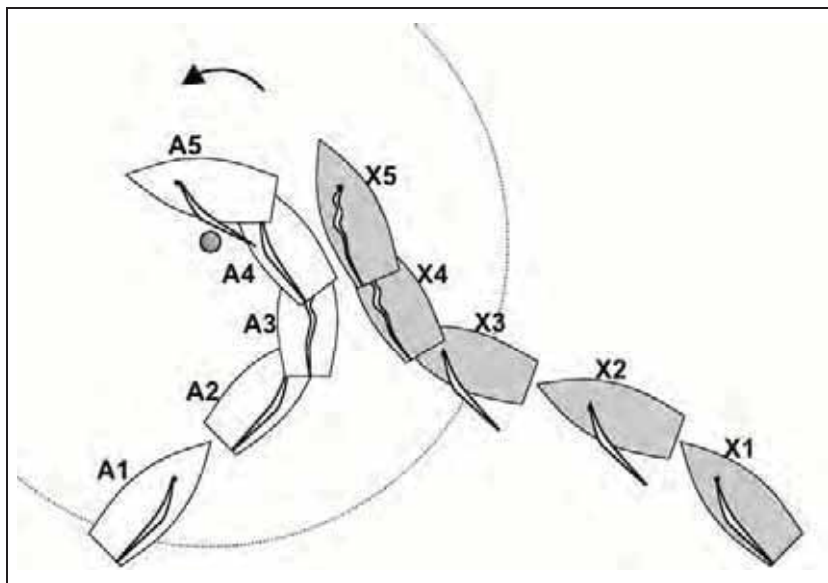
Because X is not fetching the mark, rule 18.3 does not apply. When the boats become overlapped, rule 18.2(a) requires X to give A mark-room. X fails to give mark-room and breaks rule 18.2(a).

CALL E7

Rule 18.3 Tacking When Approaching a Mark

Question

A approaching from port, tacks ahead and to leeward of X inside the zone of a port-hand windward mark. At position 1 X bore away for the mark, but after A completes her tack X has to luff and sail above close-hauled to avoid A. X protests. What should the call be?



Answer

Penalize A.

X's change of course at position 1 does not break rule 16.2 because A is not sailing to pass astern of X.

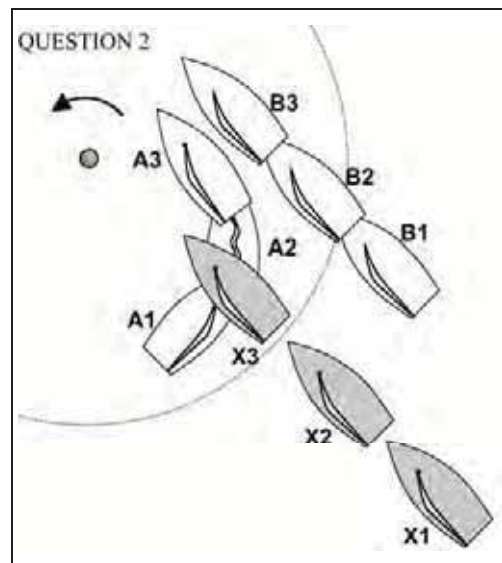
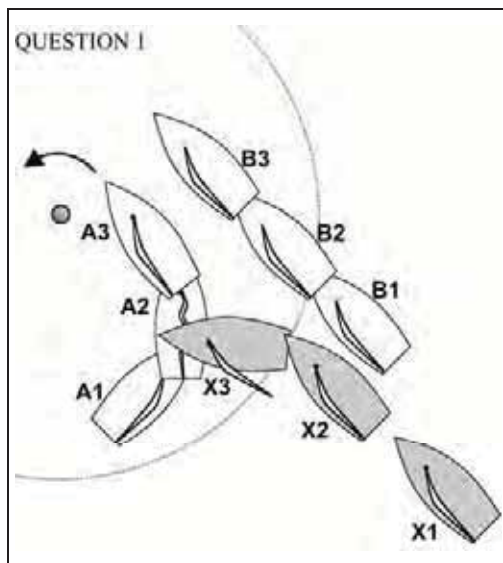
X is fetching the mark and A completes her tack inside the zone. Rule 18.3 therefore applies, and by causing X to sail above close-hauled to avoid her A breaks rule 18.3(a). The fact that X bore away at position 1 does not in any way lessen A's obligation under rule 18.3(a) not to cause X to sail above close-hauled to avoid her.

CALL E8

Rule 18.3 **Tacking When Approaching a Mark**
Rule 18.5 **Exoneration**

Question 1

B reaches the zone of a port-hand windward mark on starboard tack clear ahead of X. A approaches on port and tacks inside the zone ahead of X. A reaches a close-hauled course and X has to bear away to avoid her because of the presence of B. As a result X passes the wrong side of the mark. X protests. What should the call be?



Answer 1

Penalize A.

As B reached the zone clear ahead of X, X must give her mark-room. After A's tack X must keep clear of her under rule 12, and can only do so by passing the wrong side of the mark. A's tack prevents X from passing the mark. A breaks rule 18.3(a).

Question 2

The situation is the same except that A tacks slightly further to windward and X establishes a leeward overlap on A. The presence of B prevents A from giving X mark-room, and X makes contact with A and the mark. X protests. What should the call be?

Answer 2

Penalize A. Exonerate X under rule 18.5 for breaking rules 15 and 16.1. A tacks inside the zone and X is fetching the mark. When X establishes an inside overlap, A is required to give X mark-room. She fails to do so and breaks rule 18.3(b).

X acquires right of way when she becomes overlapped to leeward of A and must give A room to keep clear under rule 15. However, when X luffs, she is rounding the mark on her proper course, and she will be exonerated under rule 18.5(b) for breaking rules 15 and 16.1.

One boat prevents another from passing a mark when her actions compel the other boat to sail the wrong side of the mark.

When a boat must alter course in order to round a mark, she is at the mark.

CALL E9

Rule 18.2 Giving Mark-Room **Definitions Mark-Room**

Question

Boats A, X and B are approaching a mark overlapped, with A required to give mark-room to X and X required to give mark-room to B. Does rule 18.2 require A to give enough room to X to enable her to give mark-room to B before B is at the mark?

Answer

Yes.

Mark-room includes room to sail to the mark and, for X, sailing to the mark includes giving B mark-room. Therefore, rule 18.2 requires A to give X room to give B mark-room.

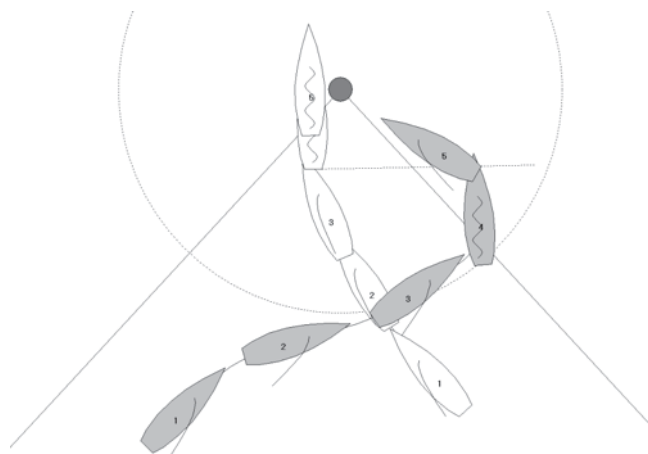
Room to sail to a mark includes room to give room to or keep clear of other boats if required by the rules to do so

CALL E10

Rule 18.1 Mark-room; When Rule 18 applies

Rule 18.2 Giving mark-room

Rule D1.1(b) Changes to rule 18.2(b)



Question 1

A on starboard tack and X on port tack, both close-hauled, are approaching a windward mark. X bears away and passes astern of A. A luffs slowly and nearly stops head to wind with the mark abeam. While A is luffing, X tacks to starboard and bears away towards the mark. A does not give X room at the mark, and X luffs to avoid a collision. There is a valid protest from X. What should the call be?

Answer 1

When A enters the zone, the boats are on opposite tacks on a beat to windward. Therefore, rule 18 does not apply. When X has passed head-to-wind, the boats are overlapped on the same tack and are both in the zone. Therefore, rule 18 applies. There was neither an overlap nor were they clear ahead/clear astern when the first of the two boats entered the zone. Rule 18.2(a) applies and this requires A to give X as an inside boat mark-room. 18.2(e) does not apply because the overlap was created during the tack and not from clear astern. Although X is keep-clear boat, she is entitled to room to sail to the mark and then room to sail her proper course while at the mark. A fails to give this room. Penalize A.

Question 2

Would the answer be different if X completes her tack outside the zone?

Answer 2

No. However, if A is clear ahead when X passes head to wind, rule D1.1(b) applies and X is not entitled to mark-room. By luffing, X keeps clear. No penalty.

CALL E11

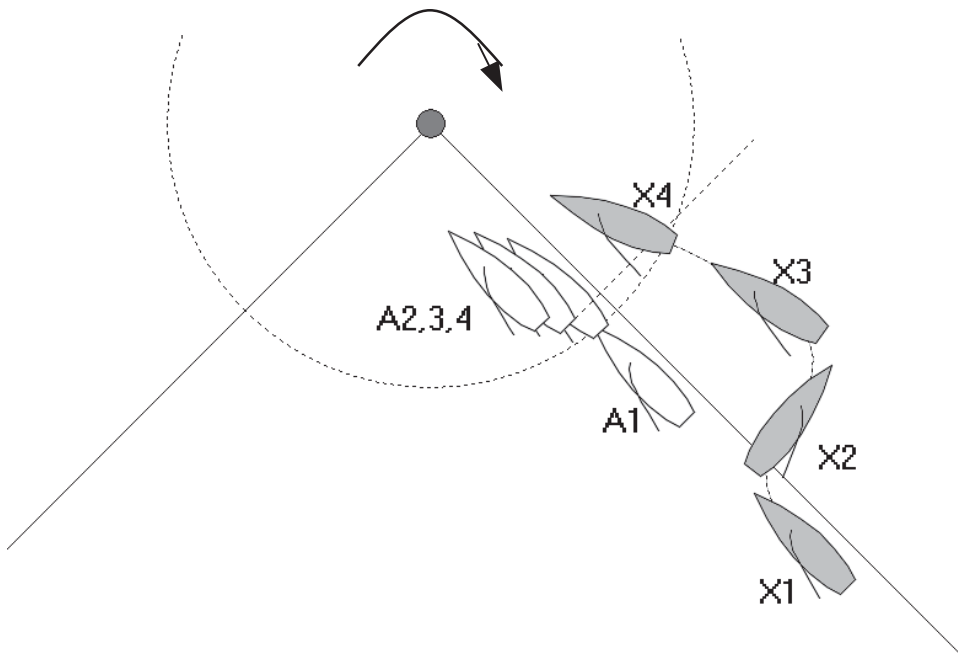
Rule 18.1(a) When Rule 18 Applies

Rule 18.2(b) Giving Mark Room

Rule D1.1(b) Changes to Rule 18.1(b)

Question 1

A on starboard enters the zone of a windward mark clear ahead of X. X tacks onto port and then tacks back onto starboard. She then establishes an inside overlap with A from clear astern. Does A have to give X mark-room?



Answer 1

No. X is required to give A mark-room. At position 1, rule 18.2(b) applies and X must give A mark-room. At position 2, the boats are on opposite tacks on a beat to windward and rule 18 ceases to apply (rule 18.1(a)).

When X tacks back to starboard after position 2, the boats are on the same tack and rule 18 begins to apply again. In particular, rule D1.1(b) applies which changes rule 18.2(b). A becomes clear ahead when X passes head to wind, so X must thereafter give A mark-room.

Question 2

Would the call be different if X's tacks are in the zone?

Answer 2

No. Providing that at the moment X passes head to wind between positions 2 and 3, she is clear astern of A, she must give A mark-room.

See also Call E 10

CALL E12

Rule 11 **On the Same Tack, Overlapped**

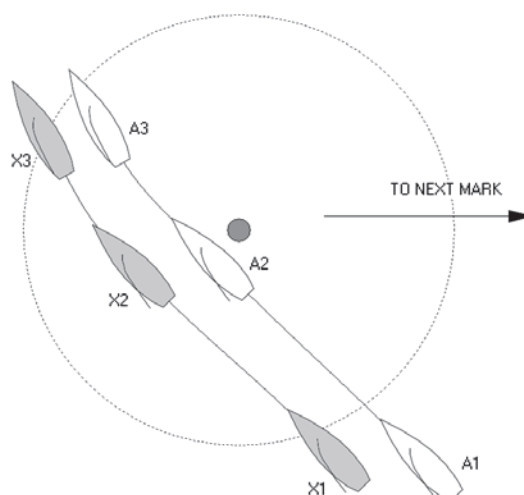
Rule 16.1 **Changing Course**

Rule 18.2 **Giving Mark-Room**

Definitions **Mark-Room**

Question

A and X are approaching a windward mark to be left to starboard. X is overlapped outside A at the zone and must give A mark-room. She does so, including giving room for A to tack at the mark. At position 3 X has luffed slightly while giving A room to keep clear. A responds just enough to keep clear, but there is no longer enough room for her to tack. A protests. What should the call be?



Answer

No penalty.

Mark-room includes room to tack for A because she is overlapped to windward and on the inside of X. The proper course for A at the mark was to tack and X gave her room to do so. The requirement for X to give mark-room ceases when she has given A 'room to sail her proper course while at the mark' (see Definition Mark-Room). At position 3, the boats are no longer at the mark and, as a result, X no longer has an obligation under rule 18.2(b) to give mark-room. A has kept clear as required by rule 11.

When mark-room for a boat includes room to tack and she does not tack, but instead sails clearly beyond where she needed to tack in order to sail her proper course, she ceases to be at the mark.



Question 2

A has rounded the mark and is on the next leg. X is rounding the mark. Rule 17 does not apply to A. A luffs above her proper course to slow X. X protests. What should the call be?

Answer 2

No penalty.

As both boats are sailing toward the next mark, they are on the same leg. Therefore, A does not break rule 23.2.

When boats are rounding a mark on the same required side, even when one or both of them may be making a very wide rounding, they are sailing on the same leg.

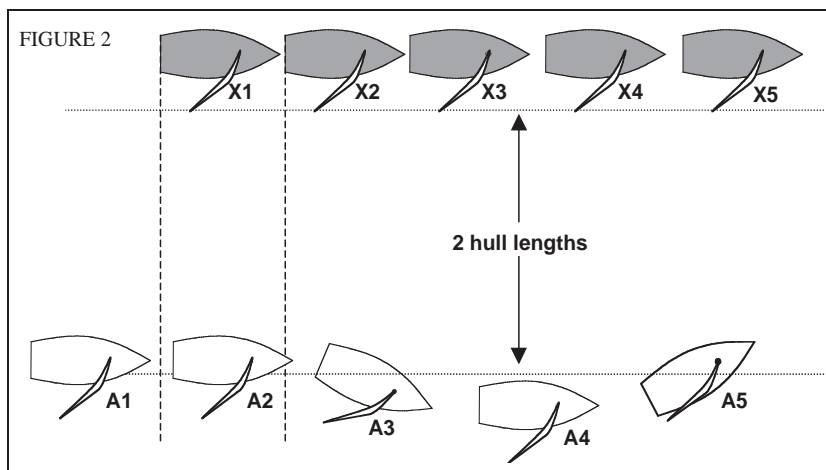
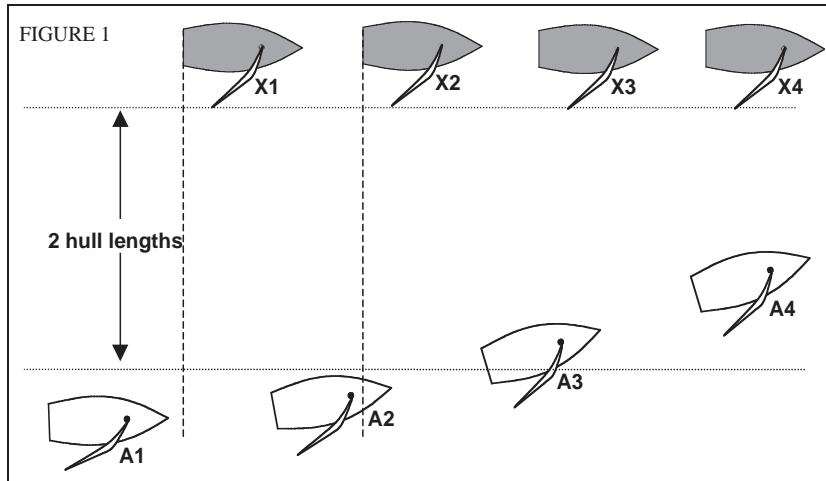
After the starting signal, a boat that passes the wrong side of a mark is not on the same leg of the course as a boat that is passing the mark on the required side.

CALL F1

Rule 17 On the Same Tack; Proper Course

Question

Under what circumstances can A establish a leeward overlap from clear astern and still have the right to sail above her proper course?



Answer

Figure 1: The overlap is established when the boats are more than two lengths apart. Rule 17 doesn't apply to A and she is entitled to sail above her proper course.

Figure 2: The overlap is established when the boats are less than two lengths apart. A may not sail above her proper course while the boats remain within this distance. However if A sails more than two lengths away from X without breaking the overlap, she no longer has a proper course restriction and is entitled to sail above her proper course.

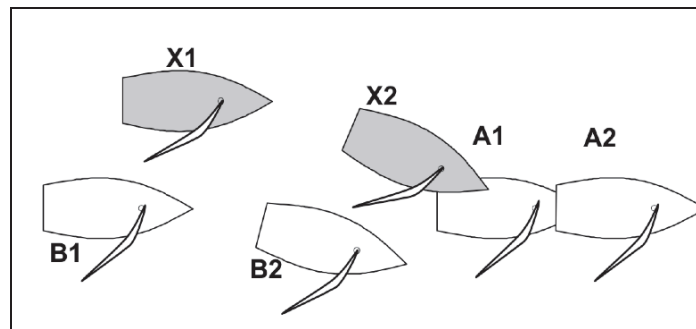
The distance between boats is measured between the closest points of hull, crew or equipment in normal position.

CALL F2

Rule 11 **On the Same Tack, Overlapped**
Rule 19.1 **When Rule 19 Applies**
Rule 19.2 **Giving Room at an Obstruction**
Definitions **Obstruction**

Question

Three boats, A, X and B, are reaching on proper courses. B is approximately two lengths directly behind A's stern. X is overlapped to windward of B and half a length ahead. A slows, intending to luff X. X hails for room to pass to leeward of A and bears away, causing B to have to bear away to avoid her. B protests. What should the call be?



Answer

Penalize X.

A is a right-of-way boat and is therefore an obstruction to X and B. Because B is a right-of-way boat with regard to X, B may choose to pass A on either side. X must keep clear of B, but if B chooses to pass A to leeward, she must give X room between her and A. When X bears away between positions 1 and 2, she fails to keep clear as windward boat and breaks rule 11.

Question 2

Would the answer be the same if B is sailing a course to pass to leeward of A?

Answer 2

No. If at position 1, B is sailing a course to pass to leeward of A and X hails for room to pass to leeward of A as well, then at the point when X needs to commit to passing to leeward of A, B is the outside boat and must give X room under rule 19.2(b). If she fails to do so, penalize B.

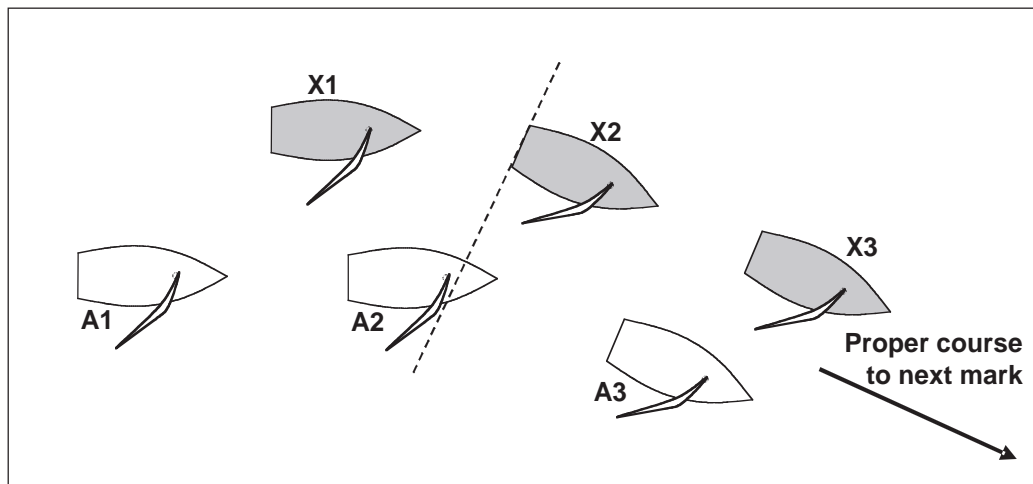
If, when it becomes clear that B is not giving room, the umpires decide that X could have kept clear of B, also penalize X for breaking rule 11; otherwise exonerate X under rule 64.1(c).

CALL F3

Rule 17 On the Same Tack; Proper Course

Question

A and X are reaching, both above their proper courses, with X just clear ahead and one length to windward of A. X bears away so that the boats become overlapped. A promptly bears away to a proper course. X protests. What should the call be?



Answer

Rule 17 begins to apply when the boats become overlapped. From that moment on, A must sail no higher than her proper course from the position she is in when the overlap begins (position 2) - i.e., she must sail no higher than a course that she would sail in the absence of X from position 2 to reach the next mark as quickly as possible. By bearing away promptly, A complies with this rule. No penalty.

The answer is the same if the overlap is established through A sailing faster rather than X bearing away.

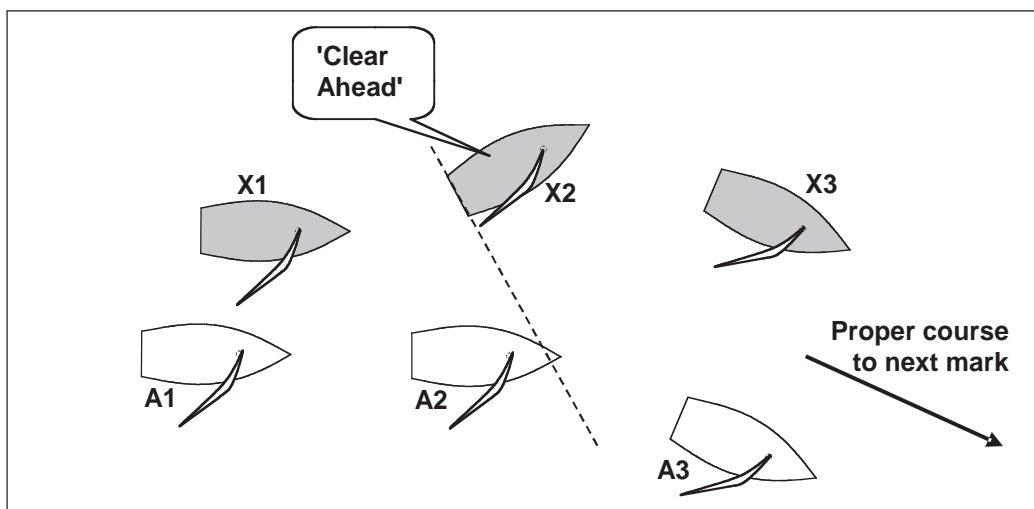
A boat has no obligation to be on a proper course in anticipation of a proper course requirement that does not yet exist. A new requirement to sail a proper course applies from that time and from the position the boat is then in.

CALL F4

Rule 11 **On the Same Tack, Overlapped**
Rule 17 **On the Same Tack; Proper Course**

Question

A and X are reaching, both above their proper courses. They are overlapped and A is entitled to sail above her proper course. X luffs, trying to become clear ahead. Then, believing (wrongly) she is clear ahead, she hails 'Clear Ahead'. A bears away to a proper course and protests. What should the call be?



Answer

No penalty. X's hail of what she believes to be true does not carry any significance within the rules. Because X has failed to become clear ahead, A is under no obligation to bear away to a proper course.

If A does not bear away, then X may protest; in the above circumstances the umpires would again signal no penalty.

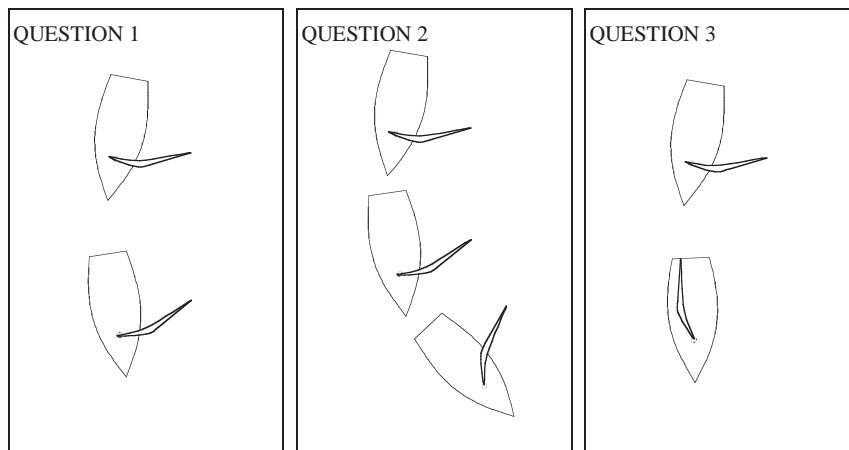
If X were to bear away and cause contact, then she would break rule 11 whether or not her luff had broken the overlap.

CALL G1

Definitions Leeward and Windward
Definitions Tack, Starboard or Port

Question 1

A boat sailing downwind on starboard tack bears away until she is sailing by the lee, with the wind continuing to fill her mainsail. Which tack is she on?



Answer 1

Starboard tack. The definition states that 'when (a boat is) sailing by the lee or directly downwind, her leeward side is the side on which her mainsail lies'. Since her mainsail remains filled on her port side, the port side is her leeward side. She is on the tack 'corresponding to her windward side', i.e. starboard tack.

Question 2

The boat now bears away further, with her boom still out over her port side, because now her crew is holding it there while the wind is backing her mainsail. Which tack is she now on?

Answer 2

Port tack. She is now neither running directly downwind nor sailing by the lee. She is therefore on the tack corresponding to the side which is away from the wind. In this case there can be no doubt that this side is her starboard side; she is therefore on port tack.

Question 3

A boat on starboard tack bears away until she heads directly downwind and to slow her speed, her crew holds the boom along the centreline. The wind is hitting the port side of her mainsail, although this is indicated only by her leech moving towards her starboard side. Which tack is she on?

Answer 3

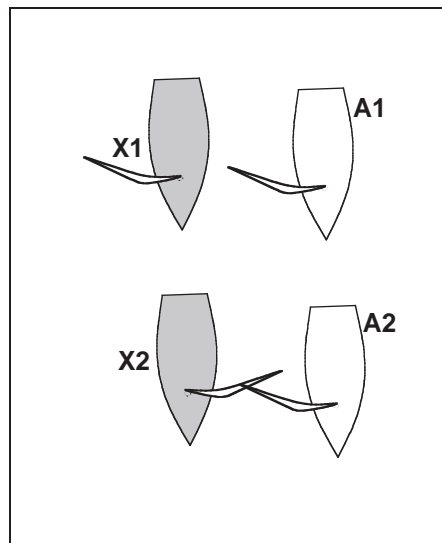
Port tack. As she is sailing directly downwind her leeward side is defined as the side on which her mainsail lies. This is her starboard side. She is therefore on port tack.

CALL G2

Rule 10 **On Opposite Tacks**
Rule 11 **On the Same Tack, Overlapped**

Question

Two boats A and X are running directly downwind, both on port tack. X, the leeward boat, gybes onto starboard without changing course, and her boom hits A's boom. A protests. What should the call be?



Answer

A breaks rule 10. Penalize A.

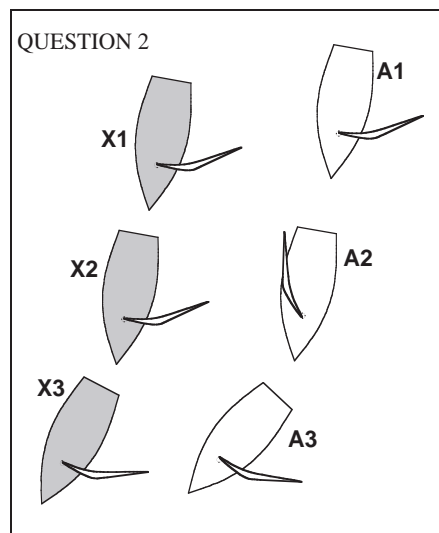
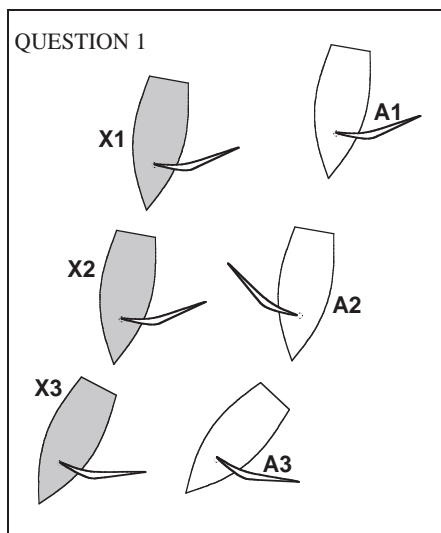
At position 1 A is required by rule 11 to keep clear. After X gybes, A is required by rule 10 to keep clear. X cannot have broken rule 16.1, because she does not change her course. As A has been keep clear boat throughout, rule 15 does not apply to X.

CALL G3

Rule 17	On the Same Tack; Proper Course
Definitions	Leeward and Windward
Definitions	Overlap
Definitions	Tack, Starboard or Port

Question 1

A and X are overlapped on starboard tack on a very broad reach. A is subject to rule 17. Without changing course, A gybes, allowing her boom to go right across and her sail to fill on the new tack. She then immediately gybes back and luffs X. X responds to the luff and protests. What should the call be?



Answer 1

No penalty.

Because A's sail fills in a running position after the gybe, she is sailing by the lee, and has therefore changed tack and rule 17 ceases to apply. When she gybes back onto starboard tack, rule 17 does not apply.

Question 2

The circumstances are the same except that A's first 'gybe' is performed by pulling the boom just across the centre-line, flicking the boom so the sail fills on the new side, and then immediately pushing the boom back to the previous side. A then luffs, X responds and protests. What should the call be?

Answer 2

Penalize A.

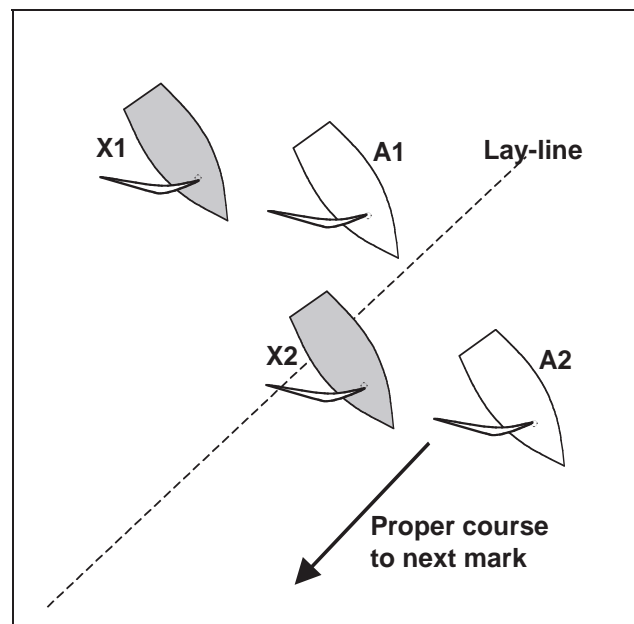
A is never sailing by the lee. Therefore the tack she is on is determined by her windward side. Because this does not change, she remains on starboard tack throughout the manoeuvre and therefore breaks rule 17 when she luffs.

CALL G4

Rule 17 **On the Same Tack; Proper Course**
Definitions **Proper Course**

Question 1

Nearing the end of the downwind leg, A and X are overlapped on the same tack; X is subject to rule 17 and is sailing her proper course. Soon her proper course will be to gybe for the mark. When must she begin bearing away to gybe?



Answer 1

X must bear away to gybe at the time she would have borne away to gybe to finish as quickly as possible, had A not been there. If she clearly delays beyond this time she breaks rule 17 by sailing above her proper course.

Question 2

When X is clearly beyond the layline A protests. What should the call be?

Answer 2

X breaks rule 17. Penalize X.

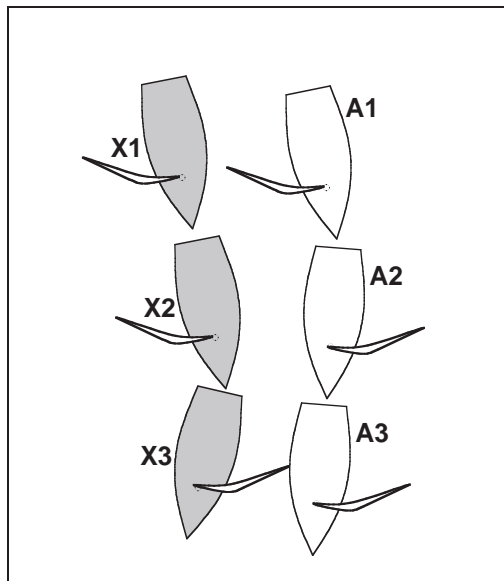
In cases where there is doubt whether or not X is beyond the layline: no penalty.

CALL G5

Rule 10 **On Opposite Tacks**
Rule 15 **Acquiring Right of Way**

Question

Boats A and X are running on port tack, overlapped and level, with their hulls between $\frac{1}{2}$ and 1 length apart. A, the windward boat, gybes onto starboard tack and then holds her course. X responds promptly by gybing but her boom hits A's hull. A protests. What should the call be?



Answer

When A gybes onto starboard, she acquires right of way, and must initially give X room to keep clear.

If X reacts promptly, and in a seamanlike way, and contact occurs, then A breaks rule 15. Penalize A.

If X either delays her response, or gybes in an unseamanlike way, and as a result contact occurs, then X breaks rule 10. Penalize X.

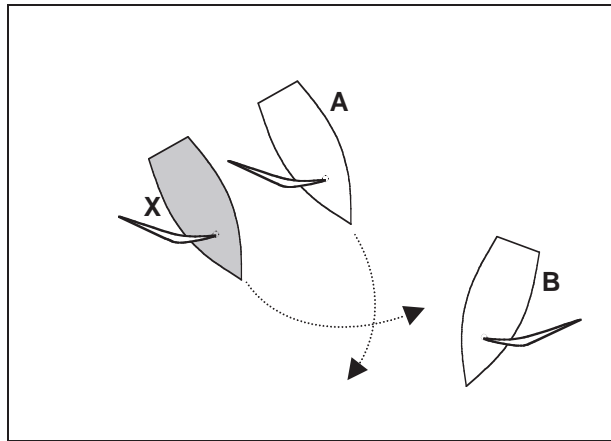
When a boat gains right of way and another boat must take action to keep clear, the keep-clear boat must begin to take that action immediately and the right-of-way boat must give her room to do so. A seamanlike gybe includes letting the boom go out at the end of the gybe, but not necessarily fully. It also includes rolling the boat, but only to the extent required to facilitate steering. See also Umpire Principle 4.

CALL G6

Rule 11 **On the Same Tack, Overlapped**
Rule 17 **On the Same Tack; Proper Course**
Rule 19 **Room to Pass an Obstruction**

Question 1

A and X are overlapped on port tack on a downwind leg. X is subject to rule 17. Both boats are on collision course with B on starboard tack. A hails for room to gybe but X luffs to pass astern of B, which is a proper course for X. A keeps clear and protests. What should the call be?



Answer 1

Rule 19 applies between boats at an obstruction. The right-of-way boat may choose to pass an obstruction on either side. A must keep clear of X, and X must not sail above her proper course. A keeps clear of X and gives her room while she does so. No penalty.

Question 2

How close to the obstruction can X be before she makes her choice?

Answer 2

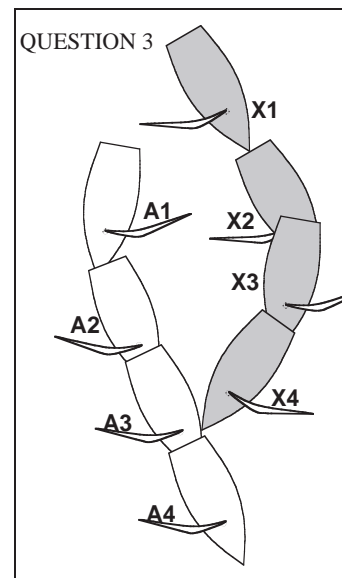
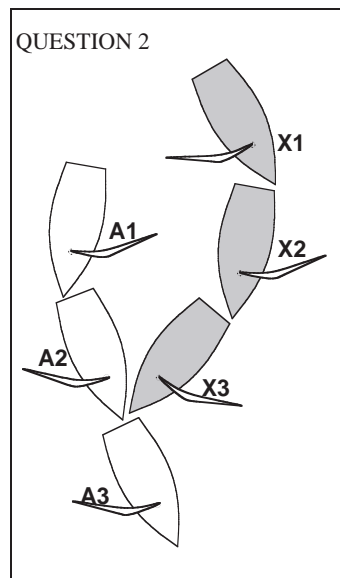
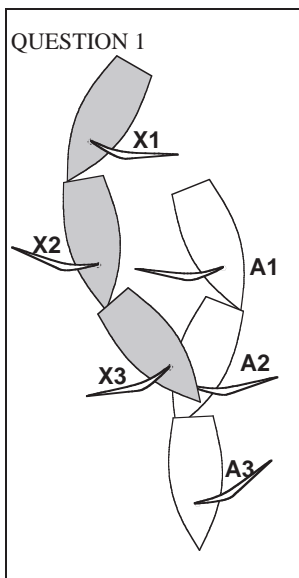
If X chooses to luff, she must be far enough from B to both keep clear of B and give A room to keep clear under rule 16.1. If X chooses to gybe, she must be far enough from B to give A room under rule 19.2(b) to pass on the same side of B.

CALL G7

- Rule 10** **On Opposite Tacks**
Rule 15 **Acquiring Right of Way**
Rule 16.2 **Changing Course**

Question 1

A and X are on opposite tacks on a run. A crosses ahead of X on port, bears away and gybes onto starboard. At the same time X bears away and gybes onto port. X is crossing astern of A, but A bears away again causing X immediately to luff to avoid contact. X protests. What should the call be?



Answer 1

A acquires right of way through her own actions, and must initially give X room to keep clear. A gives X room: at position 2 X is keeping clear of, and crossing, A. When A alters course after position 2, X has to change course immediately to continue to keep clear. A breaks rule 16.2. Penalize A.

Question 2

The circumstances are similar except that initially A is on starboard and X on port tack. Both boats bear away and gybe simultaneously. X has to alter course to avoid A. X protests. What should the call be?

Answer 2

A gives up right of way by gybing, so rule 15 does not apply. A fails to keep clear and breaks rule 10. Penalize A.

Question 3

As question 2 except that A gybes momentarily before X.

Answer 3

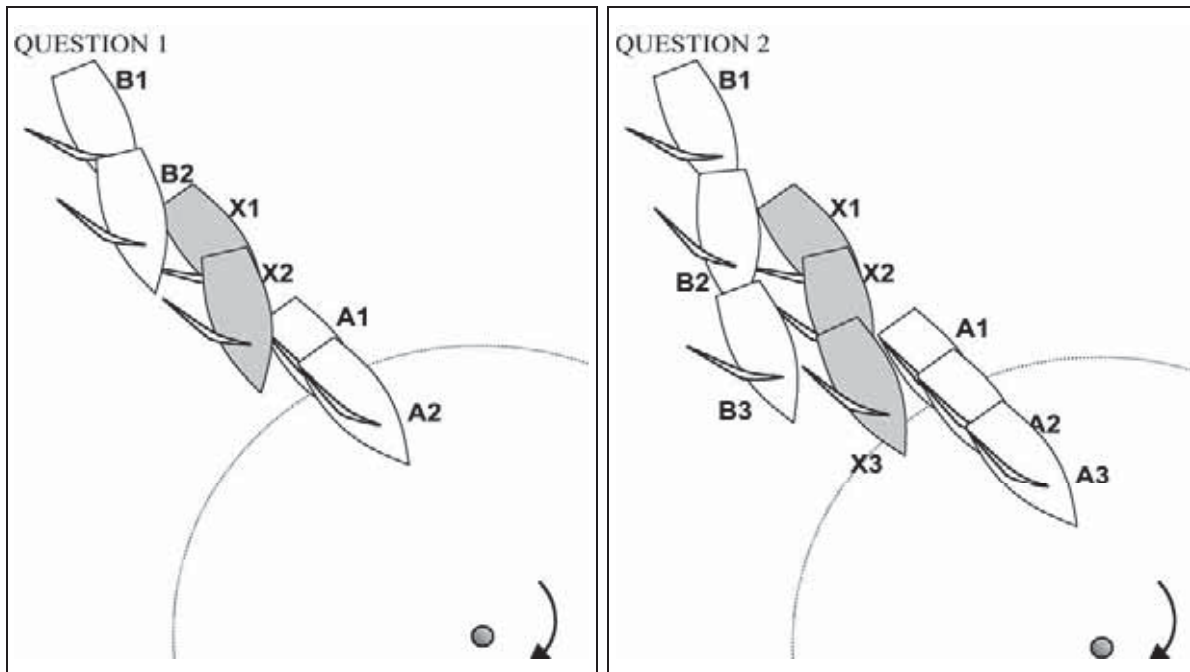
A retains right of way when she gybes. X acquires right of way when she gybes, so rule 15 applies and X must initially give A room to keep clear. X gives A room by luffing. No penalty.

CALL H1

- Rule 12** **On the Same Tack, Not Overlapped**
Rule 18.2 **Giving Mark-Room**
Rule 19.2 **Giving Room at an Obstruction**

Question 1

Three boats A, X and B, all on port tack, are approaching a gybe mark directly astern of each other. A enters the zone clear ahead of X, and then stops just inside the zone. B bears away onto a course to pass to leeward of X. X then bears away to pass to leeward of A, and B and X become overlapped. B bears away to avoid X and protests. What should the call be?



Answer 1

No penalty.

A is initially an obstruction to X and B because they are both required to keep clear of her under rule 12. At position 1, X has right of way over B and rule 19.2(a) allows her to choose which side to pass the obstruction A. When X and B become overlapped, B must give room to X under rule 19.2(b).

Question 2

If X and B are overlapped when X reaches the zone of the mark, how does this limit the boats' actions?

Answer 2

X and B are required to give A mark-room under rule 18.2(b). B must also give X room to pass between her and A because A is an obstruction until X is overlapped to leeward of A (see answer 1 above).

When X enters the zone, she is overlapped outside B and rule 18.2(b) requires her to give B mark-room, whether or not the overlap between them is subsequently broken. If X has been unable to give mark-room from the time the overlap began, she is not required to give mark-room, see rule 18.2(e). However, if X is able to give B mark-room by slowing and then luffing astern of A, rule 18.2(e) will not apply and, if X fails to do so, she will break rule 18.2(b).

The presence of A may mean both X and B have to pass the wrong side of the mark.

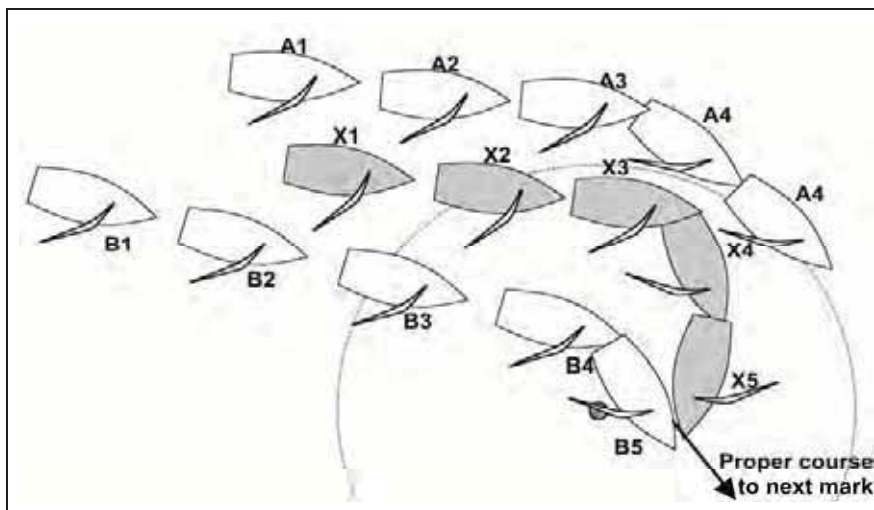
A boat racing is an obstruction for other boats if and only if they are required to keep clear of her.

CALL H2

Rule 15	Acquiring Right of Way
Rule 16.1	Changing Course
Rule 18.2	Giving Mark-Room
Rule 18.5	Exoneration
Rule 31	Touching a Mark

Question

Three boats A, X, and B are approaching an off-wind mark to be left to starboard. The proper course after the mark is a broad reach on port tack. X has no proper course restriction, and is luffing A to slow her. When X reaches the zone, B is clear astern. When B is alongside the mark, X bears away and gybes to prevent B from passing between her and the mark. B touches X and the mark and protests. What should the call be?



Answer

Penalize X.

At position 2 B is subject to rule 18.2(b), and shall thereafter give X mark-room. However, X's change of course after position 4 is not consistent with sailing her proper course at the mark and she is no longer entitled to exoneration for breaking rules 15 or 16.1.

If in this situation either the presence of the mark or X's change of course or both prevent B from keeping clear, then X breaks rules 15 and 16.1. B complies with rule 18.2(b) at the mark by giving X room to sail her proper course, and B is therefore exonerated under rule 64.1(c) for breaking rules 10 and 31.

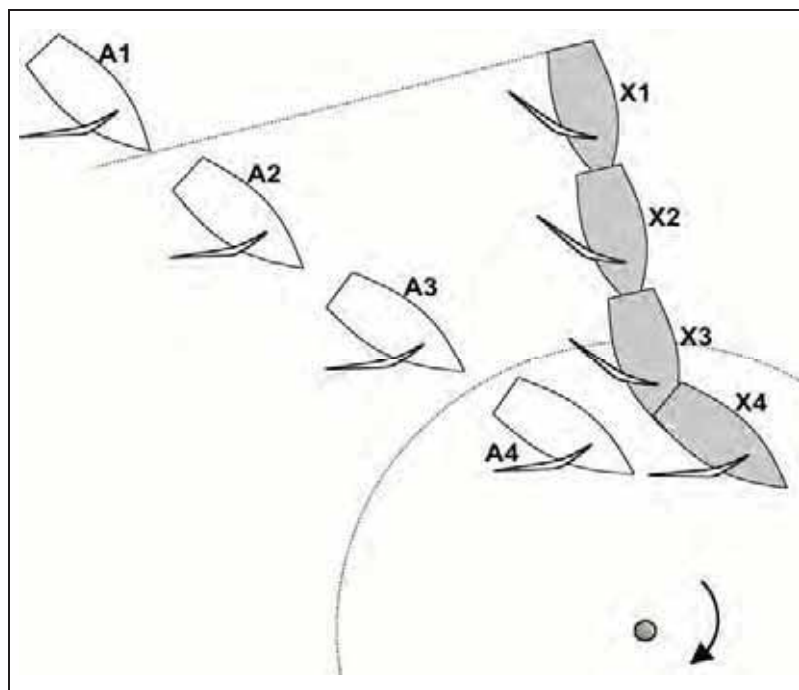
It is not seamanlike to hit a mark. When a keep-clear boat is keeping clear, and is then forced to hit a mark by a right-of-way boat changing course, she has not been given room.

CALL H3

Rule 17 **On the Same Tack; Proper Course**
Rule D1.1(c) **Deletion of rule 18.4**

Question

When five lengths from a gybe mark to be left to starboard, A, sailing faster, establishes an overlap from astern three lengths to leeward of X. Although A's proper course is to gybe to round the mark, she sails X away from the mark. X protests. What should the call be?



Answer

No penalty.

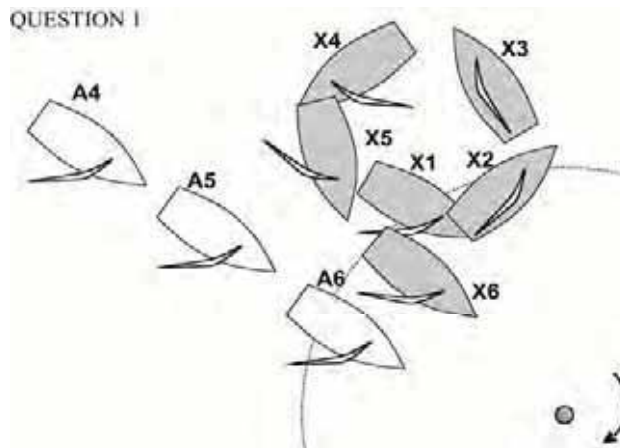
Because the overlap is established when A and X are more than two lengths apart, rule 17 does not apply and A may sail above her proper course. Rule 18.4 does not apply (see rule D1.1(c)), and therefore A may delay her gybe to sail A away from the mark.

CALL H4

- Rule 18.1** **When Rule 18 Applies**
Rule 18.2 **Giving Mark-Room**
Rule 21.2 **Taking a Penalty**

Question 1

A penalized boat X on port tack is well ahead of A and within two lengths of the mark which is to be left to starboard. X then exonerates herself through an anti-clockwise turn. When X completes her penalty, A is within the zone and has an inside overlap on X. A hails for mark-room. X gives room and protests. What should the call be?



Answer 1

No penalty.

When X leaves the zone in position 3, neither boat is in the zone and rule 18 ceases to apply. While X is taking her penalty, she is subject to rule 21.2, and is keep-clear boat. When X achieves a course more than 90 from the true wind at position 4 the boats become overlapped and, when she completes her penalty at position 5, she remains keep-clear boat, now under rule 11. When one of the boats then reaches the zone, rule 18 applies again and X, as the outside boat, is also required to give A mark-room under rule 18.2(b).

Question 2

The situation is the same except that the mark is to be rounded to port. At position 5, X hails for mark-room. A gives mark-room and protests. What should the call be?

Answer 2

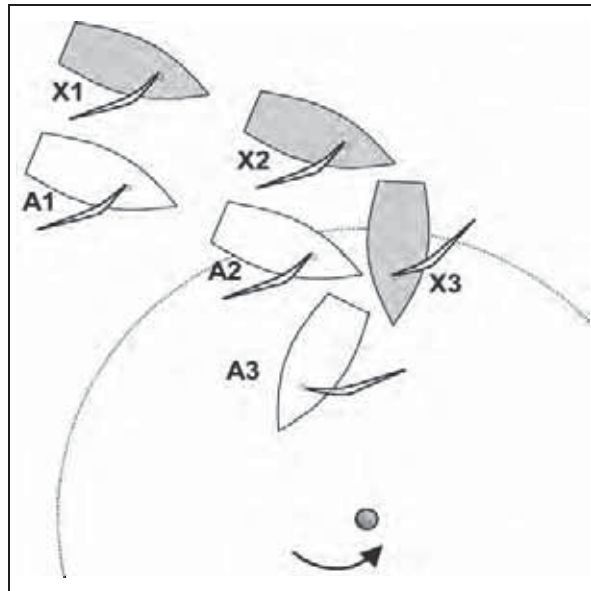
No penalty. The boats are overlapped when the first of them enters the zone. Rule 18.2(b) applies, and A must give X mark-room.

CALL J1

Rule 18.1 **When Rule 18 Applies**
Rule 18.2 **Giving Mark-Room**

Question

A and X are overlapped, broad reaching on port tack towards a leeward mark which is to be left to port. A has no proper course restriction, and is steering a course approximately $1\frac{1}{2}$ lengths to windward of the mark. A maintains her course until she is $1\frac{1}{2}$ lengths from the mark, then gybes to give X room. X protests. What should the call be?



Answer

Penalize A.

Rule 18 starts to apply when one of the boats enters the zone. From that moment A must sail a course to give X mark-room. By maintaining her course to position 2, A breaks rule 18.2(b).

It is not significant whether or not X hails for room.

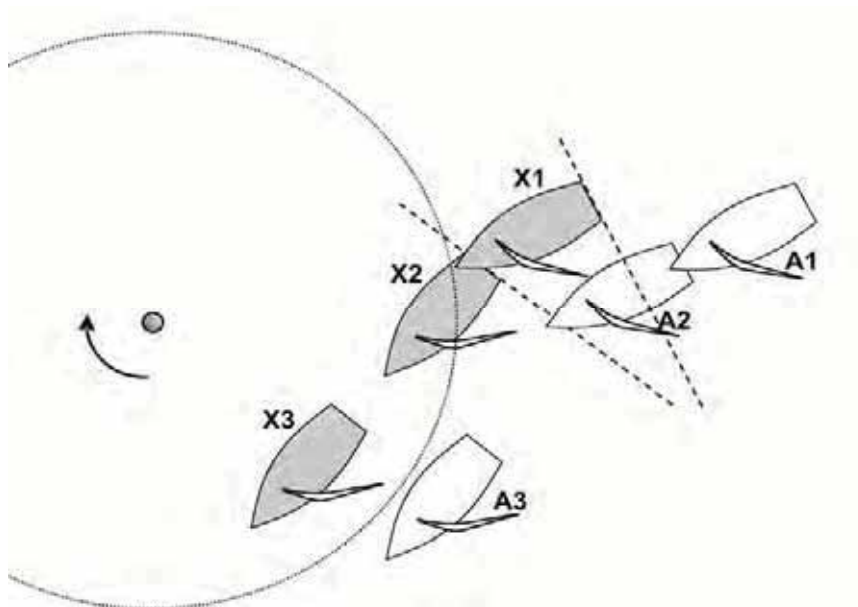
A boat required to give mark-room is required to do so from the time rule 18 starts to apply.

CALL J2

Rule 11 **On the Same Tack, Overlapped**
Rule 18.2 **Giving Mark-Room**
Definition **Mark-Room**

Question

A and X are approaching a leeward mark to be left to starboard. When X reaches the zone she is clear ahead of A. X bears away and at position 2 A gains a leeward overlap. X maintains her course until position 3 when A protests. What should the call be?



Answer

Penalize X.

When X reaches the zone, rule 18 starts to apply and A is required to give her mark-room, which she does. From position 2, X is windward boat and must keep clear of A under rule 11. X breaks rule 11 when A needs to alter course to avoid her.

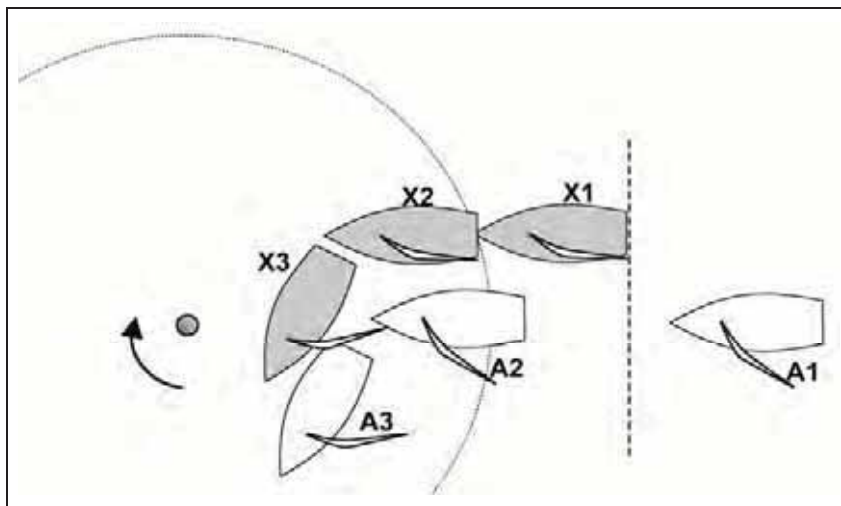
Mark-room includes room for X to sail to the mark, but because she is sailing below her course to the mark she is taking more room than needed and cannot be exonerated under rule 18.5 for breaking rule 11.

CALL J3

Rule 11 **On the Same Tack, Overlapped**
Rule 18.2 **Giving Mark-Room**
Rule 18.5 **Exoneration**

Question

X is on a reach clear ahead of A when she enters the zone of a leeward mark. X's course will take her to windward of the mark. She slows, and A becomes overlapped to leeward and about ½ boat's width from her. X now bears away hard to round the mark. A reacts promptly, but is unable to keep clear. A protests. What should the call be?



Answer

Penalize A.

A must give X room to sail to the mark. At position 2, she fails to do so and breaks rule 18.2(b).

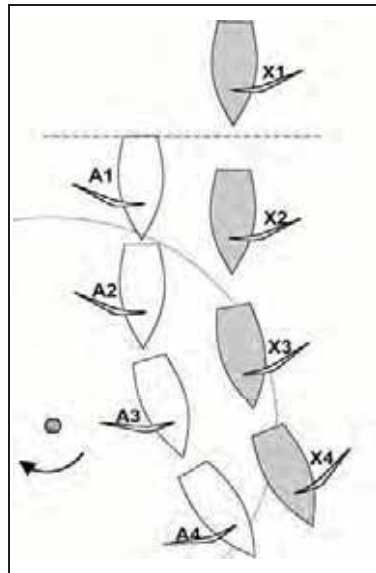
When X bears away after position 2, she breaks rule 11 (a rule of Section A). However, her course alteration is consistent with sailing her course to the mark and, because A fails to give her mark-room, X is exonerated under rule 18.5(a).

CALL J4

Rule 10 **On Opposite Tacks**
Rule 18.1 **When Rule 18 Applies**
Rule 18.2 **Giving Mark-Room**

Question

Boats A on port tack and X on starboard are sailing parallel courses on a run and are approaching a starboard-hand leeward mark. A is clear ahead when she reaches the zone. A slows and X becomes overlapped outside her. A now sails past the mark and luffs slightly. X has to change course and protests. What should the call be?



Answer

Penalize A.

When A reaches the zone, she is on port tack and must keep clear. However, she is entitled to mark-room under rule 18.2(b).

At position 2, A is sailing her course to the mark and the obligation on X to give her mark-room remains.

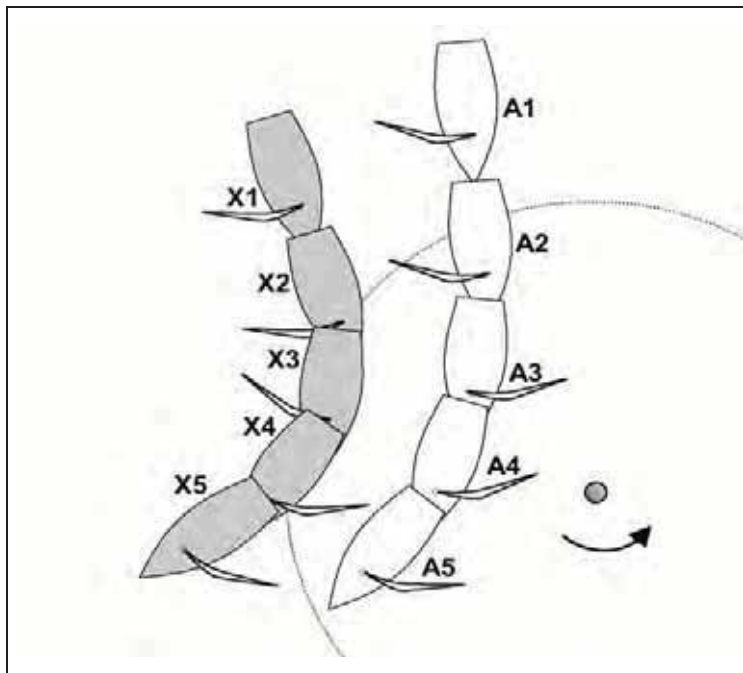
After position 3, A is no longer sailing her proper course to round the mark. A must keep clear under rule 10, and by causing X to change course A fails to keep clear.

CALL J5

Rule 10	On Opposite Tacks
Rule 11	On the Same Tack, Overlapped
Rule 17	On the Same Tack; Proper Course
Rule 18.2	Giving Mark-Room
Rule D1.1(c)	Deletion of Rule 18.4
Definitions	Overlap

Question

A and X are overlapped, running on port tack towards a leeward mark to be left to port. When inside the zone A gybes onto starboard and changes course towards X. X is forced to gybe, and A then luffs X away from the mark. X protests. What should the call be?



Answer

Initially X is required to give A mark-room.

When A gybes she acquires right of way and X must now also keep clear. Rules 17 and 18.4 do not apply and A may sail above her proper course.

A is entitled to luff from position 3 provided she gives X room to keep clear. No penalty.

CALL J6

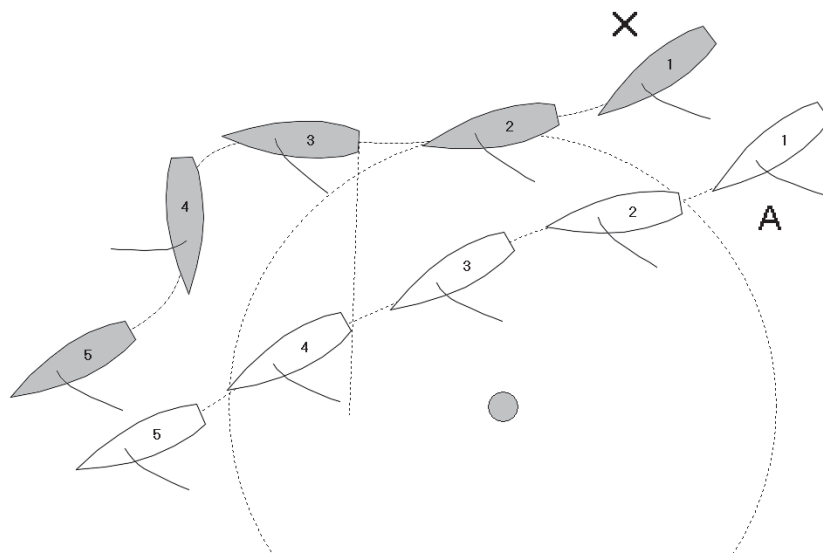
Rule 17 **On the Same Tack; Proper Course**

Rule 18.1 **When Rule 18 Applies**

Definitions **Overlap**

Question 1

A and X are overlapped and approaching a leeward mark that is to be left to port. A is entitled to sail above her proper course. At position 3, X luffs and breaks the overlap. At position 4, X gybes onto port and, before she changes tack, the boats become overlapped again. A maintains her course and hails 'Starboard'. X gybes to keep clear. There is a valid protest. What should the call be?



Answer 1

No penalty. X bears away before gybing at position 4, and creates a new overlap. For a very short time X and A are on the same tack, during which time A is required by rule 17 not to sail above her proper course. When almost immediately thereafter X changes tack (position 4), rule 17 ceases to apply and remains inapplicable while the boats remain overlapped.

Question 2

Would the answer be the same if neither boat were in the zone?

Answer 2

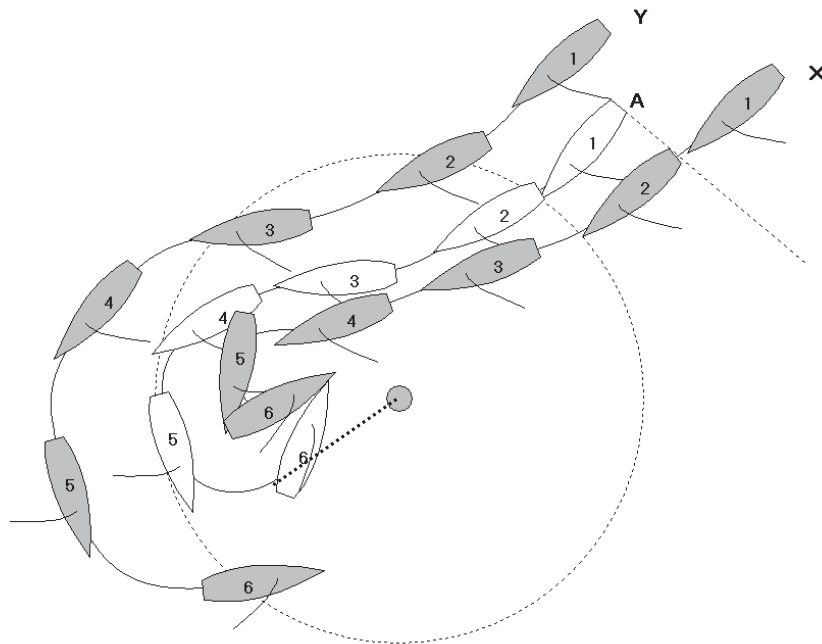
Yes

CALL J7

- Rule 11** **On the Same Tack, Overlapped**
Rule 16.1 **Changing Course**
Rule 18.2 **Giving Mark-Room**
Rule 18.5 **Exoneration**
Rule 64.1(c) **Penalties and Exonerations**

Question

When A reaches the zone of a downwind mark to be left to port, she is clear ahead of X, and overlapped with Y to windward. Rule 17 does not apply between A and Y. A luffs Y away from the mark without breaking rule 16. A remains inside the zone, and then gybes and returns to prevent X from rounding the mark inside her. After the gybe, A luffs quickly, clearly above her proper course to round the mark, without giving X room to keep clear. There is contact between A and X. There is a protest. What should the call be?



Answer

Because X was clear astern of A at the zone, rule 18.2 requires that she thereafter give A mark-room. Although rule 18 continues to apply while either of the boats are in the zone, the exoneration in rule 18.5(b) only applies to A's alteration of course as long as it is consistent with rounding the mark on her proper course.

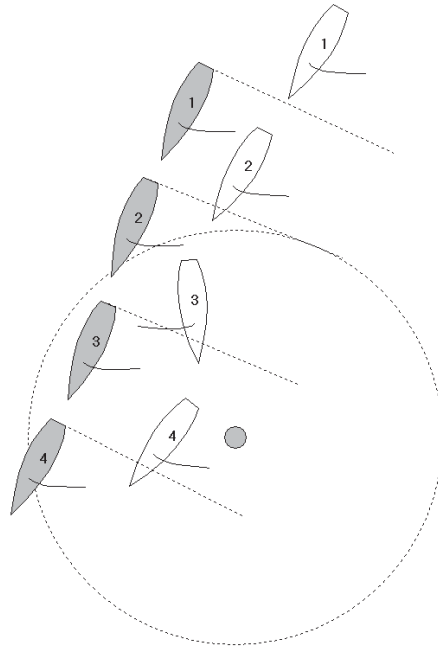
Because A's alteration of course to position 6 is not consistent with her proper course, she breaks rule 16.1 by not giving X room to keep clear. Penalize A.

X is required by rule 11 to keep clear of A. However, if the umpires decide that X would have kept clear if A had not broken rule 16.1, X will be exonerated under rule 64.1(c) for that breach. If the umpires decide that X was not keeping clear irrespective of the luff by A, penalize both; A for breaking rule 16.1 and X for breaking rule 11.

When rule 18.2(b) applies between two boats and the boat entitled to mark-room is taking the mark-room to which she is entitled, she will be exonerated under rule 18.5 (b) for breaking rule 16.1 when her change of course is consistent with rounding the mark on her proper course.

CALL J8

Rule 17 Proper course



Question

Approaching a leeward mark to be left to port, White establishes a leeward overlap on Grey from clear astern before Grey enters the zone. White then gybes onto port and, while still overlapped, gybes back onto starboard.

White does not round the mark but continues on starboard, thereby sailing above a proper course.

Grey makes a valid protest. What should the call be?

Answer

No penalty.

When White first establishes the overlap, she is subject to rule 17 and may not sail above a proper course. Once White gybes, rule 17 no longer applies as the boats are on opposite tacks.

When White returns to starboard tack – rule 17 does not apply because once rule 17 has been switched off it never gets switched back on again during the same overlap. White is entitled to sail above her proper course.

CALL K1

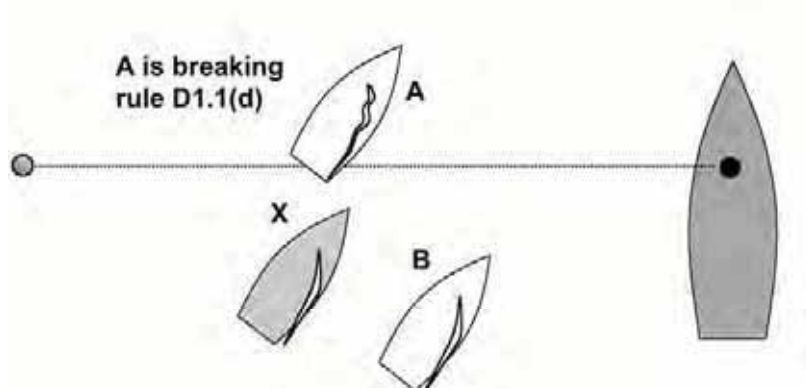
Rule 28.1	Sailing the Course
Rule 44.2	One-Turn and Two-Turns Penalties
Rule A5	Scores Determined by the Race Committee
Rule D1.1(d)	Interfering with Another Boat
Definitions	Finish
Definitions	Racing

Question 1

What are the obligations on a boat that has finished?

Answer 1

A boat that has finished but not cleared the finishing line is still racing. She breaks rule D1.1(d) if she acts to interfere with a boat that has not yet finished.



Question 2

Is there a required side of the finishing line to complete a penalty?

Answer 2

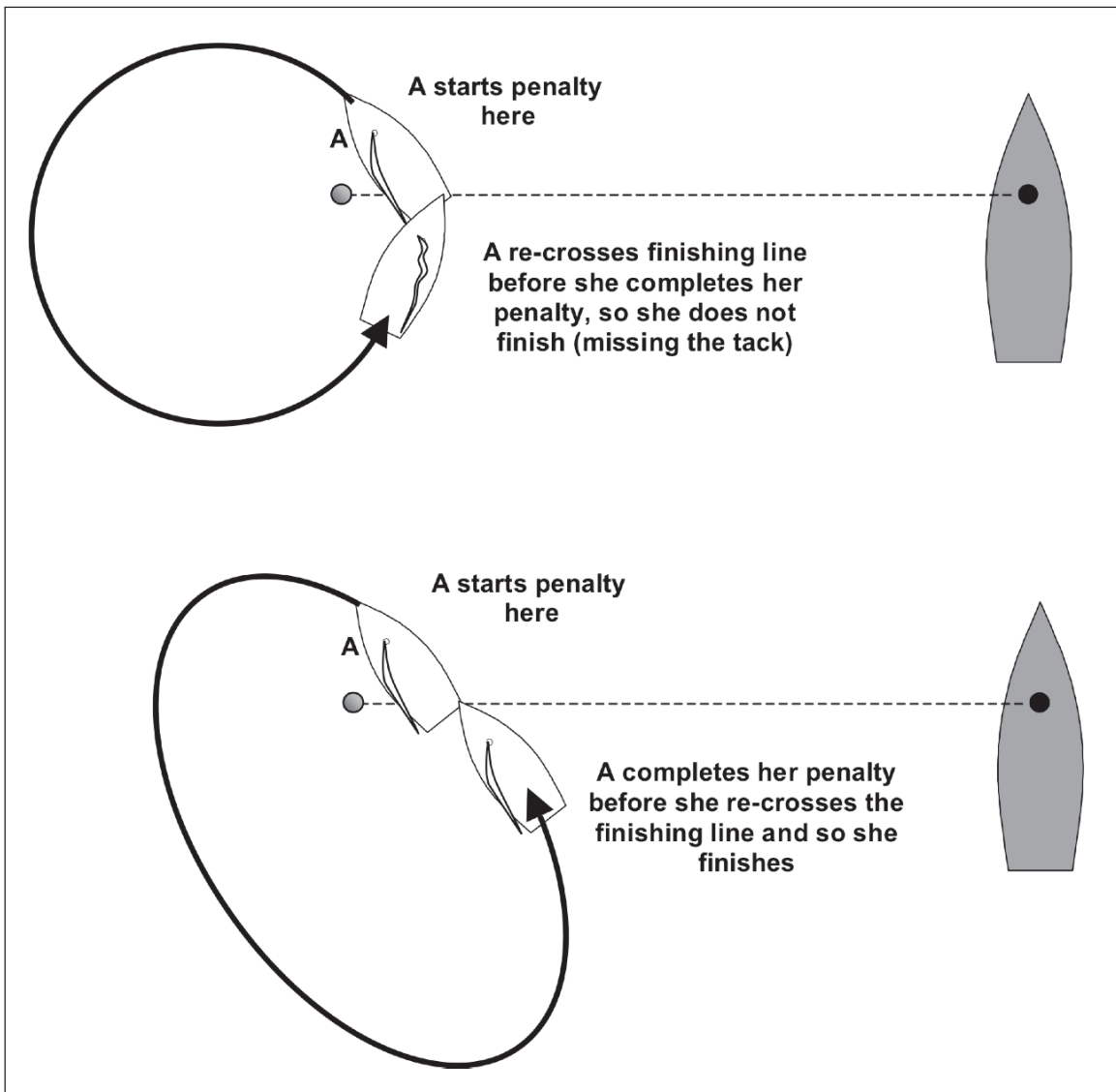
No. The only requirement is that after the penalty is completed, the boat must sail completely on the course side of the finishing line before she crosses the finishing line to finish. See diagram.

Question 3

May a boat that has to take a penalty sail round a finishing mark while executing the penalty?

Answer 3

Yes. No rule prohibits this and her course still complies with rule 28.1. However she must complete the penalty before she re-crosses the finishing line to finish.



Question 4

If a boat re-crosses the finishing line before completing her penalty, what should the Race Committee and the umpires do?

Answer 4

The boat fails to finish in accordance with the definition and should be scored DNF. The Race Committee does not need to protest her (see rule A5).

The committee boat should record each time she crosses the line. The umpires should judge whether the penalty was completed before crossing the finishing line, and report this to the Race Committee.

A boat completes a penalty when, if she gybes first, she reaches a close-hauled course after tacking, or, if she tacks first, her mainsail fills on the new side after gybing.

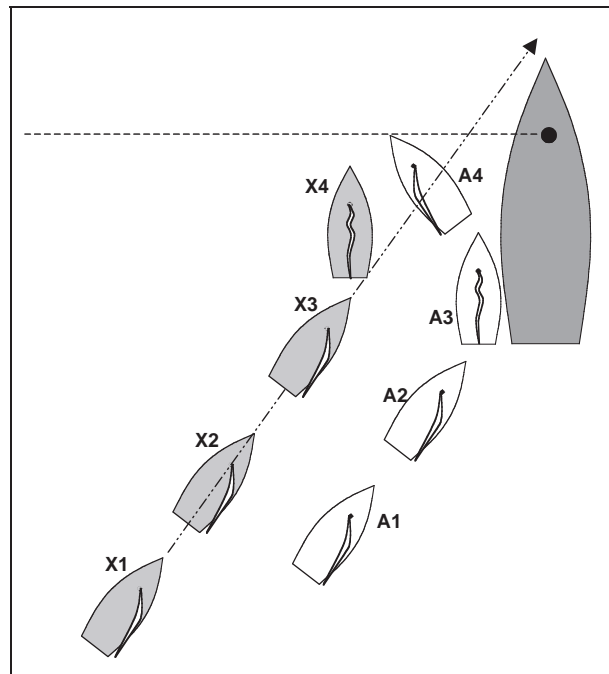
CALL K2

Rule 20 Room to Tack at an Obstruction

Question

A and X are overlapped and beating on port tack towards the committee boat at the starboard end of the finishing line.

X can fetch the committee boat but A, the leeward boat, cannot. A sails up to this boat and hails for room to tack. X does not respond. A hails a second time, luffs and passes head to wind, whereupon X tacks and protests. What should the call be?



Answer

Penalize both.

Because X can fetch the committee boat, which is a mark, A is not entitled to hail for room to tack. A breaks rule 20.3 by hailing, however, when a boat hails for room to tack rule 20.1(b) requires the hailed boat to respond to the hail. X fails to do so and breaks rule 20.1(b).

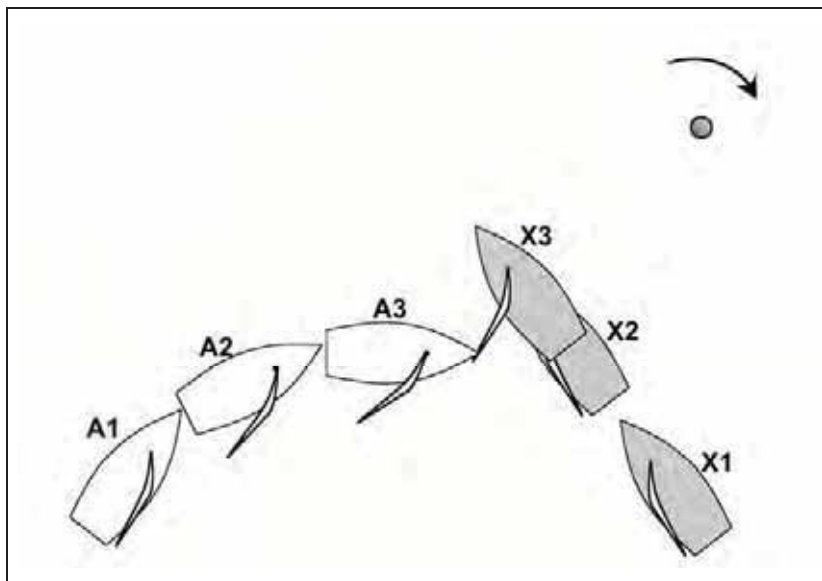
CALL L1

Rule 64.1(c) Decisions, Exoneration

D2.2(d)(3) Penalties Initiated by Umpires, Breach of Sportsmanship

Question

Approaching a windward mark, A, on port tack, bears away to pass astern of X on starboard. A is keeping clear when X's crew suddenly pushes out her boom and backs her mainsail, and her boom hits A's rigging. X protests. What should the call be?



Answer

A breaks rule 10, but is compelled to do so by the action of X that is a breach of sportsmanship. Penalize X under rule D2.2(d)(3), and exonerate A under rule 64.1(c). (See also Case 73.)

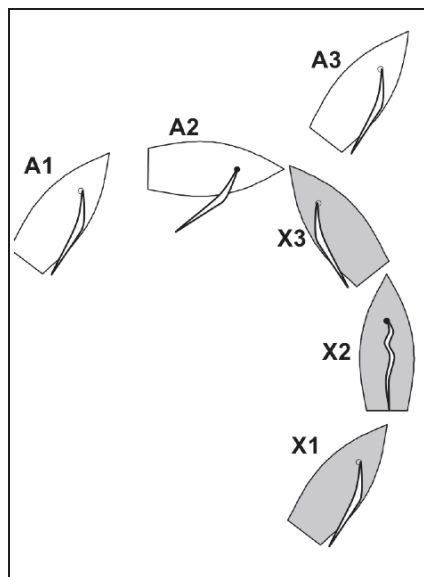
When a right-of-way boat continues to sail her course, but through intentional unseamanlike sailing (e.g. pushing out her boom) causes contact with a keep clear boat that would otherwise have kept clear, then this is a breach of sportsmanship.

CALL L2

Rule 23.2 Interfering with Another Boat

Question

On a windward leg, in steady breeze, in the middle of the course and away from other boats, A on port tack bears away to gybe in order to take a penalty. X, also on port tack but on a track to leeward of A, immediately tacks to starboard, and as a result is on a collision course with A. In order to avoid X, A is forced to interrupt taking her penalty, and protests. What should the call be?



Answer

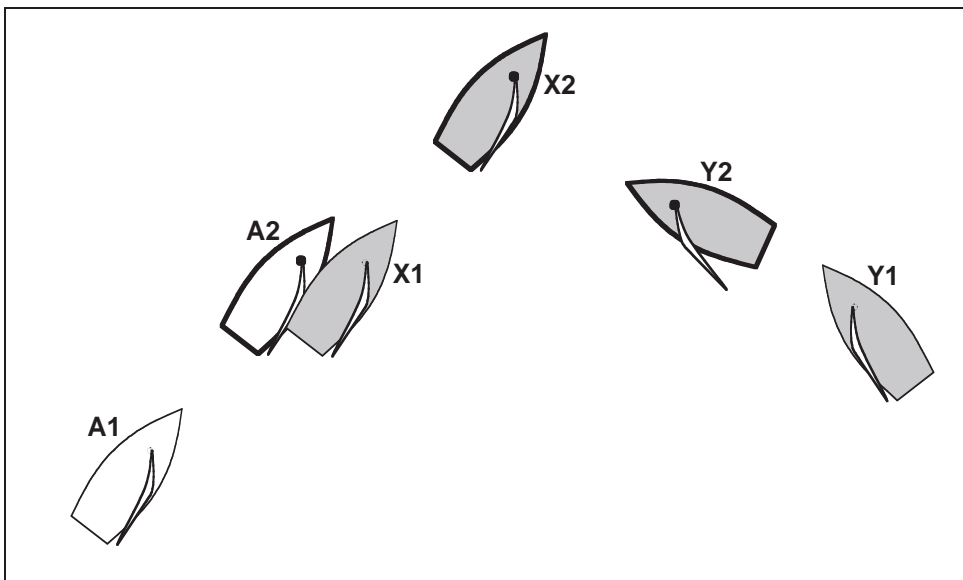
No penalty. The 'except when sailing a proper course' phrase in rule 23.2 permits X to interfere with A, provided X does not break rule 16.1. She has a choice of proper courses and may therefore choose one that will maximise her interference with A. Sailing on either tack can be a proper course.

CALL L3

- Rule 10** **On Opposite Tacks**
- Rule 14** **Avoiding Contact**
- Rule 16.2** **Changing Course**
- Rule D1.2(a)** **Rules Between Team-Mates**

Question 1

On a beat to windward, X is ahead of A on port tack. Y is on starboard tack on a collision course with X. A is keeping clear by sailing to pass astern of Y. When 3 lengths from X, Y bears away to a collision course with A. A tacks and protests. What should the call be?



Answer 1

When Y changes course A does not immediately need to change course, so Y does not break rule 16.2. No penalty.

Question 2

When Y passes astern of X, there is contact. A protests. What should the call be?

Answer 2

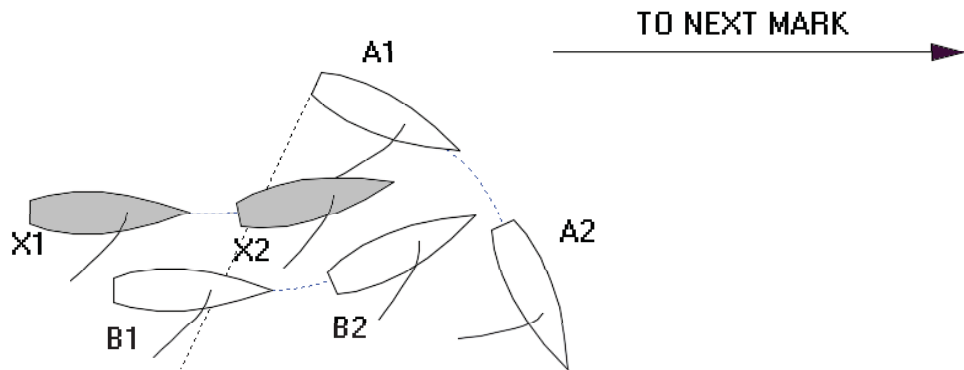
When there is contact between team-mates, the one that has broken a rule is penalized (rule D1.2(a) does not apply because there is contact). In this case X breaks rule 10. Penalize X.

CALL L4

Rule 11 **On the Same Tack; Overlapped**
Rule 17 **On the Same Tack; Proper Course**
Rule D1.2(a) **Rules Between Team Mates**
Definitions **Proper Course**

Question 1

A is sailing to get clear in order to take a penalty. B is overlapped to leeward of both A and X and subject to rule 17 for both overlaps. B and X are both sailing proper courses and B will make contact with A if she maintains her course. B luffs when she is two lengths from A and as a result B and X pass astern of A. X keeps clear of B and protests. What should the call be?



Answer 1

Penalize A. A is overlapped to windward of B and is required to keep clear of her. As B has to luff to avoid A, A fails to keep clear and breaks rule 11. Although the incident is between A and B, which are boats on the same team, it also involves X. It is only because A breaks rule 11 that B's proper course is to luff to avoid her and this luff directly affects X. If A was keeping clear of B, B's luff would break rule 17. Therefore rule D1.2(a) does not apply and A is penalized.

Question 2

The circumstances in question 1 are the same, except that rule 17 does not apply between B and X, and applies only between A and B. What should the call be?

Answer 2

No penalty. With reference to her overlap with X, B has right of way and is not restricted by rule 17; therefore the umpires cannot assume that B's change of course is caused by the proximity of A. Although rule 17 applies between B and A, B complies with the rule as, when she luffs, she promptly sails astern of A.

When a boat changes course to avoid another boat on her team, if she only does so because the other boat is breaking a rule and as a direct result a boat on another team must change course, the incident is not solely between boats on the same team and rule D1.2(a) does not apply.

CALL L5

- Rule 21.2** Taking a Penalty
- Rule 44.2** One-Turn and Two-Turns Penalties
- Rule D2.1(c)** Protests and Exoneration
- Rule D2.2(c)** Umpired Races
- Rule D2.2(d)** Penalties Initiated by Umpires

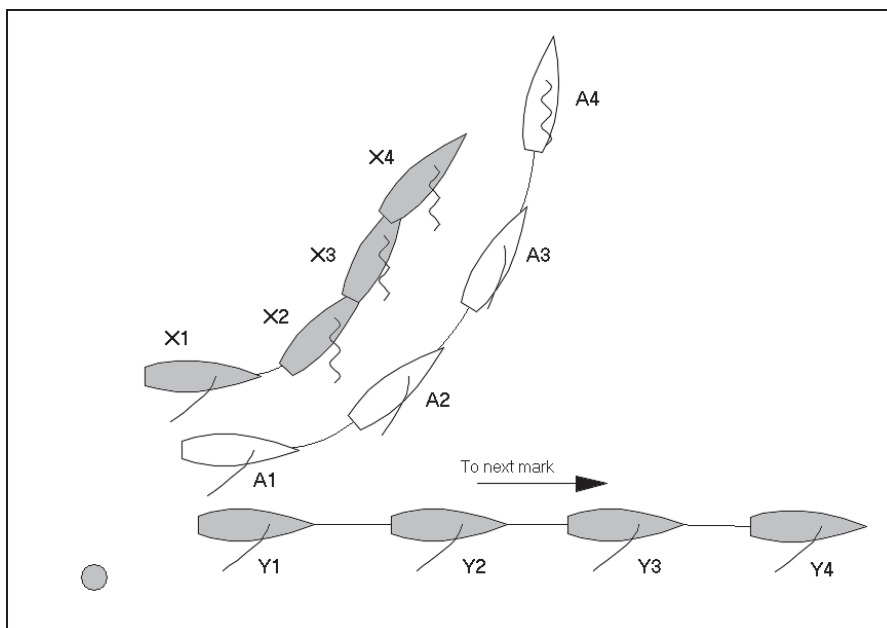
Question 1

How will the umpires decide that a boat has taken a penalty correctly under rule 44.2?

Answer 1

A boat takes a penalty correctly when, as soon as possible after an incident or after being penalized by the umpires, she first sails well clear and then makes the required number of turns. The answers below clarify these requirements.

Question 2



X and Y are opponents of A. A, who is not subject to rule 17, has acknowledged breaking a rule while rounding the mark and is attempting to take a penalty. X has to alter course and slow down to avoid A and protests. What should the call be?

Answer 2

Although A breaks no rule of Part 2, she fails to sail clear as soon as possible. In position 1 she is able to slow down, fall astern of both Y and X and then sail clear.

Penalize A for breaking a rule at the mark as she failed to exonerate herself correctly.

Question 3

When is a boat subject to rule 21.2?

Answer 3

Rule 21.2 begins to apply when a boat is clearly turning in order to take a penalty. It ceases to apply when the boat completes the last required tack or gybe or when she stops taking her penalty before it is complete.

Question 4

When can the umpires take action against a boat that has failed to take a penalty correctly?

Answer 4

The umpires can take action when

- (a) another boat protests and requests an umpire decision,
- (b) the penalty was initiated by the umpires, or
- (c) the umpires decide the failure was a breach of sportsmanship.

A right-of-way boat that is sailing to get clear retains right of way until rule 21.2 starts to apply to her. A boat that interferes with another boat while sailing clear, when she has a clear alternative, does not sail clear as soon as possible.

CALL L6

Rule 23.2 Interfering with another boat

A boat passes a mark, then returns to the previous leg.

Question 1

Does she break a rule in doing this?

Answer 1

No.

Question 2

For the purpose of rule 23.2, which leg is she now on?

Answer 2

She is now on the previous leg.

CALL M1

60.1	Right to Protest and Request Redress
D1.2(a)	Contact Between Boats on the Same Team
D2.1(a)	Right to Protest
D2.2(b)	Unpiored Races: Signalling a Decision

Question 1

A member of one team witnesses contact between two boats on the other team and she protests. What should the call be?

Answer 1

Because there was contact between two boats on the other team, the boat is entitled to protest under rule 60.1 as modified by rule D2.1(a) although she was not involved in the incident. Penalise the boat that broke a rule.

Question 2

Boat A makes contact with boat X and protests her. The umpires judge that a third boat B is at fault and has broken a rule. What should the call be?

Answer 2

Penalize boat B.

There is no requirement on the protesting boat to identify correctly the boat that has broken a rule. Provided the protest is correctly made, the umpires will judge the incident, and penalize any boat(s) that have broken a rule.

CALL M2

Rule D2.1(a) Right to Protest

Question 1

There is a possible incident between boats A and X, neither of which protest at that time. Another boat on A's team shouts 'Protest! Go ahead and protest!' As a result of that advice, A protests. Is this protest valid?

Answer 1

No. Signal 'No penalty'. In order to comply with rule D2.1(a), a boat intending to protest must hail the other boat and conspicuously display a red flag at the first reasonable opportunity for each. If the protest is made in response to the advice from another boat on her team, it is not at the first reasonable opportunity for each.

Question 2

A boat intends to protest, but fails to follow the correct procedure. She then continues to hail 'Umpire', seeking a decision to the invalid protest. What will the umpires do?

Answer 2

Signal 'No penalty'. Even though no valid protest has been submitted, it is appropriate to signal clearly to the competitor that no penalty will be given.

CALL M3

Rule 44.1(b) Taking a Penalty: Gaining a significant Advantage
Rule D2.2(d) Penalties Initiated by Umpires

Question

Team A, B and C is approaching a port-hand windward mark on starboard tack in a group. X has already rounded the mark, Y is on starboard tack just behind the group, and Z is approaching the mark on port tack level with the group.

Z attempts to tack inside the group at the mark, and forces A, B and C to sail above close-hauled and outside her at the mark.

As a result of the incident Y overtakes A, B, C and Z. Z completes a One-Turn Penalty. X and Y, now clear in first and second, maintain these places to the finish.

What options are open to the other team, and to the umpires, to influence the result of this race?

Answer

When a boat has gained a significant advantage by breaking a rule, she cannot exonerate herself under rule 44. Clearly in this case Z's team gained a significant advantage through breaking rule 18.3(a), so the exoneration under rule 44 is invalid, and the other team can protest.

When no amount of extra turns can change the result of the race, the umpires should act under rule D2.2(d) and report the incident to the protest committee. The protest committee may then increase Z's points to reverse the on-the-water result.

Signal this intention with a black flag. The action of Z does not need to be deliberate.

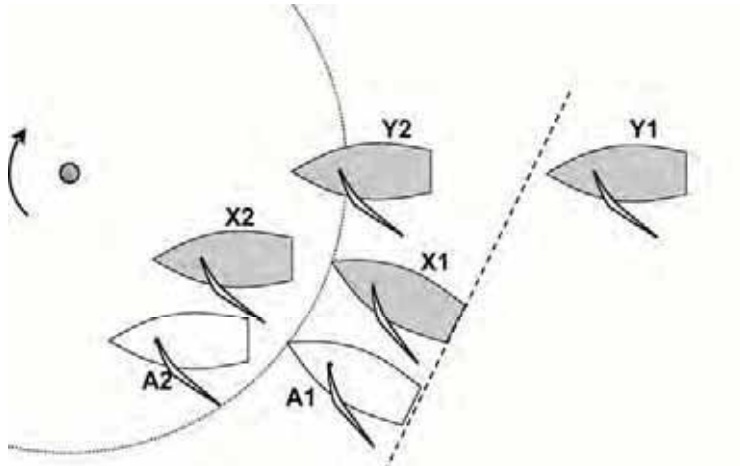
CALL M4

Rule 11 **On the Same Tack, Overlapped**
Rule 18.2 **Giving Mark-Room**
Rule D2.2(d) **Penalties Initiated by Umpires**

Question

At a starboard-hand leeward mark, A and X are sailing on a close reach, overlapped on starboard tack, when they reach the zone. Y is approaching the mark on a beam reach, sailing faster but just clear astern of A and X when they reach the zone.

X bears away which gives Y room to round the mark inside her. A protests. What should the call be?



Answer

X is keep-clear boat with respect to A, but A must give her mark-room. Because Y is clear astern when X and A reach the zone, she must give mark-room to both A and X.

In causing A to give extra room for Y to round inside her, X breaks rule 11. Penalize X.

If as a result of the incident Y overtakes A, then the umpires will consider whether X's team has gained an advantage despite X being penalized (or taking a voluntary turn). If X's team has gained an advantage, penalize X further (if this removes the advantage) or report the incident to the protest committee ashore which may penalize X's team further.

CALL M5

Rule 44.1 Taking a Penalty

Rule D2.2(d) Penalties Initiated by Umpires

Question

While racing there is contact between A and X, and X receives a small hole in a sail. A is at fault and is penalized. On a later leg the hole in the sail develops into a major tear and X is forced to retire. What action is available?

Answer

Because A gains an advantage when X is forced to retire, the umpires may initiate action under D2.2(d), and report the incident to the protest committee ashore which may further penalize A in order to achieve the fairest result.

X may also claim redress under rule 62.1(b).

CALL M6

Rule 64.1(c) Penalties and Exoneration

Rule D2.1(c) Acknowledgement of Breaches of Rules

Rule D2.2(a) Umpired Races: Requesting a Decision

Rule D2.2(b) Umpired Races: Signalling a Decision

Rule D2.3(a) Single-Flag Protest Procedures

Question 1

There is a Part 2 incident between A and X. A protests X by immediately hailing 'Protest X' and displaying a red flag. A then takes a One-Turn penalty. After finishing her penalty, A displays a yellow flag and hails 'Umpire'. What should the call be?

Answer 1

When A requests an umpire decision in accordance with rule D2.2(a) the umpires shall signal a decision in accordance with rule D2.2(b).

Case 1: The umpires decide that A broke a rule. A has already taken a penalty as described by rule D2.1(c). Therefore, she shall not be further penalized. Signal 'No penalty'.

Case 2: The umpires decide that X broke a rule. The penalty taken by A does not exonerate X. Penalize X.

Case 3: The umpires decide that both A and X broke a rule and that rules 18.5 and 64.1(c) do not apply. A has already taken a penalty as described by rule D2.1(c). Therefore, she shall not be further penalized. Penalize X only.

Case 4: The umpires decide that no boat broke a rule. Signal 'No penalty'.

Question 2

The situation is as in question 1, except that both boats protest each other, and both boats display a yellow flag and hail 'Umpire' after A has taken a penalty. Does that change the call?

Answer 2

No. Provided the umpires decide that the two protests are for the same incident, they only make one decision and signal in accordance with the procedure described in answer 1.

Question 3

The situation is as in question 2, except that there are clearly two incidents between A and X, one immediately after the other. Immediately after the second incident, both boats hail each other and promptly display a red flag. A then takes a One-Turn penalty. When A has finished her penalty, both boats display a yellow flag and hail 'Umpire'. Does that change the call?

Answer 3

Yes. The umpires will decide each incident separately. Depending on what the umpires decide on each of the two incidents, and on which boat, if any, broke a rule, they will decide whether to penalize any boat, taking into consideration that A has taken a single penalty.

Question 4

If the single-flag protest procedure in rule D2.3(a) is in use, what should the call be?

Answer 4

Rule D2.3(a) allows the umpires to penalize a boat only if no boat takes a penalty. As A has taken a penalty, the incident is closed and the umpires should make no signal.

CALL M7

- Rule 44.2** **One-Turn and Two-Turns Penalties**
- Rule D2.1(c)** **Protests and Exoneration**
- Rule D2.2(c)** **Umpired Races: Penalty Description**
- Rule D2.2(d)(2)** **Penalties Initiated by Umpires**

At the start of a race, boat A is OCS and has just been given a Two-Turns Penalty. A immediately bears away, gybes and tacks, but then sails towards the pin end of the starting line before she again bears away, gybes around the mark and then tacks.

Question 1

Has A complied with the requirements of rule D2.2(c)?

Answer 1

No. Rule 44.2 requires A to make two turns promptly and in the same direction. By breaking off after the first turn and sailing to a different area, A has not exonerated herself promptly as required by rule 44.2.

Question 2

What action should the umpire take?

Answer 2

Boat A failed to take the penalty in accordance with rule 44.2. Therefore, she has not complied with rule D2.2(c). Under rule D2.2(d)(2), an umpire may now initiate a penalty without a protest from another boat. In this case it is correct to do so, and to penalize A with either one or two turns (as appropriate to the circumstances) by displaying a red flag, identifying her and hailing “one (or two) turn penalty”.

Question 3

Would the procedures be the same if A had not been given a penalty by the umpire, but rather attempted to take a voluntary penalty, except that the penalty did not comply with rule D2.1(c)?

Answer 3

No. Rule D2.2(d) does not apply when a boat takes a voluntary penalty (i.e. a single turn, no umpire signal) which does not comply with rule D2.1(c). In such a case, the umpire may not take action unless the other boat requests a decision. If the other boat does request a decision, the umpire should act in accordance with rule D2.2(b) and penalize whichever boat(s) if any he believes has broken a rule in the original incident. As no boat has exonerated herself in accordance with rule D2.1(c), the penalty will be a Two-Turns Penalty.

CALL M8

Rule D2.2(d)(3) Penalties Initiated by Umpires, Breach of Sportsmanship

Question 1

After the umpires signal their decision in response to a boat's protest, a competitor on one of the boats makes it clear that he is unhappy with the decision. Should the umpires impose a penalty under rule D2.2(d)(3) for a 'breach of sportsmanship'?

Answer 1

This depends on the words, the manner in which they are spoken, and any other related actions of the crew of the boat. If they merely express unhappiness or disappointment, or that in the competitor's opinion the decision was wrong, then a penalty is not appropriate. However, if the total effect is to convey that the umpires or other race officials are incompetent, or are prejudiced against the penalized boat, a penalty may be justified, whether the meaning is directed only at the umpires or also to others nearby. If the meaning is clearly insulting to the umpires, race officials or other competitors, a penalty should be imposed. The penalty imposed by the umpires may be one or more turns. The umpires may also report the incident to the protest committee, signalled by displaying a black flag.

Question 2

An incident occurs between team A and X, immediately after which a competitor in team A starts to shout loudly and forcibly that the boat from team X should take a penalty. The shouting continues for a time, after which the boat from team X sails clear and completes a penalty. The umpires have observed the incident and are in no doubt that the boat from team A had broken a rule and that the boat from team X had taken a penalty only as a result of the intimidating actions from the boat of team A. Should the umpires impose a penalty under rule D2.2(d)(3) for a 'breach of sportsmanship'?

Answer 2

If the effect is one of intimidation and bullying by team A, a penalty should be imposed under rule D2.2(d)(3). The penalty imposed by the umpires may be of one or more turns. The umpires may also report the incident to the protest committee, signalled by displaying a black flag.

INDEX OF RULES (in Call Titles)

<u>Rule</u>	<u>Calls</u>
2	A4
10	B6, D1, 2, 3, 6, E12, G2, 5, 7, J4, 5, L3
11	A2, 3, 4, 5, 6, B1, 2, 3, C1, 2, 4, D1, 5, 7, 10, E4, 5, 12, 13, F2, 4, G2, 6, J2, 3, 5, 7, L4, M4
12	B3, E6, H1
13	A1, B2, 4, D3, 4, 5, 8, 9, E1, 2, 3, 13
14	L3
15	B1, 3, B6, D1, 3,, 6, G5, 7, H2
16	D5, E3
16.1	A3, 4, 5, B2, 3, 4, 6, C1, 2, 4, D1, 4, 7, E12, H2, J7
16.2	D2, G7, L3
17	A1, C1, 4, D5, 7, F1, 3, 4, G3, 4, 6, H3, J5, 6, 8, L4
Section C, Preamble	C1, 2
18.1	A6, D9, E3, 10, 11, H4, J1, 4, 6
18.2	A6, D9, E1, 2, 4, 5, 6, 9, 10, 11, 12, H1, 2, 4, J1, 2, 3, 4, 5, 7, M4
18.3	E6, 7, 8
18.5	D9, E2, 5, 8, H2, J3, 7
19	G6
19.1	D10, F2
19.2	B8, D6, 10, E4, F2, H1
20	B7, D6, E4, K2
21.1	C3
21.2	H4, L4, L5
21.3	B9
23.2	C3, E13, L2, 6
28.1	K1
31	H2
42.3(d)	C5
44.1	M3, 5
44.2	L5, M7
44.3	K1
60.1	M1
64.1(c)	D6, 10, E5, J7, L1, M6

Rule**Calls**

A5	K1
D1.1(b)	E10, 11
D1.1(c)	H3, J5
D1.1(d)	K1
D1.2(a)	L3, 4, M1
D2.1(a)	M1, 2
D2.1(c)	L5, M6, 7
D2.2(a)	M6
D2.2(b)	M1, 6
D2.2(c)	L5, M7
D2.2(d)	L1, 5, M3, 4, 5, 7, 8
D2.3(a)	M6

Definition**Calls**

<i>Clear Astern and Clear Ahead;</i>	
<i>Overlap</i>	G3, J5, 6
<i>Finish</i>	K1
<i>Keep Clear</i>	A2, 3, 4, 5, B2, D1
<i>Leeward and Windward</i>	G1, 3
<i>Mark-Room</i>	D9, E2, 9, 12, J2
<i>Obstruction</i>	D10, F2, L4
<i>Proper Course</i>	G4, L4
<i>Racing</i>	K1
<i>Tack, Starboard or Port</i>	G1, 3
<i>Zone</i>	A6

2010 supplements to

The

CALL BOOK

for TEAM RACING

for 2009 – 2012

International Sailing Federation

Summary of changes:

Call E9	New Call.
Call E10	New Call.
Call E11	New Call.
Call E12	New Call.
Call E13	New Call.
Call J8	New Call.
Call L4	Revised Call. Situation is similar but different decision.

CALL E9

Rule 18.2 **Giving Mark-Room**
Definitions **Mark-Room**

Question

Boats A, X and B are approaching a mark overlapped, with A required to give mark-room to X and X required to give mark-room to B. Does rule 18.2 require A to give enough room to X to enable her to give mark-room to B before B is at the mark?

Answer

Yes.

Mark-room includes room to sail to the mark and, for X, sailing to the mark includes giving B mark-room. Therefore, rule 18.2 requires A to give X room to give B mark-room.

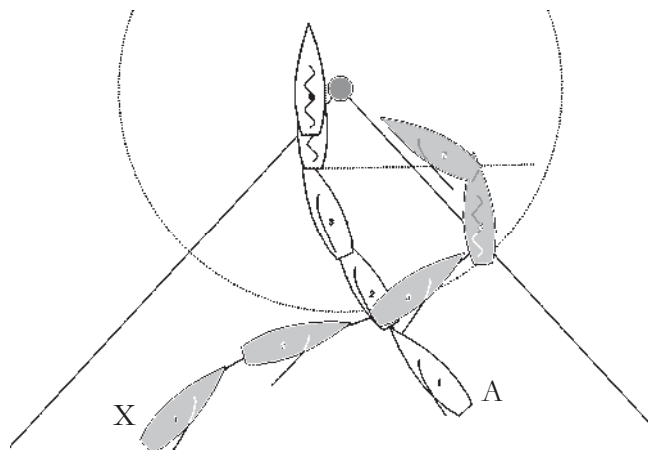
Room to sail to a mark includes room to give room to or keep clear of other boats if required by the rules to do so

CALL E10

Rule 18.1 Mark-room; When Rule 18 applies

Rule 18.2 Giving mark-room

Rule D1.1(b) Changes to rule 18.2(b)



Question 1

A on starboard tack and X on port tack, both close-hauled, are approaching a windward mark. X bears away and passes astern of A. A luffs slowly and nearly stops head to wind with the mark abeam. While A is luffing, X tacks to starboard and bears away towards the mark. A does not give X room at the mark, and X luffs to avoid a collision. There is a valid protest from X. What should the call be?

Answer 1

When A enters the zone, the boats are on opposite tacks on a beat to windward. Therefore, rule 18 does not apply. When X has passed head-to-wind, the boats are overlapped on the same tack and are both in the zone. Therefore, rule 18 applies. There was neither an overlap nor were they clear ahead/clear astern when the first of the two boats entered the zone. Rule 18.2(a) applies and this requires A to give X as an inside boat mark-room. 18.2(e) does not apply because the overlap was created during the tack and not from clear astern. Although X is keep-clear boat, she is entitled to room to sail to the mark and then room to sail her proper course while at the mark. A fails to give this room. Penalize A.

Question 2

Would the answer be different if X completes her tack outside the zone?

Answer 2

No. However, if A is clear ahead when X passes head to wind, rule D1.1(b) applies and X is not entitled to mark-room. By luffing, X keeps clear. No penalty.

CALL E11

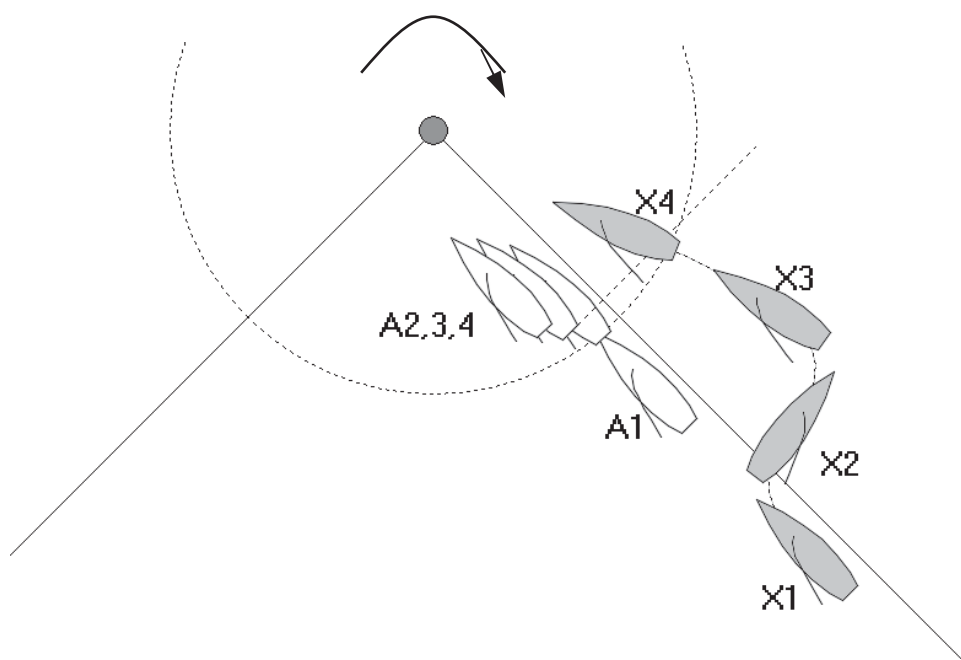
Rule 18.1(a) When Rule 18 Applies

Rule 18.2(b) Giving Mark Room

Rule D1.1(b) Changes to Rule 18.1(b)

Question 1

A on starboard enters the zone of a windward mark clear ahead of X. X tacks onto port and then tacks back onto starboard. She then establishes an inside overlap with A from clear astern. Does A have to give X mark-room?



Answer 1

No. X is required to give A mark-room. At position 1, rule 18.2(b) applies and X must give A mark-room. At position 2, the boats are on opposite tacks on a beat to windward and rule 18 ceases to apply (rule 18.1(a)).

When X tacks back to starboard after position 2, the boats are on the same tack and rule 18 begins to apply again. In particular, rule D1.1(b) applies which changes rule 18.2(b). A becomes clear ahead when X passes head to wind, so X must thereafter give A mark-room.

Question 2

Would the call be different if X's tacks are in the zone?

Answer 2

No. Providing that at the moment X passes head to wind between positions 2 and 3, she is clear astern of A, she must give A mark-room.

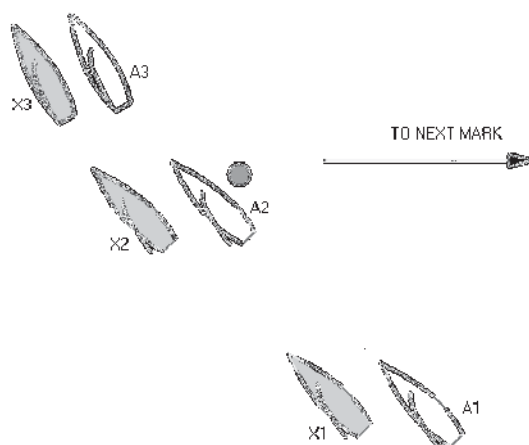
See also Call E 10

CALL E12

Rule 11	On the Same Tack, Overlapped
Rule 16.1	Changing Course
Rule 18.2	Giving Mark-Room
Definitions	Mark-Room

Question

A and X are approaching a windward mark to be left to starboard. X is overlapped outside A at the zone and must give A mark-room. She does so, including giving room for A to tack at the mark. At position 3 X has luffed slightly while giving A room to keep clear. A responds just enough to keep clear, but there is no longer enough room for her to tack. A protests. What should the call be?



Answer

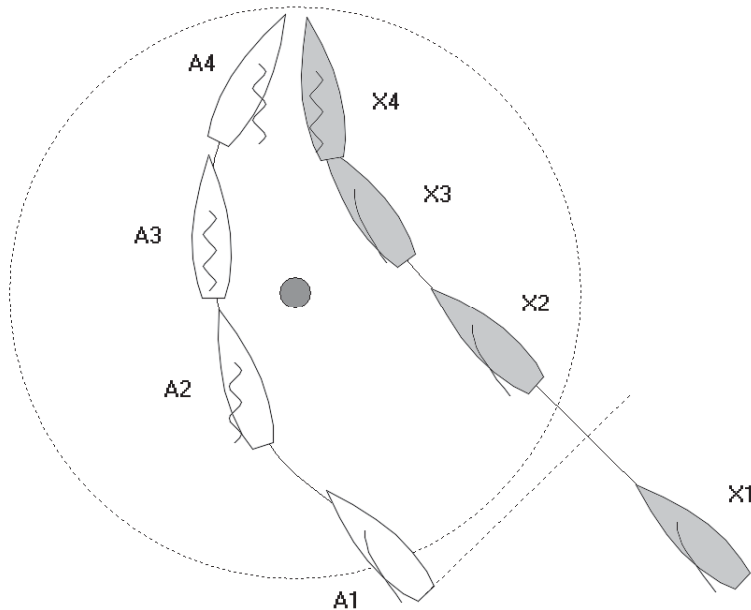
No penalty.

Mark-room includes room to tack for A because she is overlapped to windward and on the inside of X. The proper course for A at the mark was to tack and X gave her room to do so. The requirement for X to give mark-room ceases when she has given A 'room to sail her proper course while at the mark' (see Definition Mark-Room). At position 3, the boats are no longer at the mark and, as a result, X no longer has an obligation under rule 18.2(b) to give mark-room. A has kept clear as required by rule 11.

When mark-room for a boat includes room to tack and she does not tack, but instead sails clearly beyond where she needed to tack in order to sail her proper course, she ceases to be at the mark.

CALL E13

Rule 10	On Opposite Tacks
Rule 11	On the Same Tack, Overlapped
Rule 13	While Tacking
Rule 23.2	Interfering with Another Boat



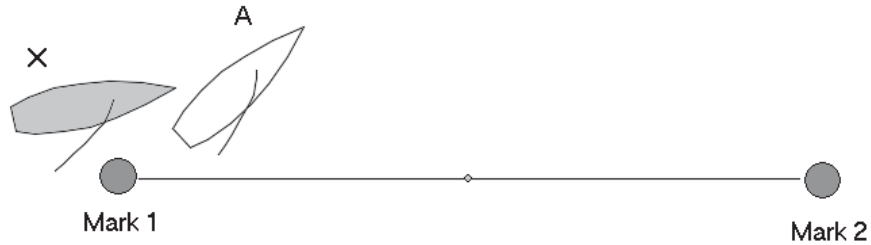
Question 1

X and A are approaching a windward mark to be left to starboard. A is clear ahead when she enters the zone. X leaves the mark to port. A passes head to wind, but cannot bear away to a close-hauled course because of the presence of X. A protests. What should the call be?

Answer 1

Penalize both, X for breaking rule 23.2 and A for breaking rule 13. When rule 23 applies, the rules of Section A continue to apply.

A has already sailed to the mark and must now sail to the next mark to continue sailing the course. X still needs to sail to the required side of this mark, to continue to sail the course. Therefore, they are on different legs of the course.



Question 2

A has rounded the mark and is on the next leg. X is rounding the mark. Rule 17 does not apply to A. A luffs above her proper course to slow X. X protests. What should the call be?

Answer 2

No penalty.

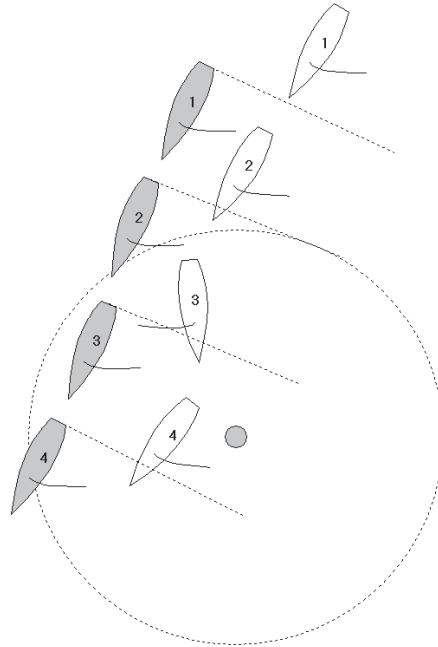
As both boats are sailing toward the next mark, they are on the same leg. Therefore, A does not break rule 23.2.

When boats are rounding a mark on the same required side, even when one or both of them may be making a very wide rounding, they are sailing on the same leg.

After the starting signal, a boat that passes the wrong side of a mark is not on the same leg of the course as a boat that is passing the mark on the required side.

CALL J8

Rule 17 Proper course



Question

Approaching a leeward mark to be left to port, White establishes a leeward overlap on Grey from clear astern before Grey enters the zone. White then gybes onto port and, while still overlapped, gybes back onto starboard.

White does not round the mark but continues on starboard, thereby sailing above a proper course.

Grey makes a valid protest. What should the call be?

Answer

No penalty.

When White first establishes the overlap, she is subject to rule 17 and may not sail above a proper course. Once White gybes, rule 17 no longer applies as the boats are on opposite tacks.

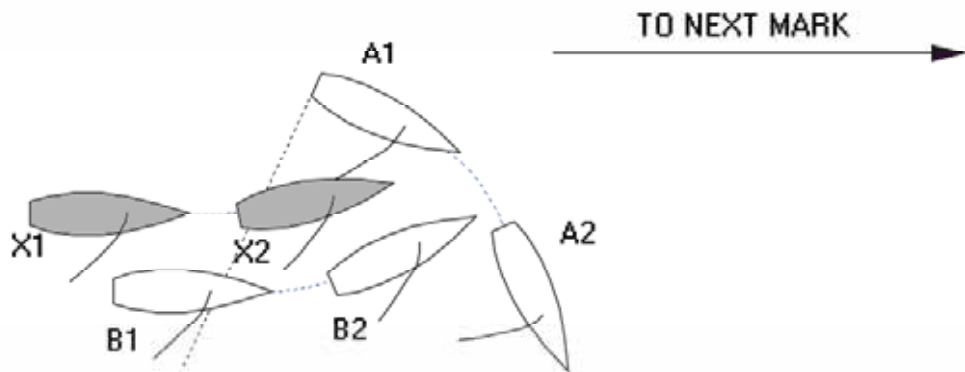
When White returns to starboard tack – rule 17 does not apply because once rule 17 has been switched off it never gets switched back on again during the same overlap. White is entitled to sail above her proper course.

CALL L4

Rule 11 **On the Same Tack; Overlapped**
Rule 17 **On the Same Tack; Proper Course**
Rule D1.2(a) **Rules Between Team Mates**
Definitions **Proper Course**

Question 1

A is sailing to get clear in order to take a penalty. B is overlapped to leeward of both A and X and subject to rule 17 for both overlaps. B and X are both sailing proper courses and B will make contact with A if she maintains her course. B luffs when she is two lengths from A and as a result B and X pass astern of A. X keeps clear of B and protests. What should the call be?



Answer 1

Penalize A. A is overlapped to windward of B and is required to keep clear of her. As B has to luff to avoid A, A fails to keep clear and breaks rule 11.

Although the incident is between A and B, which are boats on the same team, it also involves X. It is only because A breaks rule 11 that B's proper course is to luff to avoid her and this luff directly affects X. If A was keeping clear of B, B's luff would break rule 17. Therefore rule D1.2(a) does not apply and A is penalized.

Question 2

The circumstances in question 1 are the same, except that rule 17 does not apply between B and X, and applies only between A and B. What should the call be?

Answer 2

No penalty. With reference to her overlap with X, B has right of way and is not restricted by rule 17; therefore the umpires cannot assume that B's change of course is caused by the proximity of A. Although rule 17 applies between B and A, B complies with the rule as, when she luffs, she promptly sails astern of A.

When a boat changes course to avoid another boat on her team, if she only does so because the other boat is breaking a rule and as a direct result a boat on another team must change course, the incident is not solely between boats on the same team and rule D1.2(a) does not apply.



International Sailing Federation

Umpires and Team Racing Manual

Edition 2/09

Published by ISAF (UK) Ltd., Southampton, UK
© International Sailing Federation (IOM) Ltd

Ariadne House, Town Quay, Southampton, Hampshire SO14 2AQ, UK
Tel +44 (0)23 80 635111
Email secretariat@isaf.co.uk
www.sailing.org

PREFACE

Team racing has been practiced as a sailing discipline for more than 80 years. Over the years, there have been many developments. First came special rules for team racing, and in the 1980s the idea of on-the-water umpiring was implemented.

The first time ISAF, or IYRU as it was named then, was directly involved in team racing was with the first World Team Racing Championship in 1995, organized by West Kirby Sailing Club in Great Britain. Since then, the World Championship has been a biannual event that has been held in several countries around the World. All races in these events have always been fully umpired. The first ISAF team racing international umpire seminar was held in West Kirby in May 2001, and the first international umpires with a team racing background were appointed in November the same year. Since then, several have followed.

The purpose of this manual is to present state-of-the art techniques in umpired team racing and to support team racing umpires in developing their skills. We hope that the manual is useful for new umpires who are working to qualify as international umpires as well as for existing international umpires who want to maintain and update their skills.

A willingness to learn and the relentless pursuit of consistent performance have proven to be the two key characteristics of today's successful umpire at any level. It is in the spirit of these two attributes that this manual has been written.

A couple of persons have put a considerable effort into the production of this manual. We owe special thanks to Bruce Hebbert who wrote the first version of the manual. We are also very grateful to Marianne O. Middelthon who transformed the first version into the same form as our manual for match racing and revised the contents, and updated this second version. Finally, we want to thank Chris Atkins and Bryan McDonald who contributed with ideas and comments for the first version.

This manual cannot be perfect. Team racing, and with it umpiring, is a developing sport, which introduces new concepts, better techniques, etc. all the time. That is why this manual needs to be a living document that is upgraded regularly. Of course, this can only be done if umpires around the world write in with their comments and suggestions. Please contact the ISAF Office if you would like to contribute to the continuous improvement of this manual and the development of the umpires' role in the sport.

Jan Stage
International Umpires Sub-Committee Chairman

Contents

Part A	Introduction
Part B	The Fundamentals of Umpiring
Part C	Requirements for an International Umpire
Part D	Appendix D
Part E	Mechanics of Umpiring
Part F	Umpiring Scenarios
Part G	Umpire Positioning
Part H	Umpiring in an Imperfect World
Part J	Who can Protest whom for what

PART A
INTRODUCTION

A	INTRODUCTION	2
A 1	The development of Team Racing Umpiring.....	2
A 2	The purpose of this Manual.....	2
A 3	Contents of this Manual.....	3

A INTRODUCTION

A1 The development of Team Racing Umpiring

A call book for team racing was produced for the British Schools Team Racing Association in 1990. The purpose of that document, called a "Guide for Umpires" was to standardise calls, and it could also be used by coaches and competitors to improve their understanding of how rules would be applied in different situations. Starting in the late 80's, schools experimented with various systems for on-the-water judging, where the competitors, while racing, were followed by a referee who imposed penalties as and when breaches were seen. This system, although effective, was against to the self-policing philosophy key to sailing, and received less than wholehearted support. In 1991 Sevenoaks School developed umpiring for team racing as we know it today, with the two-tier penalty system, 360° (today a One-Turn) for a self acknowledged breach and 720° (today a Two-Turn) for an umpire imposed penalty. The first system used a single "Y" flag to request an umpire decision, and a competitor displayed green flag to indicate that the competitor acknowledged a breach and would be making a 360° penalty turn. Umpires had red, green and black flags, as today. By 1995, the two-tier penalty system was widely accepted and the procedures modified to remove the competitor's green flag, introduce a two-part protest procedure, and to introduce "Observing". The BUSA Championships in 1995 used the system for the first time, since then it has been the only form of umpiring at National and Internationals level, except that "Observing" has now been replaced by "Limited Umpiring".

Umpiring has many advantages for team racing. The obvious ones are:

- Knowing the winner with certainty at the finishing line.
- No long, contentious evenings spent in the protest room.
- Allowing for redress on the water for certain breaches.
- General reduction in incidents as well as boat damage resulting from the "policeman" effect.
- Improvement in the quality and enjoyment of events.

A2 The purpose of this Manual

The goal of this manual is threefold: The development and training of umpires, to bring consistency to the conduct of team racing, and to promote team racing world-wide.

The target audience for this manual is umpires, but others too might benefit from being familiar with the principles and procedures contained in this manual, such as team racers, race committee members, coaches and journalists.

This manual strives to provide the ideal. However, it is recognized that for many team races, especially informal races at club level, not all of the procedures, equipment and personnel are necessary. The principles, however, should never be compromised.

In developing this manual, we have also strived to 'Keep it Simple'; sometimes compromising for simplicity's sake where a more complicated solution would obviously be better but too difficult to effect.

The game of Team Racing is constantly developing, with the sailors continually finding new ways of exploiting the rules.

This Manual is updated to reflect current practice and the Racing Rules of Sailing 2009-2012. However, it is inevitable that experience with new rules and calls will result in further ideas and improvement. Some items may become redundant. Please send your ideas for improvement together with your comments and suggestions to the ISAF as soon as possible.

This is a 'living document', to be revised regularly as experience dictates better ways of conducting and umpiring team races. Revisions will be announced by the ISAF by notice to national authorities and International Umpires, and will be available from the ISAF office. They will also be published on the ISAF Website.

A3 Contents of this Manual

The Manual is divided into several Parts. Each Part starts on page 1, so that it can be substituted separately. The intent is that Parts in this manual may correspond to Parts in other manuals, such as the Umpires and Match Racing Manual, the Race Management Manual and the Judges Manual.

Included are some details of the ISAF certification programme for International Umpires. With the rapid development of team racing umpiring, a pool of highly qualified umpires is essential. It is the goal of this programme to provide such a pool and to encourage MNA's to develop and train umpires on a national basis, providing a source from which the ISAF can certify IU's.

PART B

THE FUNDAMENTALS OF UMPIRING

B	THE FUNDAMENTALS OF UMPIRING	2
B1	Objective	2
B2	Initiation of "Protest"	2
B3	Decisions	3
B4	On the Water Penalties.....	4
B5	Team Racing Formats	4
B6	Techniques	5
(a)	A team effort:.....	5
(b)	Positioning and Proximity	6
(c)	Following and Deciding	6
(d)	Concentration and Anticipation.....	7
(e)	Developing an "Automatic Pilot"	7
(f)	Breaches not involving your own boat	7
B 7	Umpire skills and qualifications	8
B 8	Discussion.....	8
B 9	The Call Book for Team Racing.....	8

B THE FUNDAMENTALS OF UMPIRING

B1 Objective

The main objective of team race umpiring is to allow the racing to be self policing, yet to provide an "on the water protest committee" in the eventuality that an incident is not resolved by the parties involved in it. With rare exceptions, team race umpires are not proactive. As the role of the umpire is to decide protests while the racing continues, they must be aware of likely moves and position themselves to see those moves. They must also have a very good knowledge about and understanding of rules that will apply, and be able to make prompt decisions regarding their application to any incident.

B2 Initiation of "Protest"

In team racing the two-part protest procedure is designed to replicate what normally takes place in fleet racing when there is an alleged breach of a rule. Initially the boat "infringed against" will hail "protest" at the "infringing" boat, and if the boat does not exonerate herself, the protesting boat will normally fly a protest flag and take the incident to a protest committee ashore. Team racing Appendix D defines a similar process, but with the "protest committee's" decisions being given on the water, and the penalty being a Two-Turns Penalty - with the added incentive that if the boat that broke a rule decides to exonerate herself, the penalty is only one turn.

To allow this process to be replicated Team Racing Appendix D requires that:

- (a) A boat intending to protest shall hail the other boat immediately and promptly display a red flag. (D2.1 (a))
- (b) When the protested boat fails either to acknowledge breaking a rule or to take a penalty, the protesting boat may display a yellow flag and request a decision by hailing "Umpire". (D2.2 (a))
- (c) The Umpiring process only applies to rules of Part 2 except rules 14, 31 (Touching a Mark), 42 (Propulsion) and 44 (Penalties).

Umpires may not generally give a ruling unless a boat has correctly displayed first a red and then a yellow flag. There are several exceptions in rule D2.2(d):

- (a) When a boat breaks rule 31, rule 42 or a rule of Part 2 through contact with another boat on her team, and does not take a penalty.
- (b) When a boat fails to comply with an umpire's decision.
- (c) When a boat commits a breach of sportsmanship.
- (d) When a boat breaks rule 14 when damage may have been caused.

- (e) When a boat has gained an advantage by breaking a rule.

In all these cases the umpires may impose an additional penalty of one or more turns on the water, or take the incident ashore by showing the "Black Flag" – or do both.

B3 Decisions

Decisions can and should be given promptly, normally within a period of 10-20 seconds after the yellow flag. If the decision takes longer than this, it is probably due to the umpires being in doubt as to whether a boat broke a rule, in which case the following principles must be applied:

1. If the umpires are in doubt, they should first go back to the last point of certainty. This is a principle used by umpires to ensure that when they are uncertain whether a situation has changed or not, they will assume that it has not. For example, if umpires are not sure whether a boat has passed head to wind, they will assume she has not passed head to wind.
2. If they had been certain that a boat was sailing her proper course, but were now not sure if she was still doing so, then they would assume that she still was.
3. If doubt still remains, the view of the umpire whose boat they are discussing might be given additional weight.
4. There are, however, guidelines in the rules for deciding some scenarios. For instance rule 18.2(d) (Overlap rights) specifically states what to do when in doubt.
5. It is a principle of team racing umpiring that when a doubt cannot be resolved by applying the above principles, a green flag is appropriate, even if a collision is observed. One of the main reasons for green-flagging when doubt cannot be resolved is to achieve consistency. Consistency in decision making, not only between incidents, but also between races and events, is essential.
6. It is better to dismiss a protest against a boat that has broken a rule, than to give an incorrect penalty to a boat that has not broken a rule.
7. The only time when it may be wise to delay a decision, is when the umpires expect the incident to be immediately followed by another. The time and energy required to decide the protest, and to make the appropriate signals, may be better spent watching the development of the next incident.
8. With good knowledge of the rules, good concentration, good anticipation and good positioning, doubt can almost always be avoided.
9. Whenever an incident resulting in contact has been green-flagged, the circumstances should be analysed carefully after racing. Somewhere an error has occurred, either in rules knowledge or interpretation by an umpire, by failure in concentration, by bad positioning or for some other reason. It is

important that umpires discuss and learn from such errors Seeking out the competitors' view often helps this process, and equally important, always helps competitors understanding why the incident was green-flagged.

B4 On the Water Penalties

In team racing, a boat that acknowledges she has broken a rule of Part 2 (except rule 14, but including the Part 2 rules in D1.1), rule 31 or rule 42 shall comply with rule 44.2, except that only a One-Turn is required. That is: after getting well clear of other boats as soon after the incident as possible, the boat shall make one turn, including one tack and one gybe. This includes breaches in the pre-start (rule D2.1 (c)).

A boat that is penalised by an umpire, including pre-start breaches, shall take a Two-Turns Penalty in compliance with rule 44.2 (i.e. by promptly getting clear of other boats and then making two turns in the same direction, including two tacks and two gybes (rule D2.2(c)).

A boat that is penalised by an umpire, but fails to complete the Two-Turns Penalty in compliance with rule 44.2 or fails to take a penalty when required, may be required to make one or more additional penalty turns or may be "Black-Flagged". Umpires that impose penalty turns need to watch the boat concerned to ensure that a full Two-Turns Penalty is taken. Black-flagging in this case is for deliberate disobedience of an umpire's instruction only, and should be very rare.

The advantage of black-flagging is that it allows any penalty for such disobedience to be determined away from the incident, and after due consideration and reflection. The disadvantage is that at the same time it means that the outcome of the race instead of being determined on the water, will be determined later ashore.

A boat that chooses to exonerate herself by making a turns-penalty in response to a protest from another boat, but fails to make the turn in accordance with rule 44.2, shall not be penalised by an umpire for this failure, unless she has gained an advantage by breaking a rule, in which case the umpire may impose additional penalty turns (rule D2.2 (d)). However, if the boat that protested sees that the other boat has not complied with rule 44 (Taking a Penalty), she may protest again, and this time the umpire may impose one or more penalty turns.

B5 Team Racing Formats

There are three basic formats for team racing: Two, Three and Four-boat. Two-boat means there are two boats per team, Three-boat, three boats per team etc.

In Two-boat team racing the scoring system makes the team with last place lose the race. This format tends to see the racing split into two pairs, thus umpiring with only one umpire boat can be difficult.

Three-boat team racing is the most common race format where, by using Appendix D, the team with ten or fewer points wins the race. Four-boat is used for the Optimist Worlds and some keelboat events. The large number of winning combinations, and the number of these that are unstable, tend to result in teams winning by driving two opponents to last and second last.

Although in an ideal world there would be one umpire boat with two umpires assigned to each of the boats on one team (full umpiring), most events have fewer resources, so there may be just two or sometimes one umpire boat for each race for instance in a three boat race. Some race committees prefer to use the special rule for limited umpiring (rule D2.3(b)) when there is just a single umpire boat for a three boat team race. However, when there are two umpire boats, careful team work can provide a high level of service to competitors.

In many events a second or third umpire boat joins the racing for the start and the first leg, breaking away after the windward mark and returning for the next start. For a great many races this is an excellent use of resources. Chief umpires should examine the race schedule to ensure that races between high seeded teams are as fully umpired as possible.

In races which are not fully umpired, but where a race may become very one-sided, umpires need to consider dropping to just one umpire boat and the other boat returning to help with "hotspots" in other races on the course.

B6 Techniques

The comments made in this section refer to "full umpiring" in three-boat team racing.

(a) A team effort:

In "full umpiring" there will be two umpires in each of three umpire boats. Umpiring the race starts by taking the boats on one team and assigning each of the umpire boats to one of the boats on that team. One method is for each umpire pair to always take the lowest or the highest or the middle sail number. Often hull and sail identification numbers are different, but remember the sailors can normally only see their own sail numbers, although they can see both hull and sail numbers on other boats. (This is a source of confusion, and should be clarified at the initial briefing).

Although each umpire boat will concentrate on their own boat, the driver must also be aware of the other five racing boats and two umpire boats. Consideration of the effects of wash on both competitors and other umpires is important, but umpires also need to

be aware that another umpire may have a more urgent need to get into position, so should be prepared to give way.

Because of the large number of boats on the course (9), it is often difficult to be positioned in the ideal place. It is however possible that another umpire is better positioned, and if he sees contact he should signal to the other umpire by tapping his head and pointing at the boat concerned.

Sometimes an umpire may see the entire build-up of an incident and should indicate which boat he considers has broken a rule, but under no circumstances should he "flag" another umpire's boat/incident (unless the other umpire has passed on responsibility). Radios are rarely used in team racing, so precise hand signals are needed. There is a simple signal to pass on responsibility: one umpire boat may communicate to another that he can make the decision (pointing at himself), and the reply from the other umpire (to say: please make the decision on my behalf) will be to point at the other umpire. The other umpire then signals the decision. If the other umpire does not receive such signal he should not make the call.

If each umpire boat has a radio, the radio calls should be restricted to the following:

- 1 to pass over facts ("Negative overlap at the zone")
- 2 for confirmation: "I can make the call"
- 3 to alert the other umpire of outstanding protest

(b) Positioning and Proximity

Positioning of the umpire boat is all-important, because without proper positioning the umpires will not get an adequate view to make accurate judgements. Good positioning needs to balance what needs to be watched this moment with anticipation of where the umpires will need to move to see what is likely to happen next.

(c) Following and Deciding

Each umpire boat should "follow" one boat, and play the role of that boat. One umpire (normally the driver) constantly considers what "his" boat is doing and what it will or can do, and states this aloud. The other umpire role-plays whichever boats from the other team in the vicinity of the followed boat. The umpires thereby talk through each situation with each other as it evolves, as if each is helming "his" boat. This way, they will usually have decided the incident as it happens. However, as team racing incidents frequently involve more than one boat from each team, umpires must also remain aware of other boats on their team, and state aloud when they might become involved in the incident or affect the tactics of the boats in the incident. See also E 11 of this manual.

(d) Concentration and Anticipation

Concentration and anticipation are two keys to successful umpiring. Umpiring continuously for a long day is a big challenge for the concentration. Therefore, it is essential that the talking mentioned in paragraph (c) continues throughout the race. This greatly assists the umpires to maintain concentration and thereby produce good judgements.

An umpire is required to develop a good understanding of team racing tactical moves. This is important to be able to anticipate the next most likely action. Discussion between umpires and experienced team racers is an excellent way to help improve the understanding of the game. See also E 6 of this manual.

(e) Developing an "Automatic Pilot"

Umpires need a constant overview of the situation: wind conditions, current, local circumstances, which team is winning etc., all of which will affect each boat's options and likely manoeuvres. The umpire can then consider the tactical moves the boats may make, and what rules apply between them. This information, plus the facts of the actual situation, enables the umpire to determine the best place for the umpire boat. Being in the right position is essential for reaching good decisions on incidents.

This whole process is too time-consuming for the umpire to consciously go through it, so it needs to become automatic. To achieve this, umpires need to practise on the water or with models, or visualise mentally, and to try it deliberately again and again. The next step is to continually review it and improve it until the whole process becomes automatic.

Once this process has become automatic, it releases capacity for talking and decision making - and all umpires should work on improving this ability.

(f) Breaches not involving your own boat

In simple terms there are two situations:

1. The other umpire has not seen the collision. In this case, get the other umpire's attention (possibly by blowing a whistle) and then tap the top of your head with your hand.
2. The other umpire has not seen the incident and there is a valid protest. If you have seen the entire incident and are able to make the call, you should use the signal to pass on responsibility. One umpire boat may communicate to another that he can make the decision (pointing at himself), and the reply from the other umpire (to say: please make the decision on my behalf) will be to point at the other umpire. The other umpire then signals the decision. If the other umpire does not receive such signal he should not make the call.

3. Umpires should not make calls for other umpires unless there is an engine failure or a similar situation.
4. Umpires should be aware that others may have been better positioned to see an incident, so should look around for support, especially in the event of possible contact.

B 7 Umpire skills and qualifications

The skills and qualifications needed of an umpire are set down in Part C, and umpires at all levels should aim to improve on these skills as much as possible.

Note that the skills list does not only address technical matters, but also puts considerable emphasis on the temperament and behaviour of the umpires. One example would be confidence. A good umpire will have confidence, but never complacency, and he will be able to demonstrate his confidence in his relations with competitors, committees, media and the public.

B 8 Discussion

Umpiring decisions must not only be made in accordance with the Racing Rules of Sailing (RRS), but as far as possible must be seen to be so. This "visibility" can be enhanced by discussions, both before and after sailing, between umpires and competitors. These discussions are a proper part of the process and should be encouraged. See E 6 of this manual.

B 9 The Call Book for Team Racing

To ensure consistency in the interpretation of the rules among competitors and umpires, ISAF has published The Call Book for Team Racing. This book is an all-important tool for umpires, and they are required to follow it. Whether or not an umpire agrees with a Call, it is the interpretation that the competitor is entitled to expect and will have built his tactics around.

The Call Book is under constant development, and the procedures for new calls and amendments are contained in it.

PART C

REQUIREMENTS FOR AN INTERNATIONAL UMPIRE

C	REQUIREMENTS FOR AN INTERNATIONAL UMPIRE.....	2
C1	ISAF Regulation 15.10, International Umpires Sub-Committee.....	2
C2	ISAF Regulation 33, International Race Officials Administration.....	2
C3	Performance Assessment	2

C REQUIREMENTS FOR AN INTERNATIONAL UMPIRE

C1 ISAF Regulation 15.10, International Umpires Sub-Committee

This regulation contains information about International Umpires Sub Committee (IUSC) and defines the committee's tasks.

C2 ISAF Regulation 33, International Race Officials Administration

This regulation defines the requirements for IU's. The main part is common to all International Race Officials, including IUs. The specific requirements to IUs are stated in Regulation 33.12.

Although ISAF conduct separate Team Racing Umpiring Seminars and Match Racing Umpiring Seminar, the system does not distinguish between a TR and a MR umpire. The requirements for seminar, examination, performance assessment and events are the same. However, the contents of the examination for the two disciplines are slightly different.

Regulation 33 may be changed from time to time, and the current version can always be found at the ISAF website www.sailing.org

C3 Performance Assessment

Before initial appointment, a candidate for IU must pass a performance assessment. The purpose of the performance assessment is to establish that the candidate fulfils the requirements stated in Regulations 33.9 and 33.12(b).

The form, including the current criteria used in the performance assessment, may be found at this page on the ISAF website:

- Select Race Officials on the home page;
- Select How to become an ISAF Race Official;
- Select International Umpire (IU);
- Select ISAF Umpire Performance Assessment Form.

PART D

APPENDIX D – TEAM RACING RULES

Appendix D is part of the Racing Rules for Sailing. Together with the Call Book for Team Racing they form the rules for Team Racing.

All umpires, race officials and sailors need to have the current version of the Racing Rules of Sailing.

PART E

MECHANICS OF UMPIRING

E	MECHANICS OF UMPIRING	2
E 1	Preparation.....	2
E 2	The Chief Umpire	2
E 3	Initial Umpire Team Meeting	3
E 4	Meeting with the Race Committee	5
E 5	Competitors and Umpires Meeting.....	6
E 6	Post-Race Debriefings	7
E 7	Driving the Umpire Boat	8
E 8	Radio Communication	9
E 9	Using a Radio.....	9
E 10	Umpire Equipment	10
E 11	Umpire Interaction.....	11
E 12	Umpires' Instantaneous Calls	13
E 13	Penalty Signals	14
E 14	Red-flag Protests	15
E 15	Umpiring Team Assignments.....	16
E 16	On-Shore Duties	16
E 17	Explaining Decisions to Competitors.....	17

E MECHANICS OF UMPIRING

E 1 Preparation

The days before the racing starts should be used by an umpire to prepare for the event. Even those who umpire regularly should:

- (a) Look through the Team Racing Call Book and any Rapid Response Calls.
- (b) Re-read Appendix D.
- (c) Re-read Part 2 and the Definitions of the RRS.
- (d) Obtain and read carefully the Sailing Instructions and Notice of race.
- (e) Review the Mechanics and Scenario Parts of this Manual.

If there is no opportunity to sail the boats, umpires are wise to follow the boats when they are practising before their start, to get a feel for the boats speed and manoeuvrability. Unless the boats are obviously preparing for their pre-start, it is quite all right to go up and ask them to show you some manoeuvring.

Before each race, the umpires should always check the identification of the boats they are umpiring.

If there are any races proceeding your own, it is also useful to "shadow-umpire", provided you do not get in the way! This really does "warm up your rules brain cells" as well as tries out your communication with your fellow umpire.

E 2 The Chief Umpire

It is usual, but not mandatory, for the Chief Umpire to also be the Chairman of the Protest Committee or International Jury.

The duties of the Chief Umpire will include:

- (a) Act as the link between the Race Committee and the umpiring team, both ashore and on the water.
- (b) Act as representative and spokesman for the umpiring team at meetings, functions, press conferences, etc.
- (c) The PRO, in consultation with the Chief Umpire, will decide the time when hearings will be held. The Chief Umpire decides how and where on- and off-the-water protest hearings will be conducted and makes all the arrangements.
- (d) Prepare and distribute the umpiring team assignment sheets.

- (e) Re-arrange the team duties on the water in cases of boat breakdown or other problems.
- (f) Arrange for and chair the initial meeting of the umpiring team.
- (g) Arrange for and chair the umpire/skippers meeting.
- (h) Arrange for and chair the umpires' post-race debriefing meetings.
- (i) Assign any further on-shore duties to the umpires (as described in E 16 of the Manual).
- (j) Fulfil all the normal duties of a protest committee or jury chairman, if appropriate.

It is also common for the chief umpire to be consulted on various matters, such as Notice of Race and Sailing Instructions, before the event.

E 3 Initial Umpire Team Meeting

The initial team meeting should be held in adequate time before the racing begins. When boat drivers are to be used, they should attend the meeting. Matters to be covered will depend upon the event. The following list provides a variety of matters that could be covered:

BRIEFING CHECK LISTS - UMPIRE TEAM

Introduction:
 Welcome
 Umpires and judges - names
 Introduce: organisers, race officer, etc.
 Umpire team assignments
 Umpire boats
 Equipment (including identification of umpire boats)
 Buoyancy aid rules
 Damage- who to report to
 Meals
 Transport
 Social
 Accommodation
 Expense claims

DAILY ROUTINES AND PROCEDURES:

Transport to/from accommodation
 Start time and umpire briefing/assignments
 Time of umpire debriefing
 Lunch & water

- Fuelling
- Equipment storage
- Medical emergency procedures
- Red-flag protests (not part 2)

SAILING INSTRUCTIONS & NOTICE OF RACE:

- Event format
- Course location and configuration
- Damage notification and control (including deposit system)
- Rules for handling the boats

UMPIRE EQUIPMENT:

- Boats
- Radios
- Channels
- Re-charging
- Storage
- Flags

UMPIRE TECHNIQUES:

- Positioning
- Characteristics of the boats
- Signalling penalties
- Loss of umpire boat/equipment/engine failure
- Signalling when an umpire boat becomes an obstruction
- How long is "initially" for the purpose of rule 15
- Discuss room required for "about to round" with regard to wind and sea state
- Class rules and rule 42

METHOD OF UMPIRING:

- Umpiring or limited umpiring
- Policy on yellow flags
- System when less than full umpiring
- Communication between umpire boats when one is unsighted.

COMMUNICATION WITH RACE COMMITTEE:

- Umpire readiness to start (i.e. telling the P.R.O. when the umpires are ready to start and vice versa)
- Recalls
- Umpire foul-ups

Monitoring umpire radio
Handling penalties on finish line (and telling finish officer)
Calling breakdowns
Red-flag protests (not Part 2)

COMPETITORS:

First briefing
Morning briefing
Daily debrief with umpires
Talking to competitors at the finish; ashore
Questions and answers (formal and informal)

E 4 Meeting with the Race Committee

The chief umpire should meet early with the race committee (this meeting could involve all umpires). Matters to be covered will depend upon the event. The following list provides a variety of matters that could be covered:

CHECKLIST OF ITEMS TO BE COVERED AT PRE-RACE MEETING WITH RACE COMMITTEE:

1. Introduce umpires to the race committee
2. Confirm daily routines and procedures :
 - Morning meeting - amendments to sailing instructions
 - Competitors debriefing and briefings
 - Evening debrief (time and venue)
 - Race committee's intentions regarding the racing schedule (e.g. planned number of flights per day).
3. Sailing Instructions & Notice of Race
4. Event format
5. Course location and configuration
6. Damage notification and control
7. Handling the boats
8. Procedures should it not be possible to complete the full racing programme
- 9 **Communications**

Radio:
Umpire channel
Readiness to start
Black flags
Breakdowns

Red-flag protests
Umpire foul-ups

10 The Course

Location, proximity to obstructions
Starting line, length, bias, ground tackle
Course length, bias
Time limits, none

11 Signals

Starting system
Recalls system, how long for
AP and N, always followed by attention signal
Change of course, during starting sequence and subsequent changes
Abandonment
General recalls
Finish

12 General

Discussion on any problems umpires have encountered at other events, and which could occur again, and procedures to be put in place should they arise.
Procedures for protest hearings on the water and ashore.

E 5 Competitors and Umpires Meeting

Before racing begins (and preferably after practice racing) the umpires should meet with all competitors. The contents of a briefing before racing will vary considerably and depend upon the level of experience of the competitors.

With experienced competitors, it may well be sufficient to ask whether they have any questions, whereas with sailors with little experience various matters may be covered, maybe even the starting procedure.

The chief umpire may select matters for the briefing from the following list:

- (a) Sailing Instruction amendments and any unusual provisions.
- (b) Umpire boat identification.
- (c) Displaying and removing red and yellow protest flags for Part 2 protests.
- (d) Red flag protests (other than Part 2) and black flags.
- (e) Yellow flag procedure when using limited umpiring
- (f) Unacceptable behaviour.
- (g) Procedures for on-the-water protest hearings.

- (h) Post-race debriefings.
- (i) Drawing attention to written answers to written questions.
- (j) Briefing on the umpires' approach to any particular rules discussed at the initial umpire team meeting.
- (k) The umpires' policy on matters on which Appendix D allows umpires to take direct action.
- (l) Questions of clarification from competitors. If attendance is not mandatory, answers may need to be written up and posted.
- (m) For keelboats, consider adopting the match racing arm signals in rule C2.7.
- (n) It is helpful to raise an arm clearly and call to the umpire and other competitors to acknowledge a breach.

This meeting may follow the briefing of competitors, which is usually conducted by the race committee. It is good policy for umpires (and always the chief umpire) to attend that meeting.

E 6 Post-Race Debriefings

1. Debriefings provide the greatest learning opportunity for umpires and competitors. A short meeting between umpires and competitors at the end of each day's racing should happen at all events. At this meeting, any of the day's problems can be discussed, and umpires who had any interesting or difficult calls can explain the circumstances.
2. Umpires have an obligation to explain any unusual calls to all competitors and umpires. Telling all competitors and all umpires about a call leads to consistency and learning by all.
3. A group discussion, using boat models preferably on a magnetic whiteboard, will be of benefit to everybody.
4. Most skippers and crews appreciate the opportunity to be present at these meetings. Their attendance should be encouraged, as should discussion on calls and differences in opinion.
5. Whenever two people, umpires or competitors, think that different things happened, they are unlikely to change their mind. We all see things differently and it is important to bear this in mind. It is important however, to distinguish between differences of opinion relating to what happened (facts) and interpretations of the rules. When there is a difference in opinion as to what happened, it is important to leave everybody clear: both opinions should be presented;
 - i. if this happens - this is the call...

- ii. if the other happens - this is the call...
6. Umpires should be prepared to admit any errors quickly and graciously. This increases rather than reduces their respect amongst competitors.
 7. Discussions about how the rules and the Call Book might be improved do not belong in a debriefing. They can, however, be very valuable, and the chief umpire may suggest having a chat about it (in the bar) afterwards.
 8. When situations occur that are not included in the Call Book, it is important to decide how to call them the next time. Find out what the rule actually says. If the rule is clear, do what the rule says - even if you don't like it.
 9. If the rule is not clear, find out what the general feeling is about which way to go, and go with the majority. When there is a divided opinion, the chief umpire must decide. It is almost always better to "sleep on" any such decisions before announcing it. Group discussions can become focussed on one aspect only and miss an equally significant counter argument. It is important to make it absolutely clear that whatever is being decided is for that regatta only.
 10. Any new calls should be submitted by the chief umpire to the ISAF Team Racing Rapid Response Panel.
 11. There have been occasions when competitors have behaved aggressively at debriefs. One way of avoiding that, when a competitor seems to be upset when he arrives at a debriefing, is to state that everybody is there to learn, not to argue. Invite each competitor to give his opinion about what happened, using the model boats. Permit the opponent to agree or disagree. In this way, the competitors might solve the problem themselves.
 12. In the unlikely event that a competitor starts to be abusive, he should be reminded why they are present. It would be advisable to have a word with the competitor afterwards and point out that abusive behaviour could lead to a hearing under rule 69.

E 7 Driving the Umpire Boat

Umpire boats should normally be driven by one of the umpires. Some owners, who provide their boats on loan for umpiring, understandably wish to drive their own boats.

The advantage of an umpire driving is that the boat can be placed exactly where the umpire requires without the need to give directions to another person.

Sailors with good rules knowledge make ideal drivers and soon learn to place the boat where the umpires require. For important races such as finals, there are usually unallocated umpires who can drive and position the boat accurately leaving the duty umpires to concentrate fully on the boats.

Hand signals can be quickly agreed between umpires and their driver so that the driver can continue to receive direction while the umpires are talking. "Ahead", "right", "left",

"fast ahead", "stop" and "turn" are usually adequate. To avoid possible confusion, all directions to the driver should come from one umpire only.

Before the first race the umpire boat should be put through its paces, so the umpires can understand its capabilities. How quickly can it turn, reverse and accelerate? Half way through the first pre-start may be too late to discover your boat always stalls when put into reverse, or has some other peculiar characteristics.

Some umpire boats when driven slowly for a long time can become susceptible to stalling, in such cases every so often between races put the boat through its paces! (But beware that in many inland venues with shared water usage this may require discretion.)

E 8 Radio Communication

At a principal event there should be a radio system allowing communication between umpires and chief umpire, and chief umpire and RC. The ideal system would be to have separate channels for each race, but it is more usual to have only one channel.

For general radio traffic, the "call signs" for each boat are "Umpire One", "Umpire Two", etc. Due to the possibility of the short word "No" being lost in a radio transmission, umpires and wing umpires should always use the word "Negative" (e.g. "Negative contact") instead.

E 9 Using a Radio

There are standard procedures for using a radio, and these key points should be observed for general radio traffic.

(a) Establishing Contact

Your call to establish contact with another station consists of "CALL SIGN this is CALL SIGN" (e.g. "Umpire Two this is Umpire Three" or "Umpire Two Umpire Two this is Umpire Three").

When Umpire Two receives your call he will respond the same way (e.g. "Umpire Three this is Umpire Two").

Note that the station being called is stated first. Do not call "This is Umpire Three calling Umpire Two".

Do not call "Do you receive me?" This is an example of unnecessary wording, for if the called station has received you, it will respond; if it has not received you, there will be no response.

(b) The Conversation

Once both stations are in contact, your procedures can be more informal, but remember to keep them to a minimum.

The words "over" and "out" should be avoided except when your receiver may be in doubt about your intentions. These words denote:

OVER - This is the end of my message to you and a response is necessary. Go ahead and transmit.

OUT - This is the end of my transmission to you and no answer is required.

(c) Voice Procedures

CLARITY - Do not slur. Get your message clear in your mind before you speak.

CONCISENESS - Keep every message as short as possible.

RHYTHM - Divide messages into sensible phrases.

SPEED - Speak more slowly than normal.

VOLUME - Same as normal conversation. Shouting causes a distorted transmission.

(d) Noise

If possible, move away from any background noise such as the engine.

Shield the microphone. Wind blowing into the microphone will distort your transmission.

(e) Confidentiality

Radios are not the place for confidential messages. You can assume that every time you use the radio, outsiders are monitoring your conversation. Also watch your language.

E 10 Umpire Equipment

The equipment needed by umpires:

- Set of umpire flags
- Wet note pad and pencil
- Whistle (umpire to supply)
- Race schedule
- Umpire rotation
- Radio
- Hat, sunglasses, water or winter equivalents

Whistles need to be of a good quality that carries over a long distance.

E 11 Umpire Interaction

RIGHTS REASONS OBLIGATIONS OPPORTUNITIES

The principles of the umpire system have been covered in Part B of this Manual.

A further key to successful umpiring is good interaction between the two umpires. This is helped by the umpires standing or sitting close together and speaking loudly and clearly so that each can hear the other. This should keep both umpires' opinions in step.

If opinions get out of step, the umpires must immediately resolve the difference. If they have a difference of opinion, then perhaps the competitors have a similar difference and an incident may be imminent. The conversation between two umpires could be, for example:

Umpire 1: "I am right of way - leeward - I can sail above proper course - I must give you room if I change course"

Umpire 2: "NO! You established the overlap from clear astern. I am keep-clear boat, I am keeping clear."

Umpire 1: "I agree".

Here the difference of opinion is immediately resolved. If the first umpire had not corrected himself by saying "I agree", then further speedy discussion would have been needed to resolve the difference. Had the first umpire not been speaking loudly and clearly, then the difference of opinion may not have been detected.

An umpire's conversation should not over-emphasise what his boat is doing. It should concentrate on what his boat must do, or must not do, or is permitted to do, or is not permitted to do.

Each umpire starts with the **RIGHTS** - this refers to who has, or has not the right of way.

Next in line are the **REASONS** - the reasons why a boat has right of way: starboard/port; windward/leeward; clear ahead/clear astern; not moving backwards/moving backwards; not taking a penalty/taking a penalty, etc.

The boat's **OBLIGATIONS** are next - the need to 'keep clear'; the need to give 'room'; not permitted to sail above close-hauled; not interfere with a boat on another leg, etc.

Finally the boat's **OPPORTUNITIES** - to sail above close-hauled; to tack; to go for an overlap, etc. If the umpire knows what opportunities his boat has available, it will be easier for him to anticipate his boat's next move.

An umpires' conversation correctly using these principles could be:

Umpire 1: "I am right-of-way boat - I am on starboard - you must keep clear - I am able to change course" (RIGHT - REASON - OBLIGATION - OPPORTUNITY).

Umpire 2: "I must keep clear, I am on port. If you change course you have to give me room to keep clear" (RIGHT - REASON - OBLIGATION).

By focusing thoughts and conversation on Rights, Reasons, Obligations and Opportunities, many incidents will be resolved even before a boat protests.

How can we improve our umpiring – Umpire faster.

The first contribution is to make the communication between the two umpires who are umpiring a race even more effective. As novice umpires, our first attempts to communicate with our fellow umpire primarily involves calling of facts; we describe the positions of the boats, their relationships, courses, etc. This communication mode is not optimal. The umpires call several facts of minor relevance, they have troubles calling all they want in the time available, and when the boats are protesting, it may take quite a while before they reach a decision. The problem is that they communicate in the early stages of an incident and do not work their way through to the decision-making process until there is a protest. The result is that their decision-making process seems to take very long.

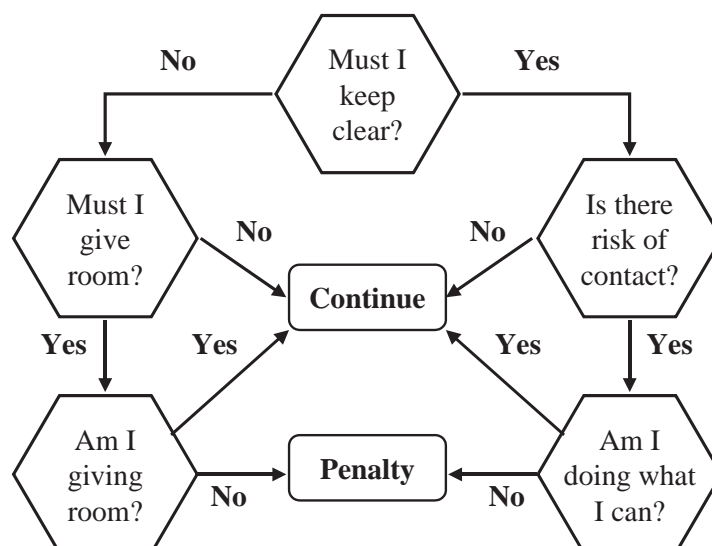
To make the communication more effective, we might switch to the mode where we call rights and opportunities for the boats instead of facts. This was explained earlier in the manual as Rights, Reasons, Obligations and Opportunities. The communication about rights and opportunities will typically involve less verbal communication than focusing on facts. The calling still involves issues of minor relevance. It is a clear improvement over the facts based conversation. Yet the problem still is that the conclusion concerning rule violation is not discussed until very late in the decision making process. The umpires, to some extent, need to reproduce to each other the manoeuvring of the boats throughout the incident.

To make the communication even more effective, we should aim at making decisions throughout the development of an incident. In order to accomplish that, we can communicate about the boats' obligations and fulfilment of these obligations. The umpire statements should deal with the obligations of their boat(s) and its fulfilment of these obligations. Thus a working umpire may continuously think and call in terms of the decision structure provided by the figure below.

At every point in time, both umpires determine if their boat(s) fulfils its obligations instead of calling its rights and opportunities. They also express whether they agree or disagree, which confirms that they are actually listening to each other. Consequently, it is very quickly in the incident to decide that a boat did or did not fulfil its obligation and must be penalised (or not) accordingly. When this mode of communication is

conducted in an optimal manner, the umpires often experience to have decided a protest well before the boats have even waved their first protest flag.

The core of this decision-making process is in a simplified manner illustrated in this figure:



This mode of umpiring requires considerable training. But once you succeed, the process of deciding a protest becomes much simpler and quicker. When the amount of information communicated between umpires is reduced considerably, they suddenly find time to try predicting what the next manoeuvres of the boats will be, and that in turn facilitates a more relevant communication about obligations and fulfilment. Furthermore the reduced amount of speaking required by the umpires gives them more time to listen to each other.

E 12 Umpires' Instantaneous Calls

In addition to the "RIGHT - REASON - OBLIGATION - OPPORTUNITY" information passed between the two umpires there will be a number of moments when an umpire must make an "instantaneous call", like a photograph that freezes a particular moment. These calls must be concise and be made at the exact moment they apply.

The most frequent instantaneous calls will be for:

- Close-hauled (after tacking)
- Starboard/port (after gybing)
- Head to wind
- Tacking (passed head to wind-changed tack)
- Overlapped

- Seventeen (overlap established from clear astern within two lengths)
- Clear
- Zone
- Changing course

Most of these terms are too lengthy to be concise, so umpires can substitute a short and sharp word like NOW (or even DONE) at the appropriate moment. Examples of instantaneous calls could be:

"Close-hauled.... NOW!" or

"Changing course NOW!" or

"Zone NOW!"

E 13 Penalty Signals

A penalty signal consists of two parts - the sound and the flag. The sound signal comes before the flag, for the sound means in effect "The decision is about to be announced".

The flag must inform both competitors and the spectators of the decision, so it must be displayed prominently. It is recommended that the signal be held aloft then pointed at the penalised boat for not less than ten seconds. Umpiring can continue uninterrupted while the flag is being held up. The Umpire should also hail the sail number of the boat that is penalised. Umpires should delay signalling a penalty when the boat to be penalised is approaching a mark and cannot take the penalty before the mark without risk of fouling its opponent or taking action that would severely increase the penalty.

Similarly, if boats are in a tight manoeuvre, a short delay in the signal may be appreciated by the boats.

Mistakes by umpires in displaying flags cannot be corrected. The potential for error can be reduced if the following system is used.

The non-driving umpire (umpire 2) is responsible for the procedural requirements of a correct protest.

If the driver (umpire 1) sees a flag he shall loudly call "Red Flag"... or if umpire 2 hears this or sees the flag himself he shall say loudly "Red Flag seen". When the "Yellow Flag" is shown umpire 1 calls "Yellow Flag" and if umpire 2 either hears this or sees the flag himself he shall loudly say "Red and yellow seen".

Umpire 1 then gives his opinion "Red-flag number 12", if umpire 2 agrees he says "Agree red-flag number 12" and then umpire 2 whistles and flags number 12.

If umpire 2 disagrees, then the umpires should come to a mutual decision within 20 seconds or "Green -flag" the incident.

Incorrect competitor flagging procedure:

This is a common problem in team racing

1. The red flag must be displayed in a manner that allows the protested boat to know that he is being protested. This means the flag must be at least 100mm by 150mm and waved or displayed prominently, and that a clear audible hail must be made to the protested boat. Failure to do this results in an invalid protest, which if a yellow flag is subsequently flown shall be green-flagged.
2. The yellow flag must not be displayed before the protested boat has had an opportunity to respond, approximately 5-8 seconds. Failure to do this result in an invalid protest and a green flag shall be shown.
3. Display of a yellow flag without a red flag having been displayed. Again this is an invalid protest. Green-flag.
4. When a team mate calls to a team mate to protest, the gap is normally sufficiently long that the protest is deemed invalid as it is not immediate.

While green flags are not required by the appendix in the case of invalid protests, they do close the incident, which is useful for all concerned.

At the end of the race umpires should advise competitors of the reason for green-flagging such an incident.

E 14 Red-flag Protests

If a boat finishes a race displaying a red flag, then the umpires should ask about the nature of the protest. This is not the time to take any evidence. The umpires give the information to the chief umpire (or jury chairman) who will decide who will hear the protest, and where and when it will take place. The boats involved must then be informed.

Protest hearings can be held aboard a suitable boat, which could be a spectator boat, a race committee boat or an umpire boat. They may also be held by "rafting up" some umpire boats and even the boats concerned, although this usually means there will be a number of onlookers listening in to proceedings. Radio discussions should be avoided.

If it appears that an on-the-water hearing may cause a considerable delay in the racing programme, it may be an option to delay the hearing until after the last flight of the day.

A wait can sometimes provide another advantage, for if further flights are held before the hearing takes place, it can occur that no matter what the decision of the protest is, the overall result will not be affected. (A protest win will not move a competitor further up the ladder or a loss further down the ladder.)

As the possibility exists that there may be a red-flag protest in the last race of the last flight of a day, the chief umpire may instruct that umpires are not to return to shore until the last race finishes.

E 15 Umpiring Team Assignments

It is a duty of the chief umpire to "pair" the umpires and allocate boats and drivers. A good system is to complete "umpiring team assignments" sheets and distribute them to the team. The chief umpire may decide to delegate this job.

It is not a wise policy for umpires to work as the same pair throughout an event, or for a major period. There is the danger that two umpires working continually together may develop a viewpoint that is slightly different from another pair. This can result in inconsistencies which may be confusing or even unfair to competitors, so changing pairs as frequently as practical is recommended.

Frequent re-pairing also means that any improved techniques developed by an umpire are soon exposed to a number of others and can be replicated throughout the team. By these means umpiring standards should continually improve.

E 16 On-Shore Duties

So as to ensure smooth running, it is recommended that the chief umpire allocates specific on-shore duties to the umpires. This will usually happen at the first briefing of the umpiring team.

Each event may differ, but the example given below is an actual "umpires' daily on-shore responsibilities" sheet used at a major event.

First-mentioned umpire in each boat (from assignment list)

- Check the notice board
- Confirm boat has fuel
- Confirm umpire flags, whistle and radio are on board
- Decide who will direct the driver or drive the boat
- Ensure speedy change-over occur on the water
- Attend on time at the post race debriefing.

Second-mentioned umpire (from assignment list)

- Check the notice board
- Put umpire flags on board
- Pick up radio and check its operations
- Ensure lunches and drinks (no alcohol) go on board
- On return, help the driver secure the boat, clean up and remove rubbish.
- Ensure that the boat will have adequate fuel for the next day
- Return radio and make sure it is put on charge
- Attend on time at the post race debriefing.

E 17 Explaining Decisions to Competitors

Umpires must be willing and available to explain their calls to the competitors. The time for explanations can be:

- a) Ashore after racing, for example on the dock or in the bar.
- b) At the umpires' post-race debriefing meeting. The competitors should be advised of the time and place of these meetings and be invited to attend and hear the explanation.
- c) On the water at the conclusion of the race. Experienced team racers usually use this to confirm that their understanding of the rules is the same as that of the umpires, and therefore the conversation is likely to be quick and civil, starting for instance by the competitor asking "what did you see?" Less experienced team racers are more likely to want to prove that "they were right" and the conversation can easily turn into an argument. In such cases the umpire must avoid getting pulled into an argument and should finish the conversation by advising the skipper "See us when ashore". This is also important as it is likely that the conversation is holding up the event.

Explanations should be restricted to giving the reason for the call, for example "We considered you had no need to change course to avoid the port-tack boat". Any rational discussion on the applicable rules and "what if?" questions should be answered, but umpires should not enter into any argument concerning the facts. Giving reasons for calls should promote good umpire/competitor relationships, but any head-to-head argument over the correctness of a call will damage those relationships.

Informal discussions between competitors and umpires provide a good way of developing the game of team racing, as both parties usually have something to learn from each other. It is important to respect the other party's point of view.

PART F

UMPIRING SCENARIOS

F	UMPIRING SCENARIOS	2
F 1	Close-Hauled, Particularly after Tacking	2
F 2	Gybing	2
F 3	Head to Wind.....	2
F 4	Room to Keep Clear	3
F 5	Fish-tail.....	3
F 6	Approaching the Starting Marks.....	3
F 7	Close Tacking	3
F 8	Slam Dunks.....	3
F 9	Proper Course	4
F 10	Sailing above Proper Course Downwind.....	4
F 11	Overlaps.....	5
F 12	Mark-Room	5
F 13	Touching a Mark	7
F 14	Passing Obstructions.....	7
F 15	Room at Continuing Obstructions	8
F 16	Propulsion.....	9
F 17	Finishing Line Incidents	9
F 18	Damage from Contact.....	9
F 19	Incidents with a Boat in Another Race.....	10
F 20	Arm Signals	10
F 21	Gaining an Advantage	10
F 22	Breaches of Sportsmanship	11
F 23	Other Penalties Initiated by Umpires.....	11
F 24	Red/Yellow Flag Displays.....	11
F 25	Taking Penalties	12
F 26	Contact between team mates	12
F 27	Black Flag Breaches	12

F UMPIRING SCENARIOS

A number of the common situations in which an umpire will be called upon to exercise his judgement are discussed in this part. Far more scenarios are covered in The Call Book for Team Racing, and umpires should study the Call Book in detail so they have no hesitation in making the appropriate decision in those circumstances.

F 1 Close-Hauled, Particularly after Tacking

Throughout the racing the umpires will be called upon to decide a close-hauled course. As this is a judgement call, the umpires should watch boats tacking and sailing close-hauled, then discuss and agree this course even before the start of the race. Before the starting signal, deciding close-hauled will only be necessary when one or both boats tack, because at that moment rights and obligations change. After the starting signal it may, in addition, be a question of proper course on the beat when an overlap has been established from clear astern within two lengths of a windward boat. Finally, a boat taking a penalty by gybing first and then tacking, completes her penalty and gets her rights back the moment she returns to a close-hauled course.

F 2 Gybing

Pre-start manoeuvring as well as downwind sailing can involve a lot of gybing. As rights and obligations change in an instant the moment the boat changes tack, rules 15 and 16 will regulate the actions of the new right-of-way boat. Instantaneous calls are essential (see E12). See also the Call Book.

F 3 Head to Wind

It is not wise for umpires to attempt to be too strict in their judgement of head to wind, for they can be given false indications such as:

- Jibs can back before a boat is head to wind
- masthead indicators are influenced by the sway of the mast
- the crew may roll the boat before reaching head to wind
- wave direction and wind direction may not be parallel

Unless the umpires are very sure, they should rule that a boat has not passed head to wind (last point of certainty).

F 4 Room to Keep Clear

During pre-start manoeuvring luffing is always allowed when there is space available for the windward boat to respond. Even a quick luff by the leeward boat will be within the rules, provided the windward boat can avoid the leeward boat by manoeuvring promptly in a seamanlike way. The umpires need to consider whether the windward boat initially kept clear, whether there was room available and whether she manoeuvred promptly.

As "initially" also comes into play with rule 15, it becomes a common consideration during the pre-start period, so the umpires must very carefully agree how long "initially" is and when it ends. This could be a topic at the first umpires' meeting.

F 5 Fish-tail

The fish-tail is a common manoeuvre. A boat clear ahead is fish-tailing when bearing away and thereby creating an overlap to windward on the boat that was clear astern. Rule 15 does not apply, as the new leeward boat has acquired right of way by the other boat's actions. It follows that the leeward boat does not have to initially give the windward boat room to keep clear. The umpires need to observe whether an overlap is established by the boat clear ahead bearing away, by the trailing boat sailing at higher speed, or a combination of both.

F 6 Approaching the Starting Marks

Rules 18, 19 and 20 do not apply when the boats are approaching the starting marks to start. The umpires must agree when this approach has begun.

F 7 Close Tacking

Whenever a boat is tacking close to another, the umpire must call the precise moment his boat passes head to wind (changes tack) and the moment the tack is complete (for the purposes of rule 17).

F 8 Slam Dunks

A "slam dunk" occurs when two close-hauled boats cross on opposite tacks and the boat ahead tacks quickly as soon as it crosses its opponent. This puts the tacking boat to windward, with or without an overlap.

The umpires need to establish the overlap relationship between the boats at the moment the tacking boat assumes a close-hauled course in order to know whether the leeward boat will be restricted by rule 17.

A good way of achieving this is when the umpire with the starboard tack boat says "complete" when his boat assumes a close-hauled course and the other umpire immediately says "clear" if the other boat is clear astern at that point or "overlap" if the boat gets an overlap in time. If in doubt the assumption is that the overlap was established before the tack was completed. The umpires also need to watch closely for any changes of course from the leeward boat while the other boat tacks and immediately afterwards. When a starboard-tack boat slam-dunks, the port-tack boat will not be restricted by rule 15, Acquiring Right of Way, but she will still be restricted by rule 16, Changing Course. The port tack boat may luff sharply after passing astern of the starboard tack boat in anticipation of the slam dunk, then hold her course to prevent the boat on starboard from completing her tack.

F 9 Proper Course

Downwind protests involving proper course are not uncommon. It is therefore essential for the umpires to establish the boat's proper courses as soon as possible after they begin their downwind leg.

Many dinghies sail fastest downwind by sailing two broad reaches rather than sailing the rhumb line. Watch what good sailors do when unaffected by other boats.

When the boats are gybing downwind it is also essential for the umpires to be aware of the angle to the next mark (or finish line), as this may dictate when a boat must gybe to avoid sailing above its proper course.

Proper course falls into the same category as head-to-wind, and mark touching: accurate judgement can be difficult (and at times impossible) so penalties must be given only when the breach is clear-cut.

F 10 Sailing above Proper Course Downwind

When the boats are sailing close together downwind, the umpires must be aware at all times of the rights to sail above proper course.

These rights can change when, for example, the leeward boat momentarily becomes clear ahead, or gybes. Be aware of a leeward boat performing two quick gybes to get the right to sail above her proper course.

If the windward boat gets close to becoming clear ahead, the umpires must expect a quick luff from her to break the overlap. When the windward boat bears away again there will soon be a new overlap, and this time it will have been established from clear astern, and the leeward boat must immediately bear away (or gybe) should she at that moment be sailing above her proper course. She does not have to sail a proper course at that moment, but as soon as she gets the obligation not to sail above her proper

course she must act to comply with the requirement. The windward boat does not get any protection from rule 15, and she must keep clear at all times.

This is a scenario where if there is contact a penalty may be imposed on both boats, one for sailing above proper course - the other for not keeping clear.

F 11 Overlaps

Careful attention must be given to overlaps, as they are difficult to judge from astern, yet they play an important part in the changing obligations both in the pre-start period and on the course.

Particular attention needs to be given to projecting bow rails, stern-hung rudders and the setting of a spinnaker in its normal position. See also the Call Book.

F 12 Mark-Room

Room given and taken at marks needs to be closely observed. Mark-room may need to include sufficient space to permit a late spinnaker drop, and umpires could be justified in ruling that an inside boat which just manages to pass between the mark and her opponent without contact (perhaps just good luck) was not given room to sail her proper course round the mark.

To improve consistency, umpires could discuss the subject prior to each day's racing, as wind and sea state have bearing on what constitutes adequate 'mark-room'.

Mark-room

The definition Mark-Room consists of two parts and it has one limitation:

A boat entitled to mark-room needs to be given room to sail TO the mark, and then room to sail her proper course when AT the mark. But mark-room does not include room to tack unless the boat entitled to mark-room is overlapped to windward and on the inside of the boat required to give mark-room.

When the boat entitled to mark-room has right of way, rule 18 does not limit her from sailing her proper course (and unless rule 17 applies, even above proper course – a tactical rounding). A keep-clear boat however, need only be given room to sail in a seamanlike way to the mark – and then her proper course round the mark.

Rule 18.2(a)

There is no reference to the zone in rule 18.2(a), and that means;

- For a starboard rounding, a boat on port that tacks to starboard inside the zone, must give room to another boat approaching on starboard that gets an inside

overlap from clear astern (provided it is possible to give mark-room from the overlap begins).

- For a starboard rounding, a starboard tack boat has to give mark-room to a boat on port, that ducks her and tacks to starboard inside the zone – provided the boats are overlapped when the port boat passes head to wind.
- For a starboard rounding, a boat on starboard that is clear ahead at the zone may slow down, and if the other boat (also on starboard) becomes overlapped on the outside – mark-room will include room to tack around the mark.

Rule 18.2(b) & 18.2(c)

When boats are on the same tack, and they are either overlapped or clear ahead/clear astern when the first of them enters the zone (and the boat that is clear ahead reaches the zone first), an inside boat or a boat clear ahead is entitled to mark-room, even if an overlap is subsequently broken or established.

This continues to apply until the boat entitled to mark-room no longer needs it, unless either of the boats passes head to wind or the boat entitled to mark-room leaves the zone. If either boat passes head to wind, rule 18.2(b) ceases to apply, however, should the boats again become overlapped during that rounding, rule 18.2(a) may become applicable.

Note also rule D1.1(b) that changes rule 18.2(b) when a boat becomes clear ahead when another boat passes head to wind.

Rule 18.2(d) & 18.2(e)

As under the old rules, when there is doubt whether an overlap has been established or broken in time before boats get to the zone, you must assume it has not.

And if a boat has obtained in inside overlap from clear astern, and the outside boat has not been able to give mark-room from the overlap began, then the outside boat need not give mark-room.

Rule 18.3 - Tacking When Approaching a Mark

Note that both rule D1.1(b) and 18.3 may apply when the boats are approaching on opposite tacks. Rule 18.3 only applies at a mark on the course – not at obstructions or at starting marks.

Rule 18.4 - Gybing

This rule does not apply for team racing.

Rule 18.5 - Exoneration

Because rule 18 does not override other rules of Part 2, it would have been difficult for an inside keep-clear boat to get to a mark and round it. Rule 18.5 therefore provides for exoneration for breaches of rules of Part 2 Section A while a boat entitled to mark-room sails to a mark and sails her proper course around it. While she is sailing her proper course round the mark she will also be exonerated for breaking rule 15 or 16. However, rule 18.5 does not exonerate either boat for a breach of rule 14.

F 13 Touching a Mark

Umpires must watch for mark touching, as this is often the subject of protests. However, this has not always got priority when the boats are close together.

Before umpires take action under rule 31 there should be no doubt at all that the mark has been touched. If the mark has been touched, the penalty imposed by an umpire, after a valid protest is a Two-Turns Penalty. Umpires may also decide to penalise a boat for touching a mark, even if no other boat protests. If they are certain that the boat was aware of hitting the mark and did not take a voluntary penalty, they should impose a Two-Turns Penalty for a breach of sportsmanship.

A dan buoy is likely to rock as a boat passes it, whether or not it has been touched; so this must not be used as confirmation that it has been touched.

F 14 Passing Obstructions

Rule 19 applies when boats are at an obstruction. However, if the obstruction is also a mark that boats are required to leave on the same side, and is not a continuing obstruction, then rule 18 applies. Regarding the race committee signal boat, before either boat is approaching it from the pre-start side of the line to start, it does not have a required side (rule 28.2); therefore rule 19 applies up to that time. Once the boats are approaching it to start and until they have passed it, rules 18 and 19 do not apply (preamble to Section C).

Definition of Obstruction

An object is an obstruction depending on the size of the object in relation to the size of the boats racing. An area, such as an area defined by keep-out buoys, can be an obstruction if the sailing instructions specifically state that it is an “obstruction.” Umpires and competitors should be clear before racing begins regarding the status of small boats and other objects, and restricted areas, in the racing area.

Rule 19.1

Rule 19 begins to apply when boats are ‘at’ an obstruction. There is no zone around an obstruction. Boats are at an obstruction when one of them reaches the point where she

needs to commit to passing on one side or the other of the obstruction. Once the boats are no longer at the obstruction, rule 19 ceases to apply.

Rules 19.2(a) & 19.2(b)

Rule 19.2(a) is a reminder that the right-of way boat can choose on which side of the obstruction she will pass. But if the boats are overlapped and the right-of way boat chooses to pass on the side that makes her the outside boat, rule 19.2(b) requires her to give the inside keep-clear boat room between herself and the obstruction. If the outside boat is also the keep-clear boat, she must both give room and keep clear.

The test for whether a boat astern can establish an inside overlap and become entitled to room under rule 19.2(b) is whether the boat ahead is able to give the room from the time the overlap begins. This will generally be fairly obvious when observing the situation.

Note that if the boats are not overlapped while sailing near the obstruction, rule 19 provides no protection to a boat clear ahead that is subject to rules 10 or 13.

F 15 Room at Continuing Obstructions

Should a boat that was clear astern and required to keep clear establish an overlap between a boat that was clear ahead and a continuing obstruction, such as shallow water, rocks, sea wall or a prohibited area, the umpires may be asked to judge if there is room to pass between them at the time the overlap begins (rule 19.2(c)).

Room at continuing obstructions is often related to depth of water for which umpires may have no direct information unless they know the particular shore. Umpires should consider that the boat ahead, for tactical reasons, is probably already sailing as close as she believes possible, in which case, if a keep clear boat astern establishes an overlap, she is not entitled to room and must keep clear.

A right-of-way boat can always establish an overlap between a keep-clear boat and a continuing obstruction. The keep clear boat must simply keep clear.

Note: rule 19.2(c) does not apply if the boat astern has the right of way. Furthermore, until the moment the overlap is established, rules 10 or 12 will apply between the boats.

A vessel under way, including a boat racing, is never a continuing obstruction (definition Obstruction).

F 16 Propulsion

Like mark touching, a breach of rule 42 can be the subject of protest or umpire-initiated penalties. Umpires should have no doubt that a rule has been broken before penalising.

Prohibitions that are single actions (such as ooching) would normally require to be observed more than once before penalising. After the first action the umpires should watch for another action, then carefully discuss and agree there has been a breach of the rule, before penalising.

However, a clearly prohibited action should be penalised immediately if it results in an obvious advantage. For example, when a boat pumps to establish an overlap at a mark or at the finish, she should be penalised.

Prohibitions that need to be repeated actions would normally require being of sufficient duration to draw the attention of both umpires before penalising.

When a boat is behind and obviously already losing, she should nevertheless be penalised if she breaks rule 42.

For more information on propulsion, see the ISAF Judges Manual and the ISAF Rule 42 Interpretations.

When possible breaches are seen, but there are some doubts, a general warning could be posted for the next day.

Class rules may change rule 42, so the current version of such a class rule must be discussed at the initial umpire team briefing, unless the sailing instructions states that class rules do not apply.

F 17 Finishing Line Incidents

There are times when a boat has finished, yet a penalty needs to be signalled. The signal should still be given, even if the boat is sailing away from the finishing line, as the boat has not finished until she has taken her penalty. As the finishing vessel may not be aware of the penalty, the umpires need to monitor the finishing position for the penalised boat and consult with the finishing vessel immediately.

F 18 Damage from Contact

Damage caused to a boat cannot be red-flagged, and penalties for damage cannot be imposed during a race. If the umpires think there may have been damage, they should display a black flag and take the incident to the protest committee, either on the water or ashore, after the race. The hearing is to establish whether there has been a breach of rule 14.

F 19 Incidents with a Boat in Another Race

Incidents between one of your boats and a boat in another race may be protested. All such possible incidents should be observed closely. In incidents where both boats concerned are being umpired, the umpire whose boat has broken a rule shall signal the penalty. If it is clear that the other boat is not being umpired, then the umpire whose boat was involved should signal the penalty. If neither boat is being umpired, then the umpire best sighted should signal the penalty and ensure that all the other umpires are aware of his decision. These situations can be very confusing for competitors as they often are unclear as to whom to ask for a decision. If it is clear that none of the umpires saw the incident it should be green-flagged. When an umpire has witnessed an incident not involving "his" boat and can with certainty make a decision, there is a simple signal to pass on responsibility. One umpire boat may communicate to another that he can make the decision (pointing at himself), and the reply from the other umpire (to say: please make the decision on my behalf) will be to point at the other umpire. The other umpire then signals the decision. If the other umpire does not receive such signal he should not make the call. The important issue here is that the actions of an umpire are not limited to an assigned race or boat.

F 20 Arm Signals

Appendix D does not require arm signals, but the following are helpful especially in keelboats:

1. The chief umpire should, at the competitors briefing, recommend adopting the match race hand signals in C2.7 (Room to tack/you tack).
2. When a boat acknowledges a breach it is helpful to raise an arm clearly and call to the umpire and the other competitors to acknowledge the breach.

F 21 Gaining an Advantage

Sometimes breaking a rule and either making a voluntary penalty turn or getting penalised leaves a team in a better position than they would have been if a rule had not been broken. In such cases the umpires have two options: either to signal additional penalty turns or to black-flag.

The additional penalty turns are to give redress to the other team. A penalty should result in a disadvantage to the penalised boat relative to her opponent team, and if this is not achieved by a one-turn penalty, then rule D2.2(d) allows the umpires to give a further penalty turn (or more than one further penalty turn).

It may be that the right-of-way boat is so damaged by the boat that broke a rule, or is capsized, or the opponent's team positions are such that no matter how many penalties

are given to the other boat, her team will still win the race. In this case, the boat at fault must be black-flagged, so that a point penalty can be added ashore.

Umpires need to be aware of the combinations at all times on the course so that proper redress can be given in such incidents.

F 22 Breaches of Sportsmanship

Sportsmanship is difficult to define, but the following are generally considered to be breaches.

1. A port tack boat calling for room to tack for a starboard tack boat, the other boat tacking and then the leeward boat bearing away astern of the boat on starboard tack.
2. Knowingly hitting a mark and sailing on.
3. Knowingly hitting a boat on her own team and sailing on.
4. Intimidation/bullying including calling starboard when on port.

Additionally foul language addressed either to other competitors (including team mates) or to officials.

Umpires do not have to tolerate any form of abuse, but turning a blind eye in moments of stress may be a more helpful approach. It is usually more helpful to speak to competitors about such breaches away from the incident (in both time and distance).

F 23 Other Penalties Initiated by Umpires

Penalties can also be given for not taking, or delaying the taking of the correct penalty (rule D2.2). It is important to note that umpires may only penalise a competitor for not taking a penalty correctly if the penalty was signalled by an umpire. Incorrect penalty turns made voluntarily may not be further penalised, unless further protested by a competitor.

F 24 Red/Yellow Flag Displays

Rule 61.1(a) and D2.1(b) requires a red flag to be displayed immediately. It is reasonable that a flag shown later than 10 seconds after an incident should be green-flagged. If there is an incident, it is reasonable for the umpires to allow a boat to complete any immediate manoeuvre before expecting the boat to display the red flag, as long as they can clearly identify the incident.

Umpires should expect the display to be clear and should not respond to a tentative display. A crew seriously believing that a rule may have been broken must be expected to leave no doubt that they are seeking a response from the umpires.

Should a second incident occur before the umpires have signalled the first decision, then the crew must wave the red and yellow flags again, and must unambiguously draw the attention of the umpires to the second protest.

In these cases the umpires must respond to each protest. For example, whistle - red flag, wait 2 seconds, whistle green flag (hailing the number of the boat, pointing at it and if possible giving a very short explanation "Red flag number 3 at mark..... green flag number 6 no breach").

If a boat is involved in two incidents in quick succession and then makes one protest, the umpire should hail the protesting boat to confirm which incident she is protesting before making a decision. "What are you protesting?" or similar is sufficiently ambiguous and open.

F 25 Taking Penalties

When a boat is penalised, the non-driving umpire needs to watch carefully as a boat takes a penalty. A boat making a penalty turn shall keep clear of one that is not, so the umpires need to establish when the boat starts and completes the penalty.

When a penalised boat fails to meet a requirement of rule 44 (which could be just one turn), she has not taken the penalty. The umpires will then have to give her another penalty for failing to take her penalty as soon as reasonably possible.

F 26 Contact between team mates

When contact occurs between team mates which is not exonerated, an opponent boat or the umpires may protest. Either boat may elect to make the penalty turn, but if a yellow flag is displayed, or if an umpire initiates the penalty, the umpire should penalise the boat that broke the rule.

F 27 Black Flag Breaches

Umpires should use the black flag whenever it is appropriate.

1. Rule 28 (Sailing the Course)

Should the umpires see a boat breaking rule 28, they should only black-flag after the finish of the race, otherwise they may be deemed to have given outside assistance.

2. Rule 14 (Avoiding Contact)

If there is contact that may have resulted in damage or injury, the umpire should black-flag the incident. After the race, if there is time, quickly check the boat(s); if the umpire is certain that there was no damage or injury, they may decide to take the issue no further. If there is damage or injury or any doubt, then the incident should be reported to the Damage Officer and on his/her decision a rule 14 hearing will be held.

3. Failure to comply with an umpire's decision.

This refers to a deliberate decision not to comply with the signalled penalty. The umpire must be certain that the competitor knows that they have been penalised (if needed they must signal again and call their sail number), and that they have had an opportunity to make their penalty turns. It is best to give a generous opportunity, but once convinced that the competitor has decided to ignore the penalty, the umpire should fly the black flag and sound a whistle. It is important to note the relative positions of the teams at this point, as the protest committee may need to reverse the result of the race.

4. Rule 2 (Fair Sailing)

Imposing a black flag in these incidents means that the umpire is uncertain that the actions of a competitor complied with the commonly held views on sportsmanship. Repeated frivolous protests are generally also considered "unfair" or "unsporting". Deliberately allowing or pushing a boom out to hit a boat that was otherwise keeping clear, or swinging a rig to windward to hit an opponent, are all considered unfair. An umpire may penalise a boat with a red flag, but may also decide to bring the incident ashore by signalling a black flag.

5. Gaining an advantage that cannot be redressed on the water.

Where an umpire feels that a competitor has or may have gained an advantage from a breach that cannot be redressed by giving the competitor additional penalty turns, the umpire should signal this with a black flag. Typically this happens at mark roundings, where the boat that breaks a rule gives its team a winning combination, and although they may be doing turns in last place, the race has been won, and no amount of additional turns to the boat that broke a rule take away the advantage the team has gained by the breach.

PART G

UMPIRE POSITIONING

G	UMPIRE POSITIONING	2
G 1	During the Pre-Start Manoeuvres	2
G 2	Approaching the line to start	2
G 3	At the Starting Signal	3
G 4	Windward Legs.....	3
G 5	The Windward Mark	5
G 6	Team strategy at a windward mark.....	6
G 7	Touching Marks.....	10
G 8	Reaching	10
G 9	The Run	11
G10	The Leeward Mark 1	12
G11	Leeward Mark 2.....	13

G UMPIRE POSITIONING

Equal in importance to knowing the rules is good positioning of the umpire boat. Unless umpires are able to see an incident up close and from the proper angle, they may not be able to make the right call. In some situations, there can be two critical angles, but one will be more important than the other. Good positions are explained below. As umpires gain experience they will develop their own positioning.

Measure of success: If you haven't been told you are too close, you are probably not close enough.

G 1 During the Pre-Start Manoeuvres

In most sailing instructions the racing rules apply from the two-minute signal. Umpires should attempt to loosely follow their boat during the pre-start, but with no proper course and as many as nine boats manoeuvring it can be difficult to be in the correct position all the time. Because penalties have to be taken immediately, competitors tend to be relaxed in making penalty turns and often use a penalty as an excuse to throw off a tailing boat. (Remember, while a boat is making a penalty turn the other boat may not change course if her only purpose is to interfere with the boat making a penalty turn (rule 23.2)). Keeping close to your boat provides a policeman effect.

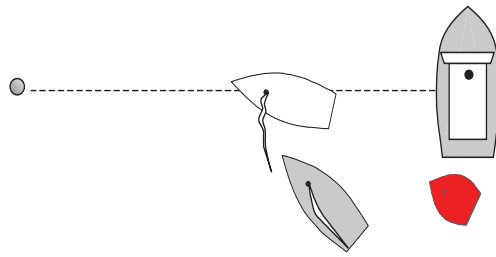
The most important boat v boat relationships to note at this stage are overlaps, and how they were established, as they are carried forward after the starting signal.

G 2 Approaching the line to start

With 30 seconds to go, most team racers break off individual pre-start duels and return to the line to start. At this point umpires should:

1. Establish whether the boat is approaching the line to start. If so, rule 18 no longer applies.
2. Confirm their understanding of how any overlap was established.

As boats wait near the line ready to start, opponent boats may come in to leeward from astern, and try to push the other boat on and to windward by luffing. The umpire needs to be positioned astern with the gap visible, although not so close that the umpire boat obstructs other boats starting. Also boats that arrive early can gybe out and space needs to be kept to allow this to happen, particularly at the pin. Should an umpire boat get in the way of other boats, then the driver should stop the boat and hold his arms out horizontally and call "Obstruction" ("sorry" is also appreciated).



Standing up in the boat allows umpires to get a good view of overlaps and helm responses. The umpire boat should never get so close that the leeward boat is unable to tack (or even gybe) out.

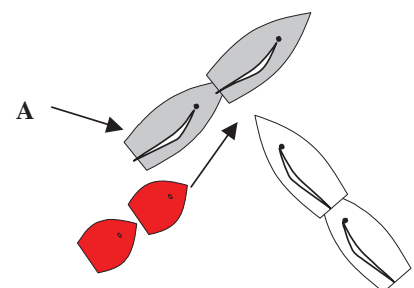
It seems a natural tendency for boat drivers to turn their boat towards the sailboats, as if the umpires can only look dead ahead. The umpires should be equally effective no matter which direction the boat is headed. If an umpire boat needs to turn 180° to continue to follow a pair, it is better to make this turn in the direction away from the competitors and away from the starting line. Dinghies can typically circle far more tightly than umpire boats.

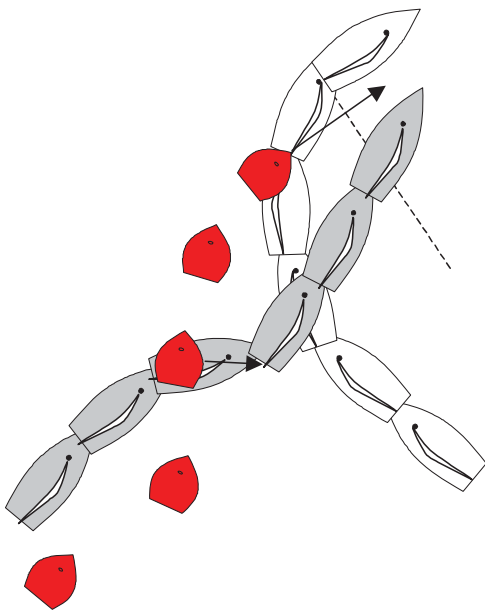
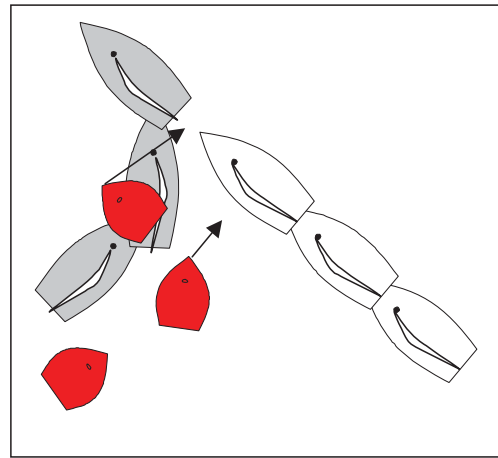
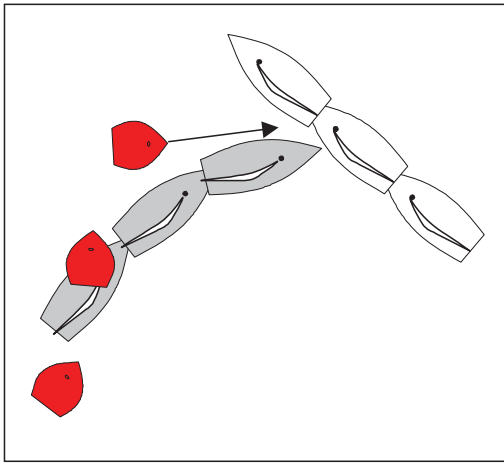
G 3 At the Starting Signal

At the starting signal, a new rule for the purpose of sailing above proper course comes into effect, as there is now a proper course (rule 17). The umpires need to bear in mind how an overlap that exists at the start was established, to know if the leeward boat has the right to sail above her proper course. If you are umpiring the windward pair, make certain you give space for a leeward starter to tack onto port between you and your pair.

G 4 Windward Legs

In general, the umpires will follow their boat up the course, but when boats converge the umpires should position themselves slightly to leeward. If following boat A on port tack, it is important to see if she can cross ahead of the boat on starboard tack. If A tacks, to see whether she breaks rule 13, or, if she ducks, the umpire boat must move to windward to ensure there is no contact. During these manoeuvres, the second umpire must be in a position to see the helm of the starboard-tack boat for rule 16.1 and rule 16.2 breaches. In these circumstances standing up really improves the accuracy of the umpire's perspective.



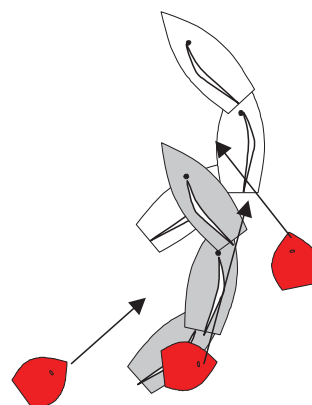


4.

When boats on opposite tacks cross and one tacks, the leeward boat can take advantage of the wording of rule 17, either to prevent the tacking boat from completing her tack, or engineering a situation where the tacking boat fouls the leeward boat. From the moment the tacking boat (White) passes through head to wind she is the keep-clear boat, so if Grey changes her course she must give White room to keep clear. While White is on starboard (up to position 4) Grey must keep clear, but as long as she does this she may change course as she pleases. The normal play is to bear away astern of White (keeping clear) and then point up hard and centre the tiller in position

When White passes through head to wind she is keep-clear boat. If Grey thereafter has not changed course, then White may have a problem. The umpires need to be positioned to see Grey's tiller movements and also whether White is keeping clear. Both require the umpires to be astern of Grey (to see the tiller movements as well as the subsequent gap between the two boats). If you are following White you will not see the incident, so if you think there is going to be a covering tack, you need to accelerate to get astern of Grey.

Once the boats are on the same tack, the umpire boat should be positioned just off the windward quarter of the leeward boat. This allows a view of the gap between the boats, and if a tacking duel begins, the umpire boat can quickly move to the other quarter. While moving astern of the boats, the umpires need to keep a close watch on the bow of the tacking boat, especially if it has a fender, as contact may occur.



G 5 The Windward Mark

This section is written using a starboard hand windward mark.

Correct positioning is very much a function of the tactics that are likely to be used. A significant proportion of penalties are incurred at windward marks, so it is especially important to anticipate the moves and to be in the right place.

If your boat is part of a losing combination or a marginal combination that can be improved by slowing a boat astern, then the mark is likely to be used to achieve this aim.

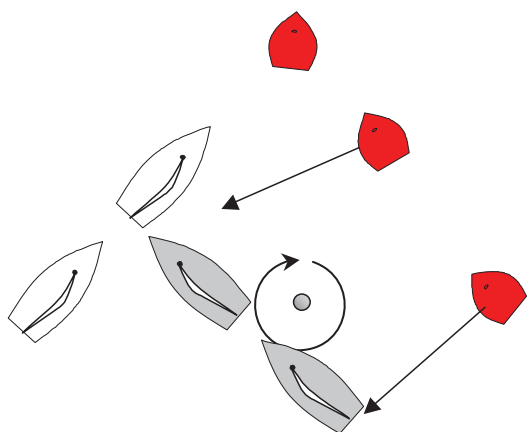
There are a number of important points to consider. You must be positioned to judge correctly:

1. Whether a boat has tacked within the zone such that it may be subject to rule 18.3 or D1.1(b). On a starboard rounding that would mean tacking from starboard to port either ahead or into an overlap on a port-tack boat fetching the mark.
2. When your boat enters the zone and whether it is overlapped at that time.
3. That inside keep-clear boats are given sufficient room, but do not take too much room.
4. That right-of-way boats do not break rule 16 (Changing Course), including 16.2 when it applies.

In general, umpires should position themselves outside the laylines on the approach to the windward mark, and be prepared to look backwards into the gap between boats, especially when they are luffing beyond the mark.

G 6 Team strategy at a windward mark.

Teams will generally split to have one boat coming in high on port tack and the other two on starboard tack. The port-tack boat will look for one of four options:

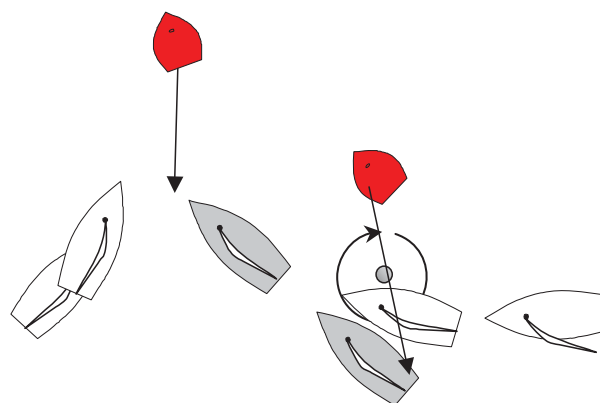


1. Sail fast across the bow of any opposition boat on starboard tack.

In this case, the umpire must be positioned to watch the starboard-tack boat for any rule 16.1 breaches (hunting), and then move to check that the port-tack boat keeps clear. Turn to windward to avoid the boats at the end of this manoeuvre.

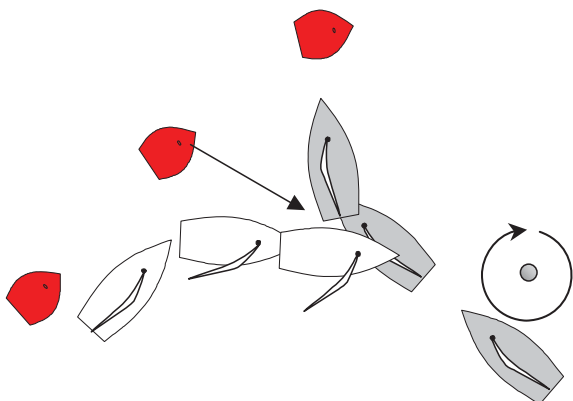
2. Slow on port to tempt the starboard tack boat to sail away from the mark to allow a team mate through.

The boat on starboard is likely to tack off to defend her position, so the umpire needs to be in a position to know whether the tack was to avoid a collision with the boat on port or to maintain her tactical position. The tack in itself is likely to be a point of contention with the second white boat. Again, it is often best to be to windward, as it allows you to see the key points, course alterations and whether the tack was necessary to avoid a collision or simply a tactical move.



3. Bear away down the side of the starboard-tack boat to pass astern.

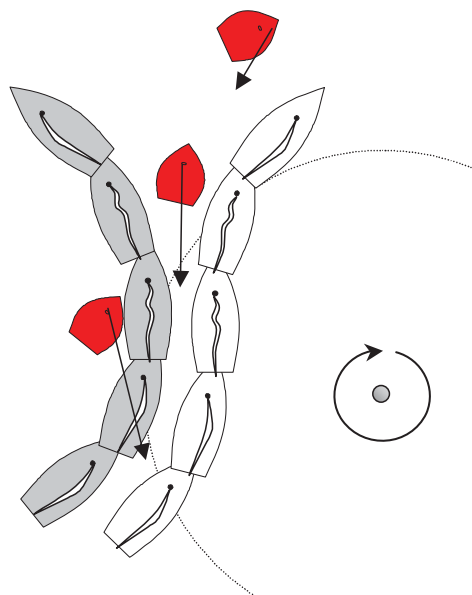
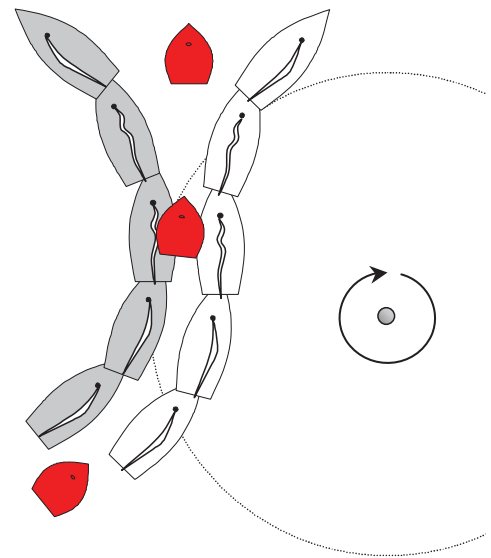
During this manoeuvre the umpires need to ensure that the port-tack boat is at all times keeping clear. If the starboard-tack boat changes course, then rule 16.2 considerations become important.



Finally, if the starboard-tack boat tacks, the port-tack boat is likely to become right-of-way boat. Under 18.3(b) the boat that tacked inside the zone shall give room if the other boat becomes overlapped inside her. The umpires need to see into the gap as White ducks Grey, and then move quickly to see that Grey keeps clear of White as she rounds the mark. Being inside the "V" (i.e. to leeward of the mark) is not an issue if you are following the last two boats...but certainly should be avoided if it is any other pair.

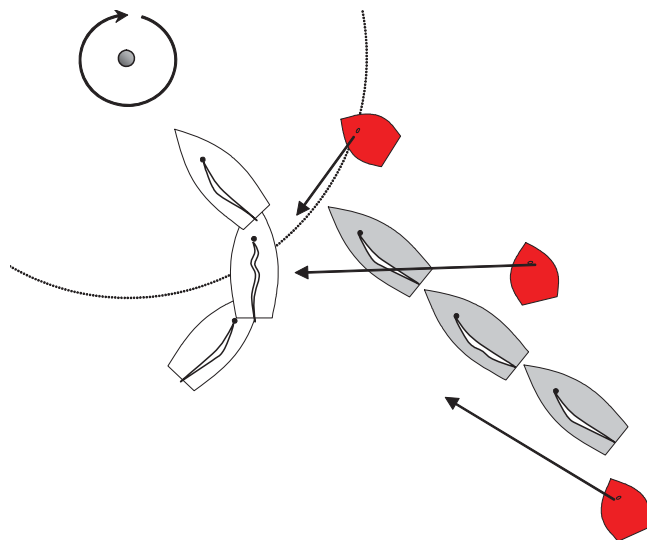
4. Luff an opponent port-tack boat

Any inside leeward boat with luffing rights may exercise these rights at any mark, and is not restricted by rule 18 in doing so. As in all upwind "luffing matches" the windward boat will try to break the overlap by a very rapid change of course to windward. Umpires need to ensure they do not obstruct this move. In some cases the windward boat may tack and gybe out... again the umpires need to anticipate the move and keep clear. While the diagram suggests following from astern, this is only an option with the last pair. For the leading and middle pair, the umpires are best stationed to windward looking backwards into the gap...this also avoids a frantic going astern should both boats decide to gybe out.

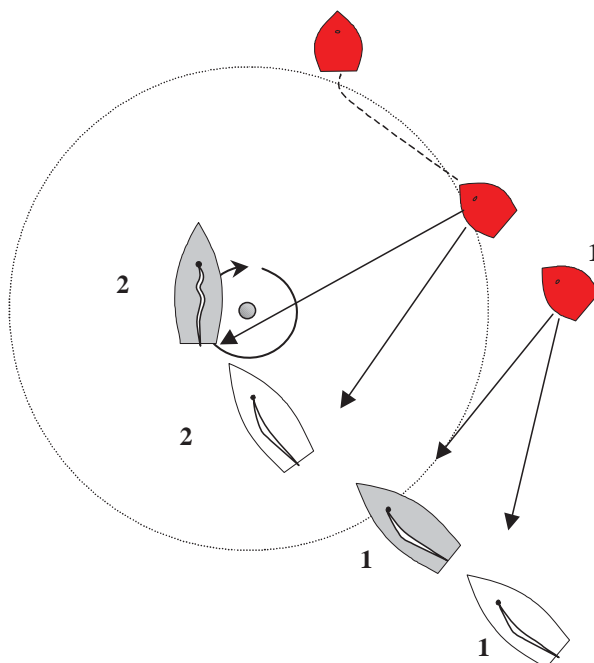


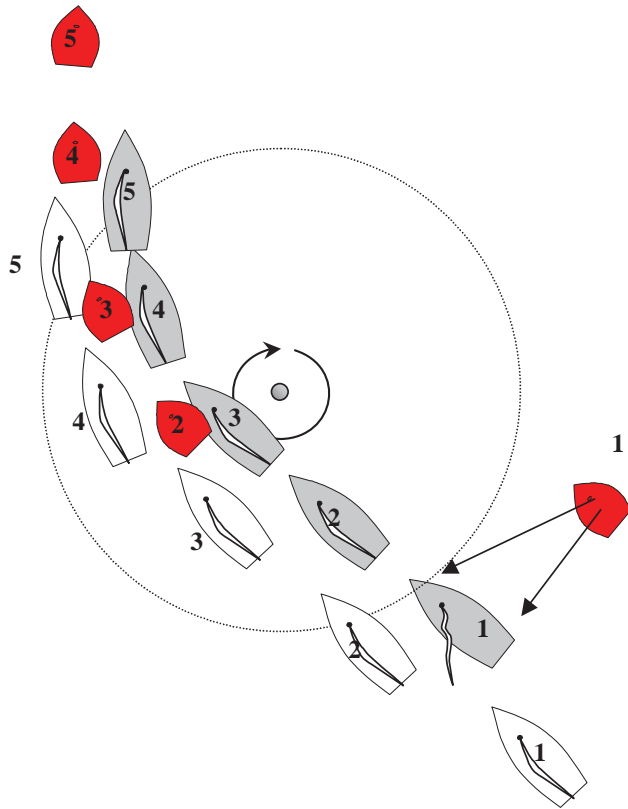
The following scenarios illustrate approaches on starboard tack, with the umpire boat following the grey boat.

In the first scenario the umpires need to ensure that the port tack boat does not break rule 10, 13 or 18.2(a). Moving up on the outside is the sensible course if the umpires are following a leading boat, but if there are boats to windward or on the first offwind leg, the umpire boat needs to move to the port side of the boats.



In the second scenario, the umpires need to establish if there is an overlap when the grey boat reaches the zone. If Grey is clear ahead, White must keep clear until Grey passes head to wind. Having followed the boats into the mark, the umpire boat should move to windward to avoid the boats as they pass the windward mark, and yet be ready for the next leg. When Grey passes through head to wind, White will often change course in such a way that Grey is unable to keep clear. The umpires need to be positioned to see any changes in course, and to see if these changes prevented Grey from keeping clear.

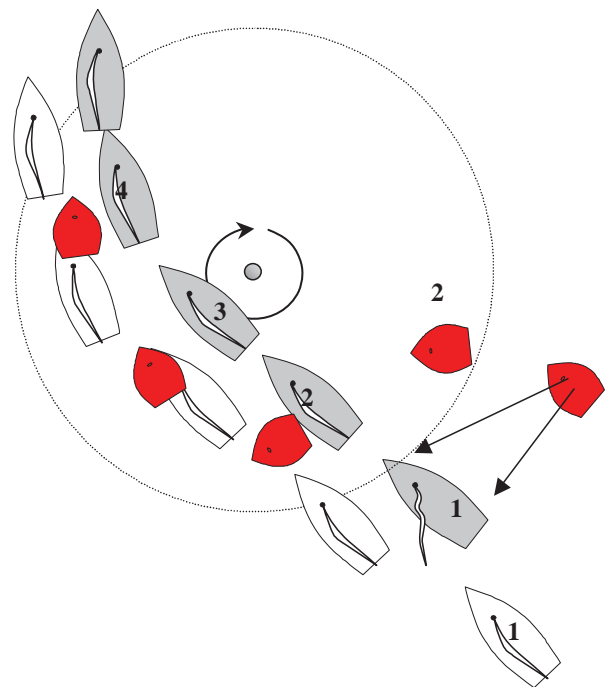




In the scenario on the left, where the leading boat is waiting to sail the white boat past the mark, it is important that the umpires are in position to see when the grey boat enters the zone and when White becomes overlapped. At about position 4, Grey no longer need mark-room and must simply keep clear. White as the right-of-way boat may luff to head to wind because her proper course is to tack. Being ahead of the boats is ideal, as the umpires can see the gaps clearly. Moving from position 1 to position 2 need to be done with consideration, especially if the umpire boat makes wash/wake.

When it is not possible to move to clear ahead because of other boats, the options are to move astern if at all possible or, at worst, stay in position 2. As the umpired boats approach the windward mark, the umpire driver needs to assess likely congestion to determine which side to place himself. There is nothing wrong in having more than one umpire boat to windward of the mark. The key thing is to ensure that you are positioned to judge

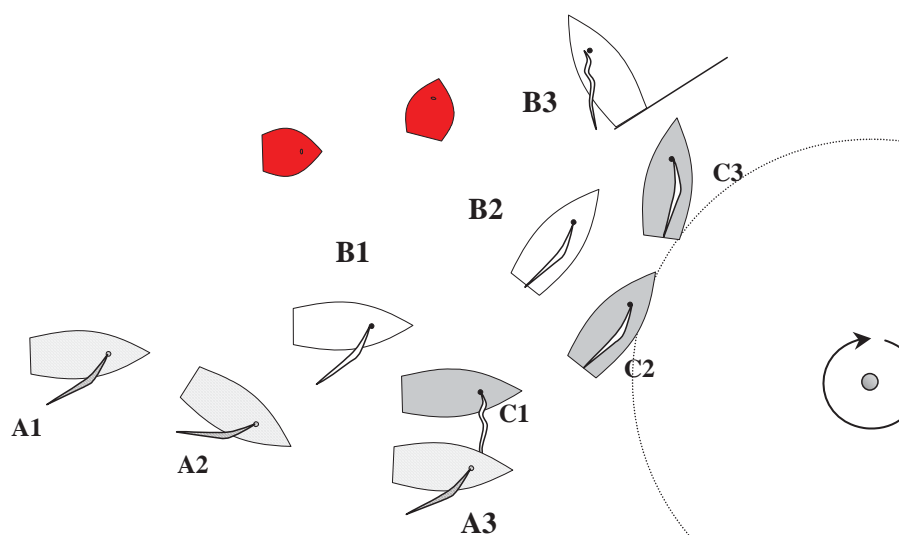
- 1 if there is an overlap at the zone;
2. if White keeps clear and gives mark-room;
3. when mark-room is no longer needed, and
4. whether, Grey, from that point, actually keeps clear.



G 7 Touching Marks

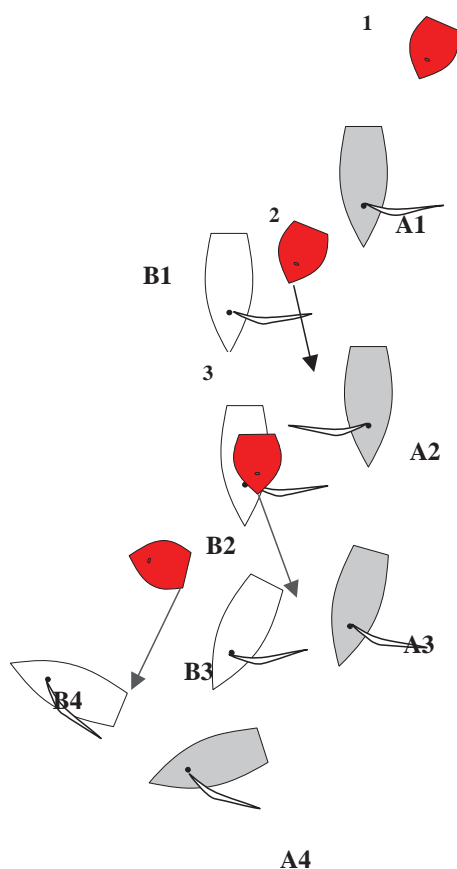
When boats are rounding close together there are probably more important matters that dictate positioning. If such position also gives a good angle for any possibility of a mark touch, then that is an added bonus. However, good positioning to watch for Part 2 incidents take precedence. The exception is if the team that is not umpired gets a breakaway winning combination, then it is helpful for one of the umpires to follow the leading group, to watch for mark hitting and contact between boats on the same team.

G 8 Reaching



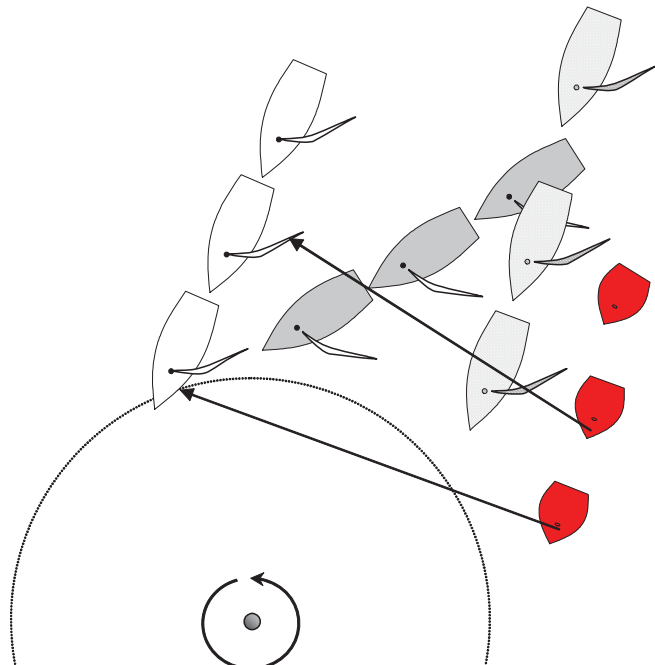
The most common tactic on a reach is a pass-back using luffing. In this instance the grey boat (C) is luffing the white (B) to let team mate boat (A) through. The umpires need to be positioned to be able to see the build up of overlaps, the zone, and finally to see if White tries to break the overlap by a quick luff. The problem of the windward position is getting in the way and not being able to see the gap between overlapped boats clearly. The leeward position is fine until the boats go round the mark, after which they may gybe back onto starboard. Generally the windward position is favoured, but umpires must be aware that both B and C might be luffing, so they need to keep well clear. If the umpires are to leeward when the next leg is a run, or to windward when the next leg is a beat, head towards the mark for minimum interference to the fleet and be prepared to get out (quickly).

G 9 The Run



The run is one of the most tactical legs in team racing. In this case the grey boat establishes an overlap from clear astern, then double-gybes to gain luffing rights and then luffs White to let a team mate (not shown) through. White luffs harder to break the overlap and force Grey to resume her proper course after she (White) has come down and re-established the overlap. The umpire needs to ensure that the changes of course by Grey comply with rule 16.1, that White is keeping clear, and finally whether, when White claims she has broken the overlap, she actually has broken it. The ideal route is to cross astern keeping the gap in view, but still getting in the right position to see if White does break the overlap. It is very easy to be trapped on the wrong side of these duels, especially if there are other boats following closely. Whenever it is necessary to cross the path of other boats great care needs to be taken with wash. Finally consideration has to be given to which side the next mark must be left. The umpire boat needs to be inside at the mark. In light conditions, or if umpires have good radio contact, swapping boats is possible **BUT** if there are issues with luffing rights then this may be problematic.

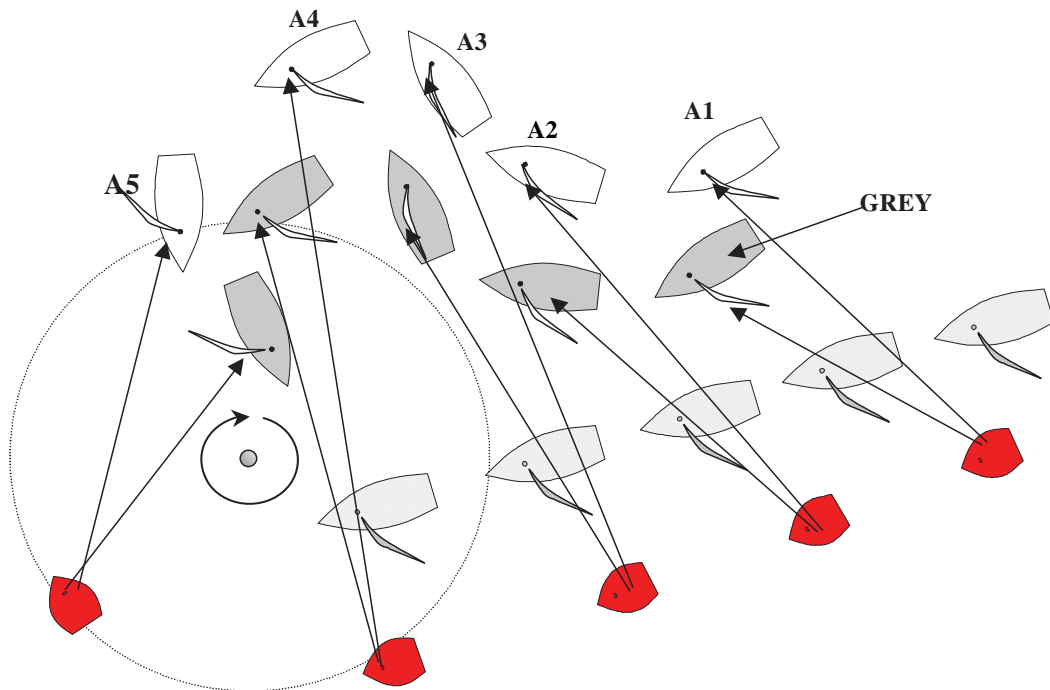
G 10 The Leeward Mark 1



In the scenario above, the black boat is being umpired and the light grey boat is a team mate. The key points that need to be observed are: overlaps at the zone, compliance with rule 16, failures to keep clear and any rule 18 breaches. It is not possible to be in the right position to see all of these, but being to windward can prove distinctly embarrassing should Grey luff White vigorously.

The leeward position is probably the best compromise....although the umpires need to move below the rhumb-line to the next mark quickly in case the lead boat coming around the mark luffs up.

G11 Leeward Mark 2



This manoeuvre, which is very common on the last reaching leg, shows Grey not only trying to effect a pass-back, but also trying to protect an inside position at the mark. The need for the umpire boat to be on the leeward side is clear, thus the need to get in the right position from the previous mark. By keeping to leeward it is hard to judge separation and when boats enter the zone, but the final rounding of the mark is well sighted. Being on the outside means that the umpire boat does not obstruct the boats as they round up onto a close-hauled course, and it is generally reasonably easy to get back on station with the umpired boat as it rounds. Should the grey boat chose to tack onto port, the umpire boat should reverse course by turning outwards and pass to leeward of the other boats.

PART H

UMPIRING IN AN IMPERFECT WORLD

H	UMPIRING IN AN IMPERFECT WORLD	2
H1	Single Boat Umpiring - One Umpire	2
H2	Two Umpires - one Umpire Boat.....	5
H3	Two Umpire Boats.....	5

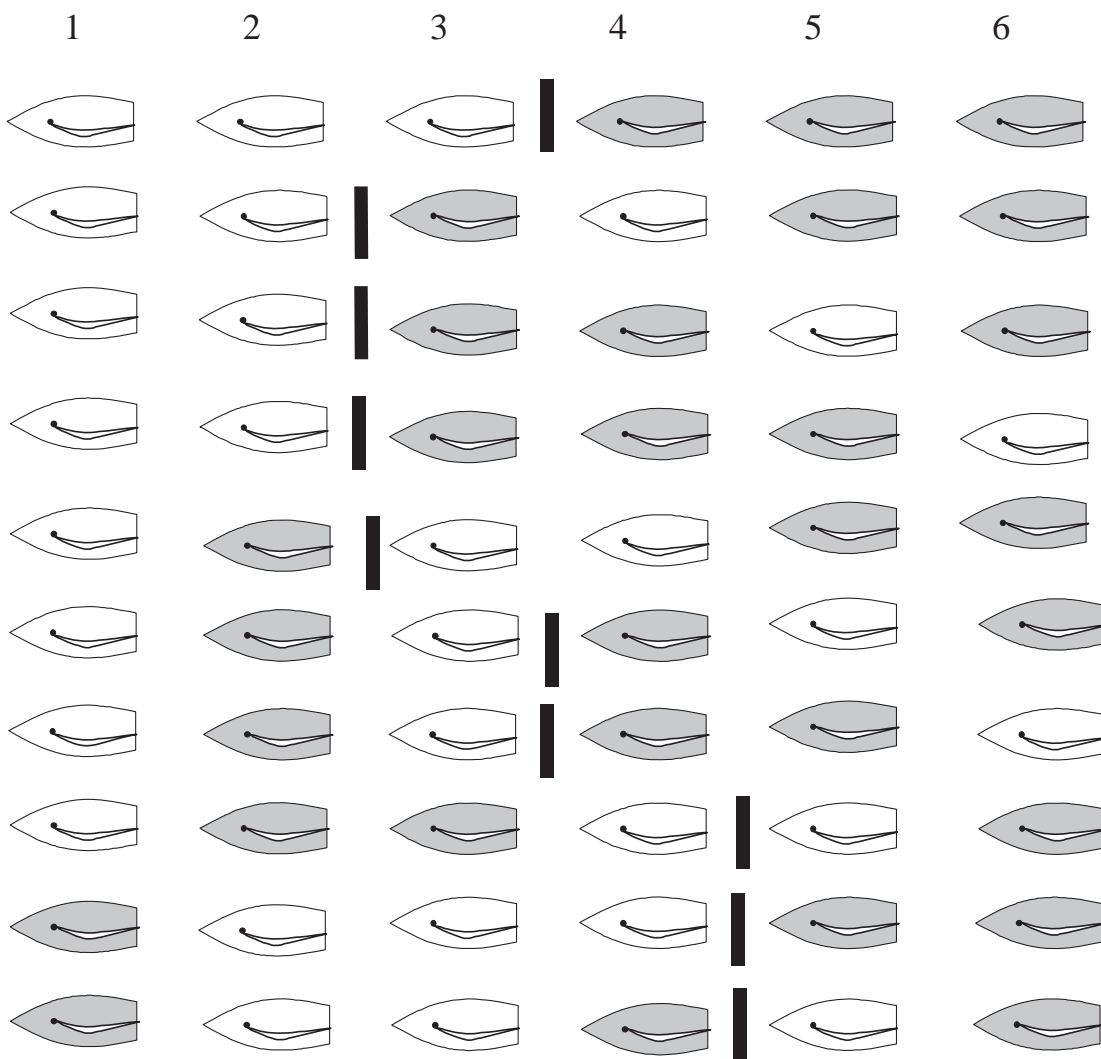
H UMPIRING IN AN IMPERFECT WORLD

H1 Single Boat Umpiring - One Umpire

Sorry folks but this is very common, and is harder than three-boat umpiring. However, there are a number of things that can make you as effective as possible.

1. Most teams use one of two approaches when team racing.

a. Mind the Gap



In each of the various combinations, an exchange of places at the gap significantly improves the position of the losing team, so the objective of the winning team is to widen the gap to make this jump less possible. Clearly the opposite is true for the losing team. The umpire needs to be stationed to see this action.

- b. Win your pair. This is favoured by many USA teams and those who sail in shifty conditions. The key is to be up and remain up in two pairs. The action will as a result be spread around the race course, but a losing boat in one pair will tend to attack the controlling boat in another pair, so again the umpire needs to be watching for this critical move.
2. Be where the breaches are most likely to happen.
- a. On the starting line most breaches happen at the committee boat end....so be there.
 - b. On the beat, keep close behind boats that are duelling.
 - c. At the approach to the windward mark, it is generally best to get to the starboard layline ahead of the fleet and follow the leading boats in.
 - d. Position yourself to windward of the windward mark to watch all contested roundings.
 - e. Move quickly along the top reach, to windward of the fleet, to catch any conversions at the first downwind mark.
 - f. The main source of breaches on the run is through luffing or rapid gybing to attack another boat on port. The key pass-back opportunity needs to be identified, and the umpire stationed nearby, being astern in the gap between the boats gives a good vantage. If you are significantly off to the side, a luff away from you is impossible to judge. Whatever the action on the run, the umpire needs to be aware what is happening at the leeward mark. If a competitor has stopped or is slowing, then you need to be there to see the overlaps at the zone etc. Whatever happens, when by yourself it is best to be inside and to leeward. Yes you will miss some bits, but hopefully you will see the key move. And your presence in itself will help greatly.
 - g. On the bottom reach you need to be to leeward of the fleet. If things are tight there will be considerable slowing, and proper course becomes a major issue. Leading boats will often go high and the boat astern is often drawn up to protect her position. Watch the courses when the boats become overlapped. The windward boat may not sail below and the leeward boat may not sail above her proper course.
 - h. The final mark can be particularly hard fought. It is very important that the umpire sees the overlaps at the zone and also the roundings. Often leading boats will try to pin the boat astern by getting them to become overlapped to leeward and then "sit" on them. The overlap is almost always established from astern, so the leeward boat does not have luffing rights. An unsuccessful attempt to tack out by the leeward boat breaks rule 17. The windward boat needs to keep very close for the manoeuvre to work, so stationing yourself in the gap is helpful

- i. On the final beat you need to be aware of the key conversion. In a 1-4-5, the boat in 5th will stick like glue to 6th. This frequently causes some very hectic action. 3rd comes back to help team mate in 6th, 2nd attacks 4th, and 1st attacks 2nd. All boats will be extremely close, as they are trying to slow each other as much as possible, and you need to be there. The key is to be close to your boat, and alert to likely manoeuvres. You need to be looking around as much as possible to see things as they change, and then getting in a position to judge.

Incidents are likely to be windward/leeward, so you need to be in a position to see the gap between the overlapped boats, and to be able to judge whether boats have luffing rights after tacks. The best position is astern of the boats, but this may not be possible if you are following the lead group.

- j. At the approach to the finish, boats in losing combinations are desperate to make a conversion by slowing an opponent and you must expect some very spectacular manoeuvres. It is important to be especially precise on calling your boat as she approaches the finishing line, and not to relax and think the race is over. You need to spot the key player and be there, and at the same time realise that a wind shift or lull can suddenly change the game and you may be needed elsewhere very quickly.
- k. Desperation is never greater than at the finish. If it is close, be there.

3. Focus on race winning/losing duels. This is highly judgemental, but there are some boat v boat actions that, if successful, will win the race, and there are others which will affect the race but can be easily rectified. For example in a 1-5-6 where "1" has sailed fast to the leeward mark and stopped at the zone to slow 2,3 and 4, it is clear that "1" will have her work cut out and that any breach by 2 or 3 or 4 will change the game. You must be there, rather than back with the 4-5 gap.

4. Saturation: With six boats manoeuvring within the zone it is easy to see many breaches, but be so saturated with data that it is difficult, if not impossible, to sort who is in the right. So despite several collisions you may end up green-flagging the lot. This will not really impress the competitors! The only way to solve this is to be rigorous in following a single boat. If you pick the "play maker", you have more chance of getting at least one call right.

H2 Two Umpires - one Umpire Boat

Life is a little easier, but not a lot.

1. Before the start, decide which team you will be umpiring. The driver takes say boat 10, the second umpire takes boat 12 and both of you will be looking at boat 11. What normally happens is that one of the three boats becomes a non issue, so you can re-allocate boats. If for instance boat 10 is a decided tail end Charlie, then the driver may switch to boat 11.
2. The driver should always follow the pair that looks most in contention. This may mean a sudden change of boats watched. E.g. "I now have boat 12, watch 11, how was the overlap established?"
3. The second umpire needs to be spotting the tactical changes, and telling the driver.
4. Red-flagging - frequently only one of the umpires has seen the incident, so getting collaboration from the second umpire is often not possible. However, a little discussion about the facts might help. "Did he give her room when he luffed", or "could she have kept clear if she changed course right away..."
5. When propulsion becomes an issue... get the other umpire to watch the boat you believe is breaking the rule.

H3 Two Umpire Boats

Life is getting easier, but now coordination of effort is the key to doing a good job. The technique outlined for two umpires in one boat is now extended:

Umpire 1 takes boat 10 and Umpire 2 takes boat 12, and both share boat 11. If you have a second umpire on board, he or she can look after boat 11. What is essential is that everyone knows who is following whom.

1. Confusion is greatest at the start, and if it looks like the boat that is not being umpired is causing all the trouble at the committee boat end, then quickly shift to that boat, but tell the other umpire.
2. Both umpires should feel free to direct the other to take over a boat. This is helpful on the beat where, if your boat is crossing in a melee, it might be better to swap. Make a clear hail "I have 10, you take 12". This may be equally important in light air, when wash from the umpire boats can truly irritate a competitor, and also downwind when it is ever so easy to get trapped on the wrong side. Passing on the boat may be easier than weaving your way through 6 angry dinghies.
3. The general rules of positioning apply. This may mean that both of you are at the same mark in the same place. This is not a problem, just try to avoid swamping the other umpire boat as you rush off.

PART J

WHO CAN PROTEST WHOM FOR WHAT

- IN UMPIRED TEAM RACING

WHO CAN PROTEST WHOM FOR WHAT

- IN UMPIRED TEAM RACES

While racing a boat may protest another boat for breaches of:

1. Rules of Part 2 (When Boats Meet), when involved in the incident (or contact between team mates on the other team)
2. Rule 31 (Touching a Mark)
3. Rule 42 (Propulsion)
4. Rule 44 (Taking a Penalty (Failure to take a penalty correctly))

Boats may not protest to the umpires during racing for breaches of:

5. Rule 2 (Fair Sailing)
6. Rule 14 (Avoiding Contact)
7. Rule 28 (Sailing the Course)
8. Rule D2.2(c) (Umpire Penalty)

Boats may take a One-Turn Penalty for:

9. Breaches of rules of Part 2 (except rule 14)
10. Breaches of rule 31 (Touching a Mark)
11. Breaches of rule 42 (Propulsion)

Boats cannot exonerate themselves for

1. Breaches of rule 2 (Fair Sailing)
2. Breaches of rule 44 (Taking a Penalty)
3. Gaining a significant advantage (Call M3)

Penalties initiated by umpires

1. Breaches of rule 2 (Fair Sailing)
2. Breaches of rule 31 (Touching a Mark)
3. Breaches of rule 42 (Propulsion)
4. Breaches of rule D2.2(c) (Umpire Penalty)
5. When a team gains an advantage despite taking a penalty.

Black Flag for

1. Breaches of rule 2 (Fair Sailing)
2. Breaches of rule 14 (Avoiding Contact)
3. Breaches of rule 28 (Sailing the Course)
4. Breaches of rule D2.2(c) (Umpire Penalty)
5. Gaining a significant advantage (Call M3)